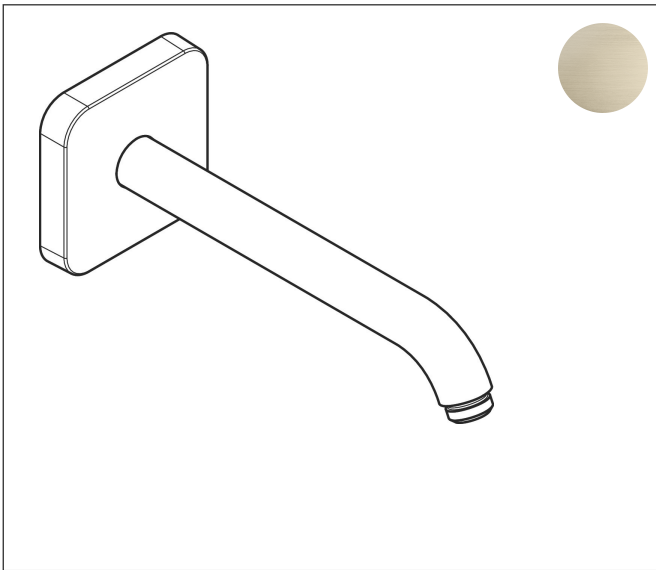


| | |
|-----------|---|
| Brand | AXOR |
| Art. Name | AXOR ShowerSolutions Showerarm 9" softsquare |
| Art. Nr. | 26968821 |
| Surface | brushed nickel |
| Pos. | 1 |

Product Picture



Features

- length: 9.06"
- Brass
- connection type: 1/2" NPT
- Showerarm, Escutcheon, Mounting Material, Assembly instructions

Drawing

