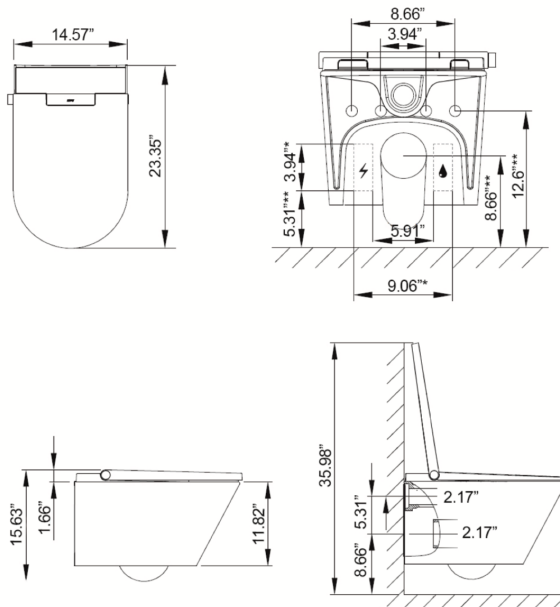


AXENT.ONE PLUS

WALL-HUNG INTELLIGENT TOILET E310-E2



*Approximate
**Will Vary



reddot design award

FEATURES

| | | |
|-------------------|--|--------------------------------------|
| Dimensions | L 14.57" x W 23.35" x H 15.63" | |
| Weight | 88.2 lbs | |
| Power Consumption | 1100W (120V, 60Hz) | |
| Material Finish | Vitreous China and Polypropylene | |
| Color | White | |
| Water Consumption | Single Flush 1.28 GPF (4.8 LPF) | Warm Air Dryer |
| Configuration | Elongated Bowl Shape | Deodorizer |
| | ADA Height Toilet Bowl | Adjustable Self-Warming Seat |
| | Manual and Remote Activated Flushing | Instantly-Warm Water Temperature |
| | Patented Tankless Technology | Adjustable shower flow and massaging |
| | Patented Airless Siphonic Flushing (AST) | Easy Clean Antibacterial Coating |
| | Intuitive Night Light | |
| | Customizable Integrated Bidet Seat | |

CODES/STANDARDS

ASME A112.4.2, ASME A112.18.1, CSA B125.1, UL 1431, CSA C22.2 64 and 678
Ultra High Efficiency Toilet (UHET) at 1.1 GPF
Highly Recommended Flush Performance

DETAILS

The AXENT.ONE Plus wall-hung intelligent toilet is AXENT's latest smart bathroom innovation. Designed by Matteo Thun, this luxurious low-profile, tankless intelligent toilet offers all the bells and whistles of modern integrated bidet toilets with the added allure of purposeful design. Boasting an astounding 8 inches of space-saving appeal, the AXENT.ONE Plus floats above your bathroom floor at a comfortable, ADA compliant height offering an easy-to-clean and convenient bathroom solution.

AXENT Switzerland

support@axentproducts.com
www.axentbath.us
1.800.769.4857

All drawings contain the necessary measurements which are subject to standard tolerances. They are stated in inches and are non-binding. Exact measurements, in particular for customized installation scenarios, can only be taken from the finished ceramic piece.