

LAMAR FREESTANDING TUB FILLER WITH HAND SHOWER

Cat. No.
7932



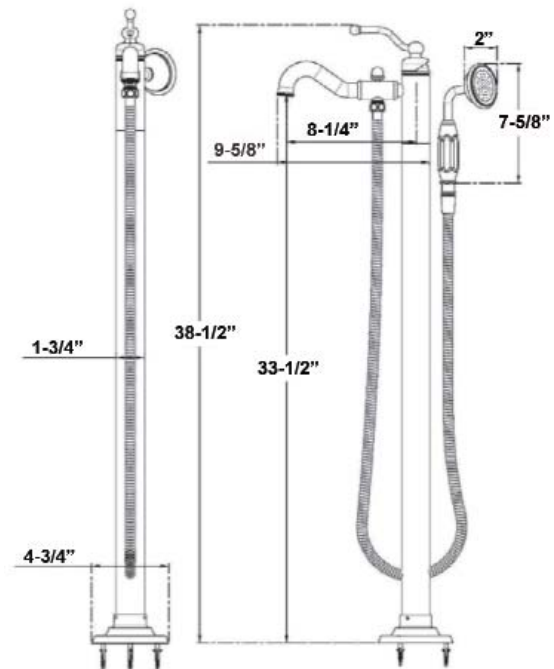
Features:

- ▶ Spout reach is 8- $\frac{1}{4}$ "
- ▶ Flow rate 5.82 GMP (80 PSI)
- ▶ $\frac{1}{2}$ " NPSM Water connection
- ▶ Solid brass construction
- ▶ 1 hole installation
- ▶ Hand held handshower flow rate 1.6 GPM (80 PSI)
- ▶ Porcelain handle on handshower
- ▶ Ceramic disc cartridges
- ▶ Includes flexible supplies for under-floor hookup
- ▶ Actual weight 10LBS
- ▶ Available in 4 finishes

Finishes:

- BN** Brushed nickel
- CP** Polished Chrome
- PN** Polished Nickel
- ORB** Oil Rubbed Bronze

D: 9- $\frac{5}{8}$ "
W: 4- $\frac{3}{4}$ "
H: 38- $\frac{1}{2}$ "



Use on concrete floors requires special installation. We recommend using a plumbing professional.

Dimensions are nominal and may vary. Dimensions and specifications subject to change without notice.