

Basket Strainer Set
122LS
Also 122-3 & 122-4

Features

- Solid brass construction
- Post Locking Style with 1" Extension
- Includes strainer body, basket, nuts & washers
- Fits 3-1/2" Opening
- Complements various product series

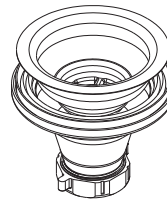
Codes / Standards Compliance

Meets or exceeds the following at date of manufacture:

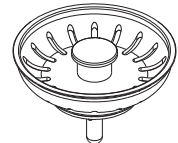
- All applicable US Federal and State material regulations

Colors / Finishes

- 10B: Oil Rubbed Bronze
- 15: Polished Nickel
- 15S: Satin Nickel - PVD
- 26: Polished Chrome
- Other: Refer to the Newport Brass catalog for additional color/finish options.



122-3



122-4

Specified Model

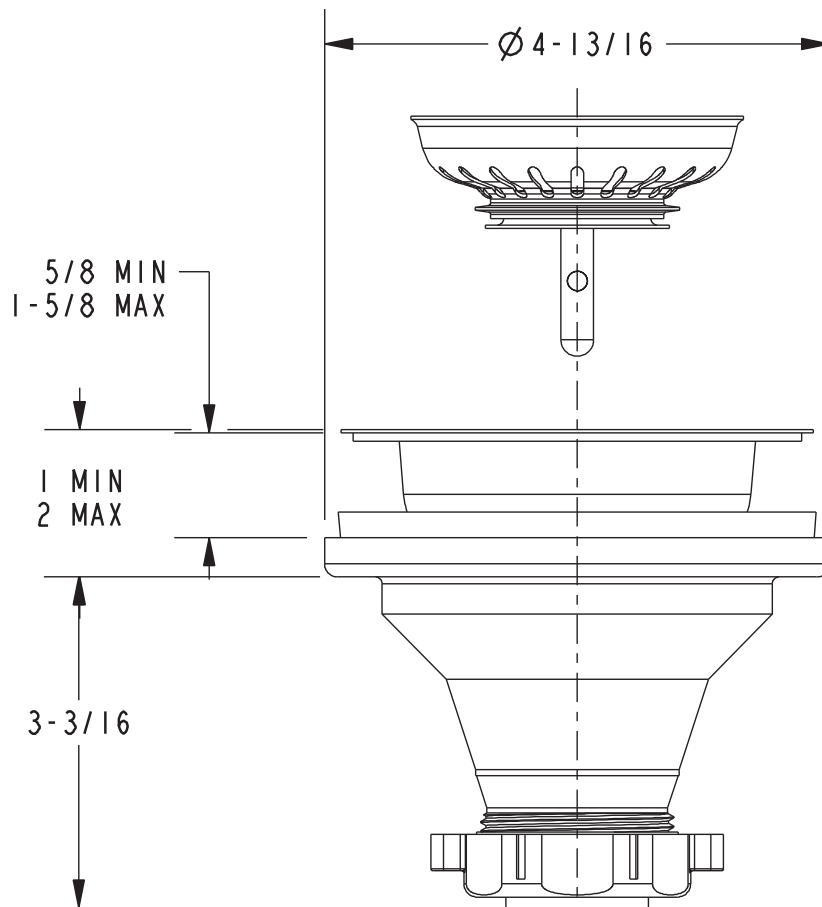
Model	Description	Colors Finishes				
122LS	Basket Strainer Set	<input type="checkbox"/> 10B	<input type="checkbox"/> 15	<input type="checkbox"/> 15S	<input type="checkbox"/> 26	<input type="checkbox"/> Other
122-3	Replacement Strainer Body Assembly	<input type="checkbox"/> 10B	<input type="checkbox"/> 15	<input type="checkbox"/> 15S	<input type="checkbox"/> 26	<input type="checkbox"/> Other
122-4	Replacement Strainer Basket Assembly	<input type="checkbox"/> 10B	<input type="checkbox"/> 15	<input type="checkbox"/> 15S	<input type="checkbox"/> 26	<input type="checkbox"/> Other

Product Specification Add "Color / Finish" suffix to Model number, below.

The Basket Strainer Set shall be made of solid brass construction. Product is designed to fit 3-1/2" openings. Product shall feature a wing nut style handle and include all necessary hardware for a complete installation. The Basket Strainer Set shall be Newport Brass Model 122__/_____.

122LS

PRODUCT DIMENSIONS *(Units are in inches)*



Newport Kitchen Basket Strainer Set 122LS