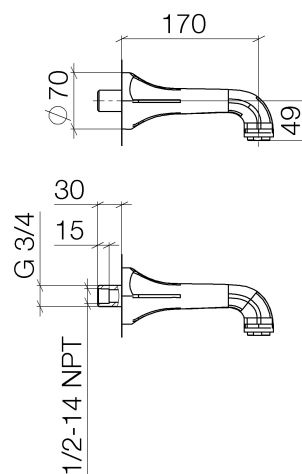




Product specifications

• **6-3/4" Projection**

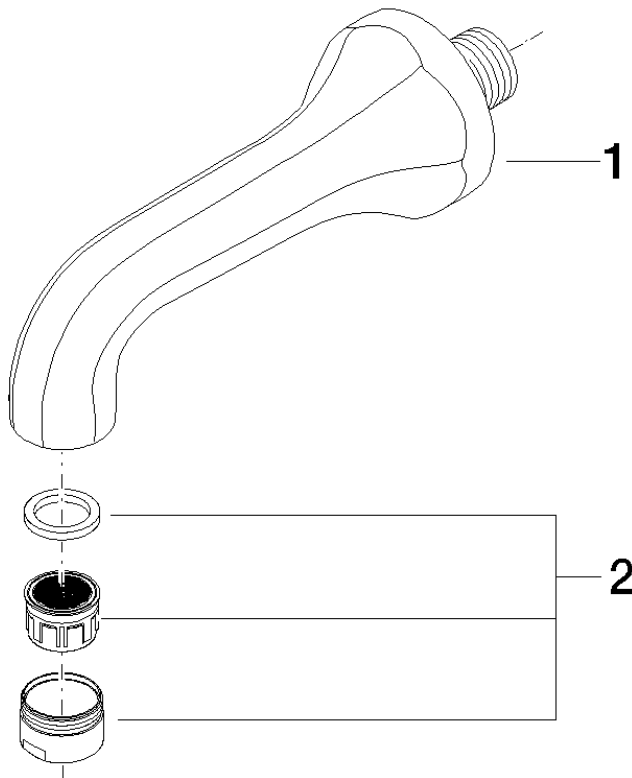
- Round aerator
- 1-1/2" hole diameter
- 3/4" connection
- Water flow rate limited to max. 6.1 gpm
- **Min. rough in depth 2-1/8"**



Surfaces

- | | |
|-----------------|-------------|
| • chrome | 13801380-00 |
| • matt platinum | 13801380-06 |
| • platinum | 13801380-08 |
| • brass | 13801380-09 |

Exploded assembly drawing





Order quantity

No.	Article number	Name	Installation quantity
1	091136090ff	spout	1
2	90230112100ff	aerator	1

Flow rate chart

