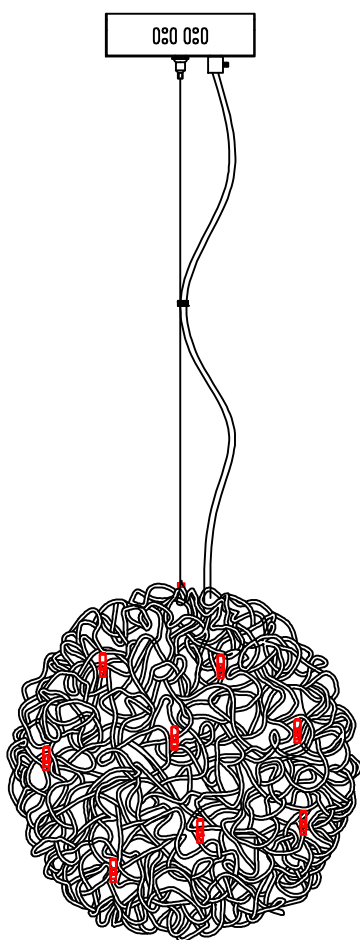




**Contemporary
Lighting™**

PRODUCT NAME: Dazed
ITEM NUMBER: E32572-PC

Please consult your electrician for hanging fixture and wiring.



The fixture is list designed to dim with an Electronic Low Voltage dimmer. Dimming levels will vary by dimmer.

Below is a list of recommended dimmers:

Lutron DVELV-330P

Lutron MAELV-600M

Lutron SAELV-153P

Leviton IPL06-10Z

Leviton 6674-POW

Legrand Teu-Universal ADTP703TUW4

Due to inrush current, wattage should not exceed 150 Watts of product for a 600 Watt dimmer.

WARNING: Wires need to be connected to transformer found in canopy and should not be connected directly to power source or a short may occur

Bulbs (Included): 8*1.2W G4LED

MADE IN CHINA

Page 1 of (2)

IMPORTANT: Turn off the power at the main fuse or circuit breaker box before starting installation



(A)
Mounting Bracket

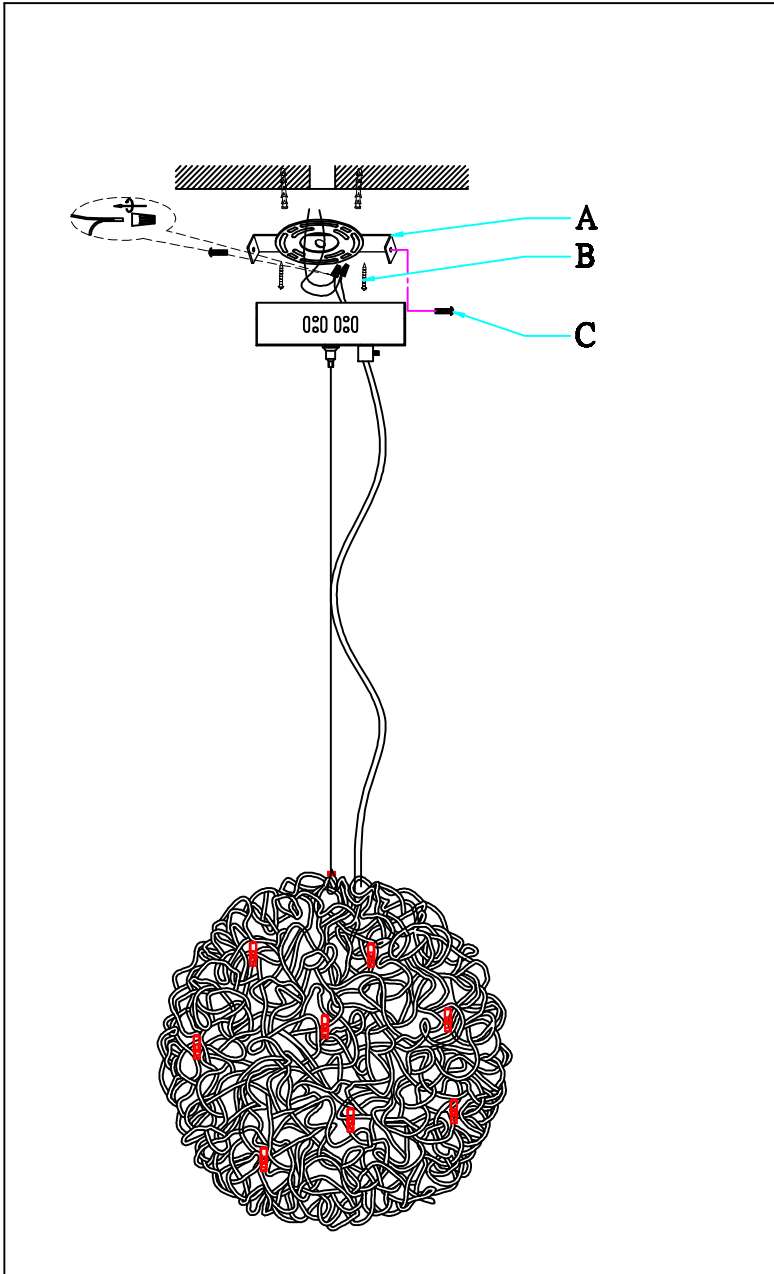


(B)
Anchor Bolts

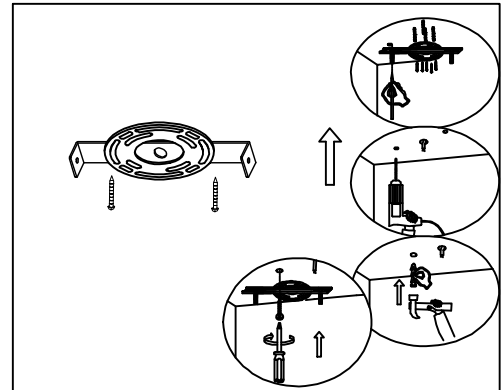


(C)
Screws

Locate all hardware & components before discarding packaging

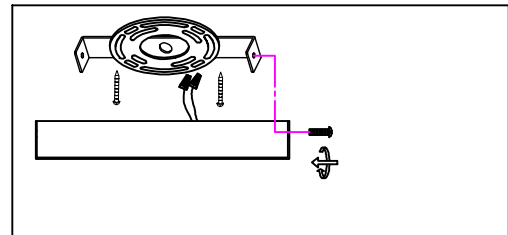


1.)



Step.1: Remove mounting bracket (A) and install to electrical box. Mark where anchors meet ceiling, remove mounting bracket from ceiling, and then drill holes using $\frac{3}{16}$ " drill bit where marked (B). Install mounting bracket and attach anchors to secure bracket at ends.

2.)



Step.2: Make wire connections. IF wires are adjusted, make sure to correctly re-wire to transformer found in canopy to mounting bracket using the screws on the side of the canopy to secure.

Cleaning & Care:

**Clean with soft cloth and a mild detergent.
Do not use abrasive cleaner.**