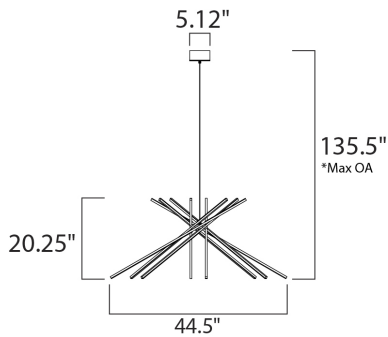




PRODUCT DESCRIPTION

Available in various shapes and colors, this collection of pendants provide a full range of streamlined, architectural design. Cast and extruded pieces of aluminum provide illumination that complement the sleek styling of commercial applications and minimalist modern design. Be it over a table or a work station, these versatile products direct lighting for both task and decorative uses.



*max overall height

MEASUREMENTS

DIMENSION : 44.5" L x 44.5" W x 20.25" H
 MAX OAH : 135.5" OAH
 CANOPY : 5" W x 2.25" H x 5" L
 HANGING WEIGHT : 11.66 lb

LAMPING

INPUT VOLTAGE : 120V
 LUMENS : 4,200 Rated (3,932 Del.)
 BULB : 8 x 60W LED PCB Integrated , 60W Total
 BULB INCLUDED : (Integrated)
 DIMMABLE : Triac CL
 CRI : 90+ CRI
 COLOR_TEMP : 3000K

FINISHES OPTION



MATERIAL

Aluminum+Acrylic

RATINGS

cETLus
 Damp Location



ADDITIONAL

ADJUSTABLE
 RATED LIFE 40000 Hours
 OPERATING TEMPERATURE:
 -20°C (-4°F), 40°C (104°F)

Always consult a qualified electrician before installing any lighting product.



WESTERN DISTRIBUTION CENTER (HEADQUARTER)
 253 NORTH VINELAND AVE | CITY OF INDUSTRY, CA 91746

EASTERN DISTRIBUTION CENTER
 4200 SHIRLEY DR. | ATLANTA, GA 30336

P. 626.956.4200 | F. 626.956.4225 | et2online.com