

## KE Sink Gun Metal 30" x 18" – U/M - 2157 866



Sinks

Code: 2157 866

PVD Gun Metal  
AISI 304 Stainless steel  
Satin finish  
Undermount



### DETAILS

<b>Series</b>	KE
Coloring	Gun Metal
Finish	PVD
Material	AISI 304 stainless steel
Texture	Satin
Edge/Installation Type	Undermount
Thickness	18 Gauge (1.2 mm)
Overall dimensions	29 <sup>17</sup> / <sub>32</sub> " x 19" <sup>21</sup> / <sub>64</sub> "

Bowls dimensions 1 bowl 27<sup>61/64</sup>" x 15<sup>3/4</sup>"

---

Bowls depth 7<sup>43/64</sup>"

---

Cut out See technical sheet

---

Waste fitting type 3 1/2" - with stainless steel basket

---

Underside Protected with heavy duty undercoating

---

Fixing system Undermount fixing kit (brass insert and clips)

---

## FEATURES

**GUN METAL** The Gun Metal finish is obtained by treating steel with a physical process called PVD (Physical Vacuum Deposition) which deposits particles of noble metals on the surface. The result is a unique and refined aesthetic effect, and an improvement of the mechanical properties of the steel which is more resistant to impact and scratches.

---

**Basket 3,5" waste fitting** The drain is equipped with a large 3.5" drain, with the practical basket cap that prevents the discharge of solid parts. The 3.5 "drain allows the use of the Foster waste-disposer, compatible with all models.

---

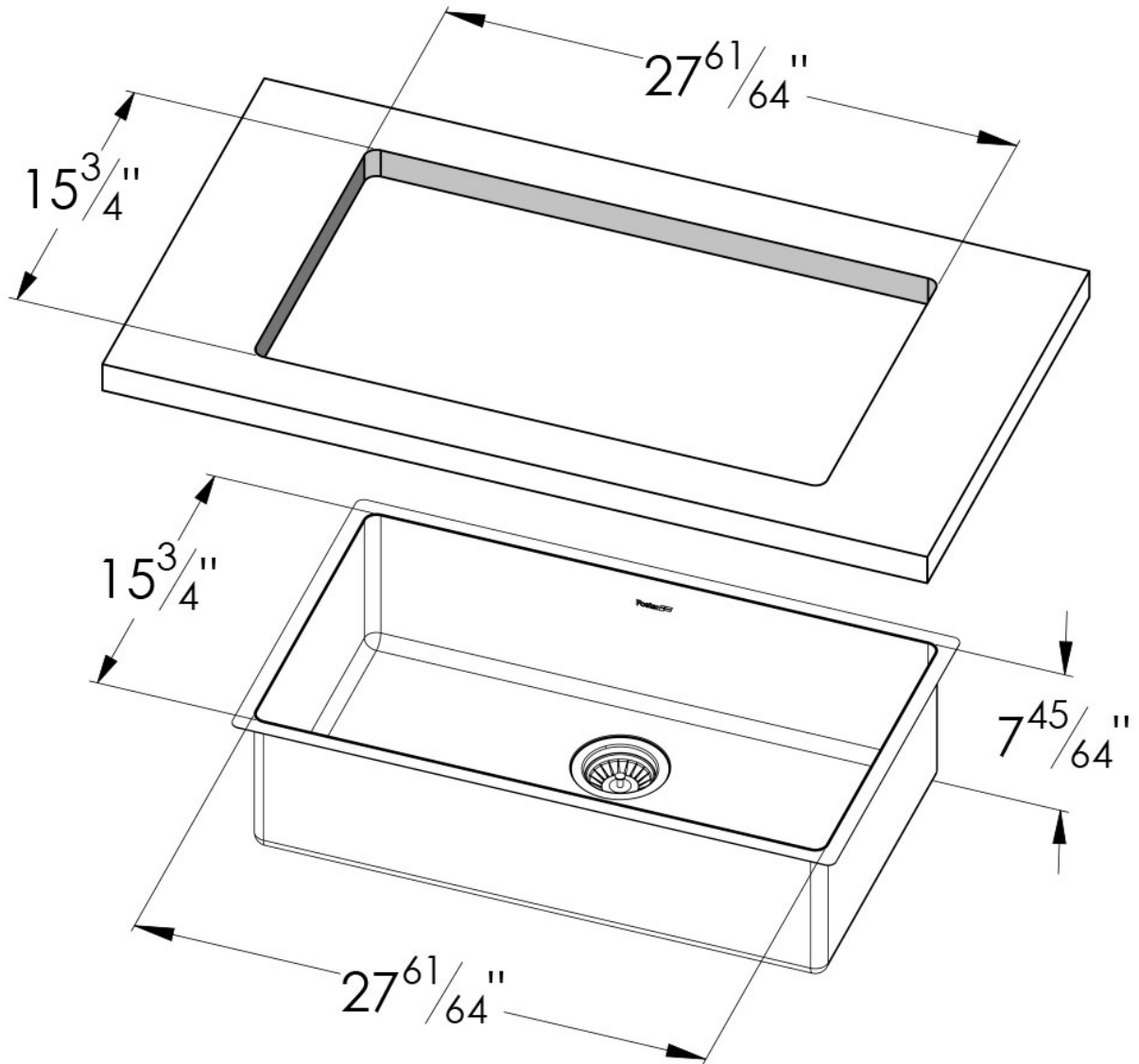
**High thickness** 1.5 mm thick steel. A significant thickness, which guarantees the maximum sturdiness and durability.

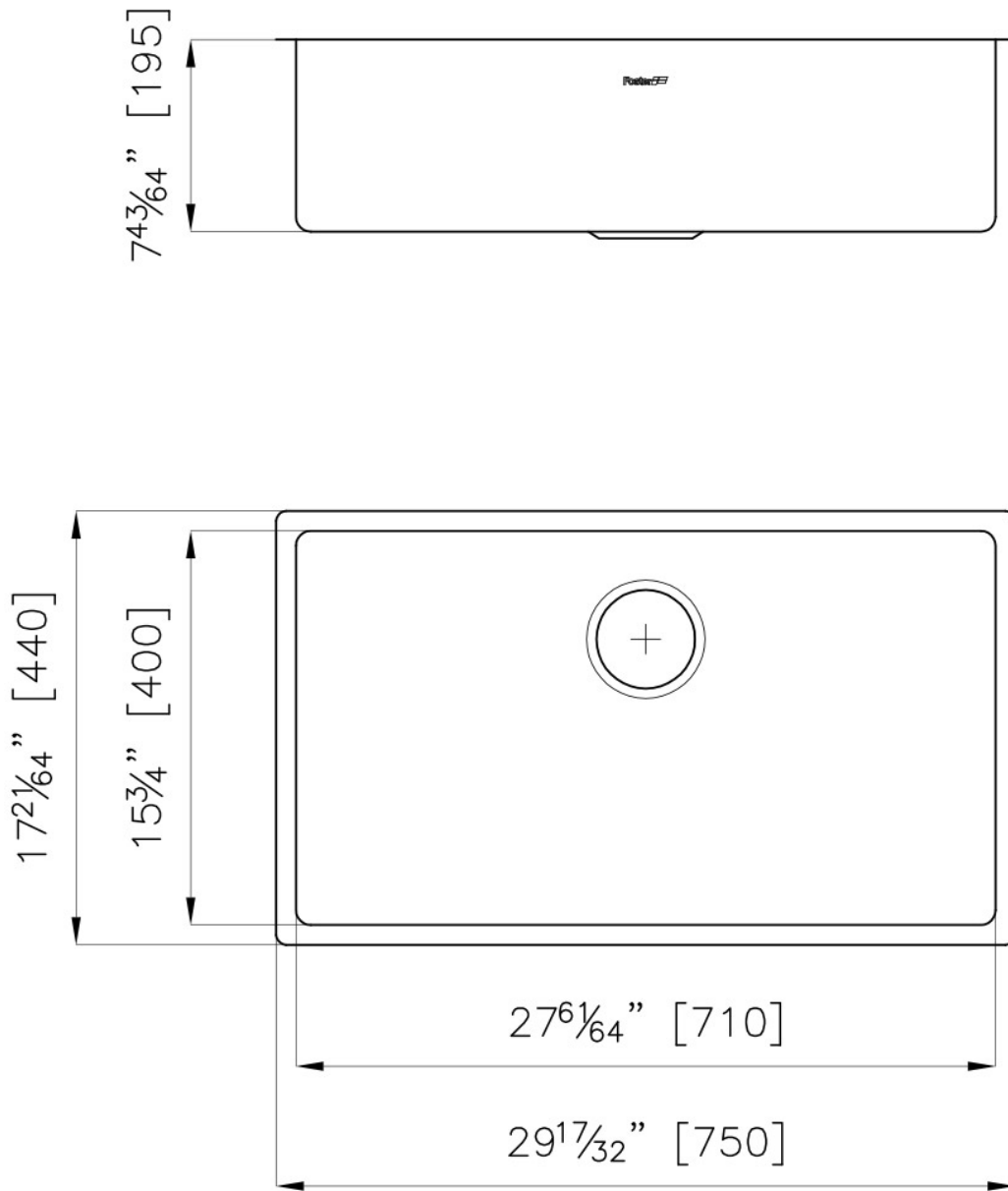
---

**Small radius** Bowls with squared shapes with a modern design and an increased capacity, for a minimal aesthetics connected with an extreme practicality.

---

## TECHNICAL DATA





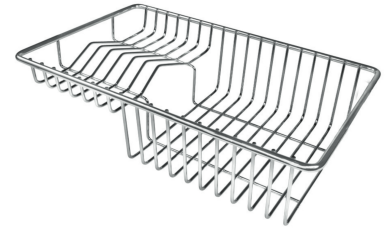
## OPTIONAL ACCESSORIES



Chopping Board 8631 300



Grating kit complete with ring support and food collection tray 8159 101



Stainless Steel dishes holder 8100 303



Stainless steel perforated pan 8151 000



Twin Chopping Board - 8644 101



White bowl 8153 100

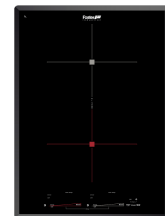
## RECOMMENDED PAIRINGS



Faucet Capri Gun Metal - 8467 605



Milano Cooktop Gun Metal 4 burners inLine - 7640 906



Milano Induction Cooktop 2 Plate - 7323 945