

BATHROOM
Terra Floor-Mounted Exposed Tub
Filler - Rough and Trim
G-1752-LM46N

GRAFF[®]



Information

- Floor-mount installation
- Aerated spout flow rate ~9 gpm @ 45 psi
- 8-11/16" spout reach
- 40-3/8"-43-1/2" approximate height
- Includes handshower with 59" spiral flexible hose
- Optional in-line pressure balancing valve
- Handshower flow rate ≤ 1.5 max gpm

G-1752-LM46N

Terra Collection

Floor-Mounted Tub Filler (Rough and Trim)

GRAFF[®]
CUTTING EDGE DESIGN



Product Features

- Floor-mount installation
- Aerated spout flow rate ~ 9 gpm @45 psi
- 8-11/16" spout reach
- 40-3/8"-43-1/2" approximate height
- Includes handshower with 59" spiral flexible hose

Available Finishes

- Polished Chrome
G-1752-LM46N-PC
- Brushed Nickel
G-1752-LM46N-BNi
- Polished Nickel
G-1752-LM46N-PN
- Olive Bronze™
G-1752-LM46N-OB*

* Special order finish- call for availability

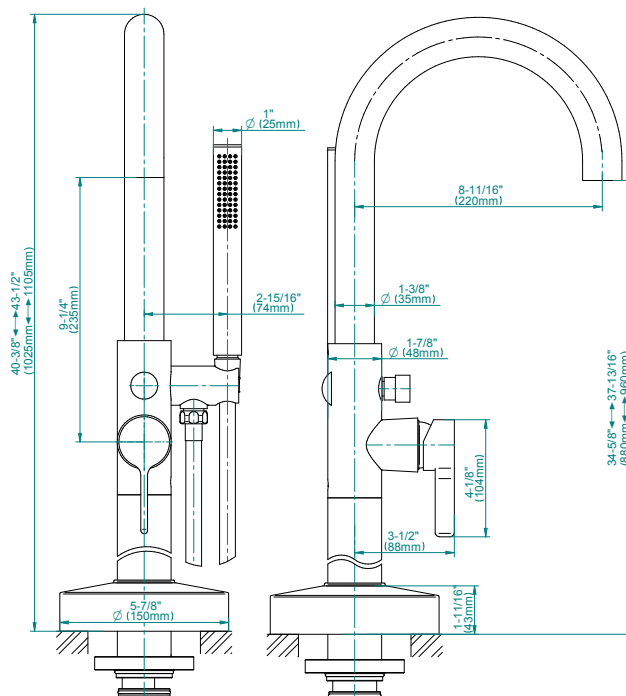
Optional Accessories

- In-line pressure balancing valve
G-1060

Warranty

- Limited lifetime warranty

For complete warranty information go to www.graff-faucets.com/en-nam/warranty



BATHROOM
Spout Connection Rough
G-1045

GRAFF®



Finishes



24K Gold



24K Brushed
Gold



Brushed Brass
PVD



Architectural
Black™



Brushed
Nickel



Brushed Onyx
PVD®



Gunmetal



Matte Black



Olive Bronze



Onyx PVD®



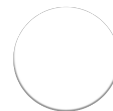
Polished Brass
PVD



Polished
Chrome



Polished
Nickel



Architectural
White

G-1045

Spout Connection Rough



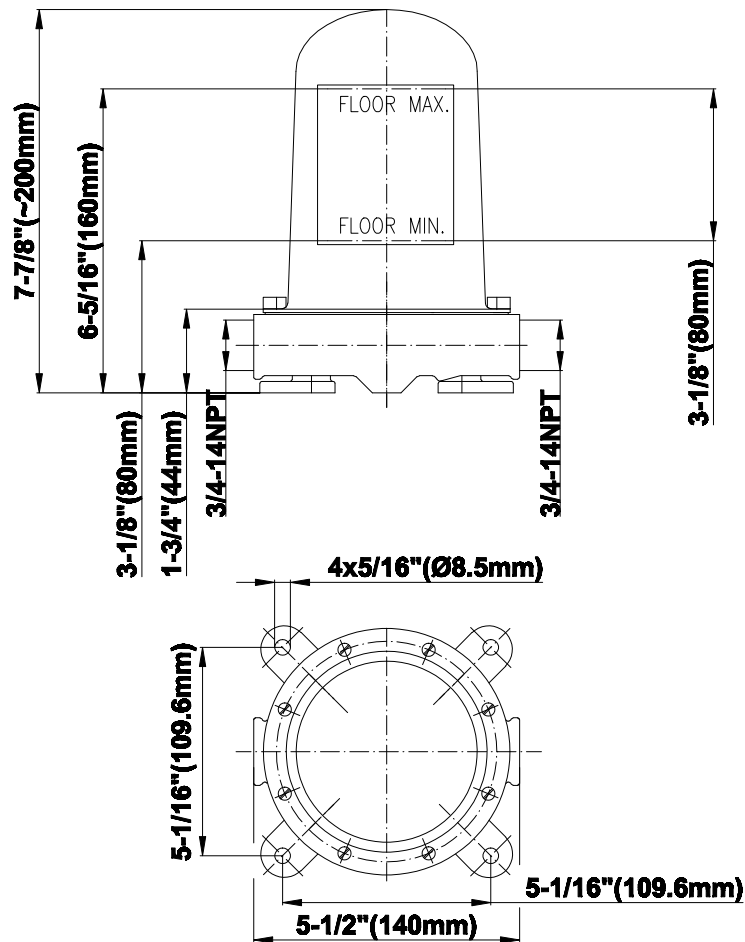
Product Features

- Mud guard displays minimum and maximum floor depth
- Rough can be installed in any orientation making it convenient to route pipes to the rough
- Trim can be rotated 360 degrees in any directions
- Averages 10 GPM with most trim

Warranty

- Limited lifetime warranty

For complete warranty information go to <http://www.graff-faucets.com/en/info/faqs>



BATHROOM
Terra Floor-Mounted Exposed Tub
Filler - Rough and Trim
G-1752-LM46N

GRAFF[®]



Information

- Floor-mount installation
- Aerated spout flow rate ~9 gpm @ 45 psi
- 8-11/16" spout reach
- 40-3/8"-43-1/2" approximate height
- Includes handshower with 59" spiral flexible hose
- Optional in-line pressure balancing valve
- Handshower flow rate ≤1.5 max gpm

Finishes



24K Gold

24K Brushed Gold

Brushed Brass PVD

Architectural Black™

Brushed Nickel

Brushed Onyx PVD®

Gunmetal

Matte Black

Olive Bronze

Onyx PVD®

Polished Brass PVD

Polished Chrome

Polished Nickel

Architectural White

G-1752-LM46N

Terra Collection
Floor-Mounted Tub Filler (Rough and Trim)



Product Features

- Floor-mount installation
- Aerated spout flow rate ~ 9 gpm @45 psi
- 8-11/16" spout reach
- 40-3/8"-43-1/2" approximate height
- Includes handshower with 59" spiral flexible hose

Available Finishes

- Polished Chrome
G-1752-LM46N-PC
- Brushed Nickel
G-1752-LM46N-BNi
- Polished Nickel
G-1752-LM46N-PN
- Olive Bronze™
G-1752-LM46N-OB*

* Special order finish- call for availability

Optional Accessories

- In-line pressure balancing valve
G-1060

Warranty

- Limited lifetime warranty

For complete warranty information go to www.graff-faucets.com/en-nam/warranty

