

SHOWER
Finezza DUE M-Series
Thermostatic Shower System -
Tub and Shower with Handshower
GR3.M12ST-C15E0

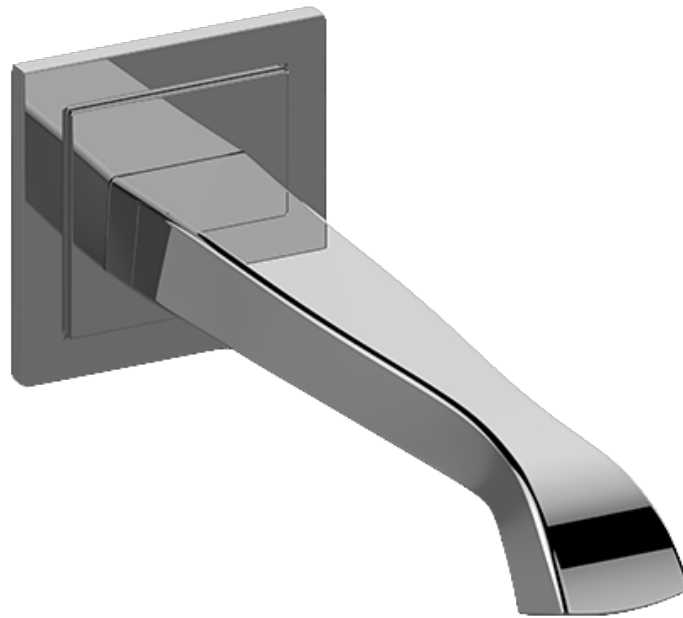
GRAFF®



Information

- 3/4" thermostatic valve and trim
- 3/4" stop/volume control valve and 3-way diverter valve and trims
- 9" showerhead with 12" wall-mounted shower arm
- Showerhead features no-clog, easy-clean spray nozzles
- Handshower set with wall-mounted slide bar and 59" hose (PVD finishes use 59" flex hose)
- 8" matching Finezza collection tub spout
- Optional extension kit
- Flow rates: showerhead ≤ 1.8 max gpm, handshower ≤ 1.8 max gpm
- ADA
- CALGreen




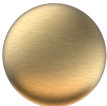
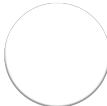
SHOWER
8" Finezza Tub Spout
G-6865



Information

- Includes spout ring
- 1/2" NPT male thread inlet
- Tub spout flow rate ~ 12.4 gpm @60 psi
- Matches Finezza UNO and Finezza DUE Collections

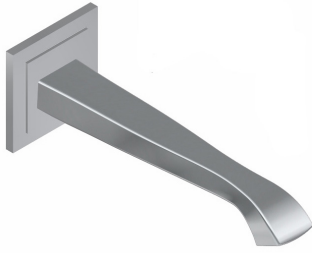
Finishes

							
24K Gold	24K Brushed Gold	Brushed Brass PVD	Architectural Black™	Brushed Nickel	Brushed Onyx PVD®	Brushed OR'osa PVD®	Gunmetal
							
Matte Black	Olive Bronze	Onyx PVD®	Polished Brass PVD	Polished Chrome	Polished Nickel	OR'osa PVD®	Unfinished Brass
							
Unfinished Brushed Brass	Vintage Brushed Brass	Architectural White					

G-6865

Finezza Collection
8" Finezza Tub Spout

GRAFF®



Product Features

- Includes spout ring
- 1/2" NPT female thread inlet
- Matches Finezza UNO and Finezza DUE Collections
- Tub spout flow rate ~ 12.4 gpm @60 psi

Available Finishes

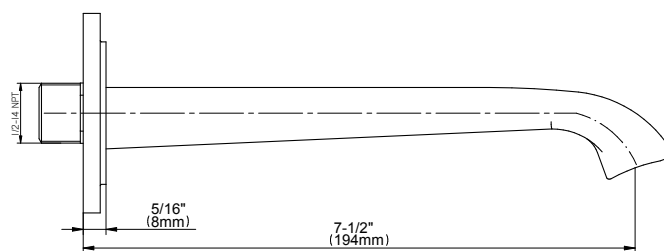
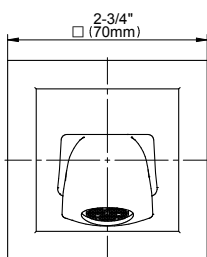
- Polished Chrome
G-6865-PC
- Brushed Nickel
G-6865-BNi
- Polished Nickel
G-6865-PN
- Olive Bronze
G-6865-OB
- Unfinished Brass*
G-6865-UB*
- Gold*
G-6865-AU*
- Brushed Gold*
G-6865-BAU*

* Special order finish- call for availability

Warranty

- Limited lifetime warranty

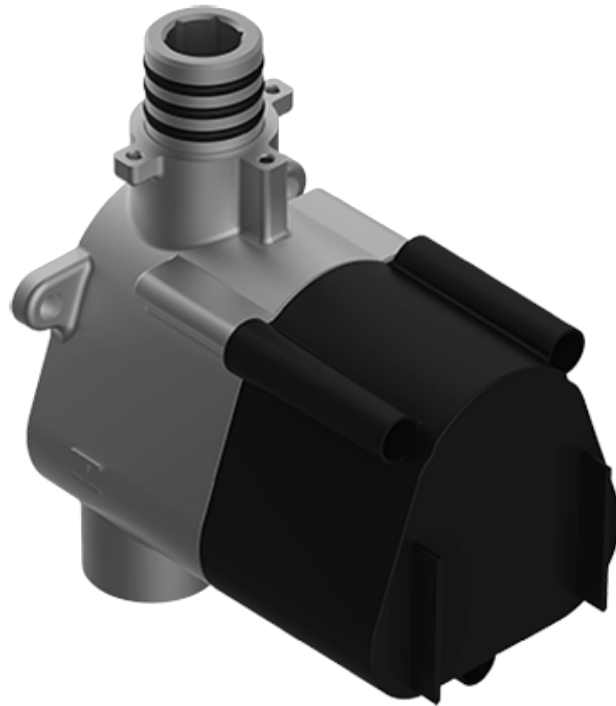
For complete warranty information go to <https://www.graff-faucets.com/en/info/faqs>



The measurements shown are for reference only. Products and specifications shown are subject to change without notice. Revised 5/2018.

www.graff-designs.com | phone: 800-954-4723

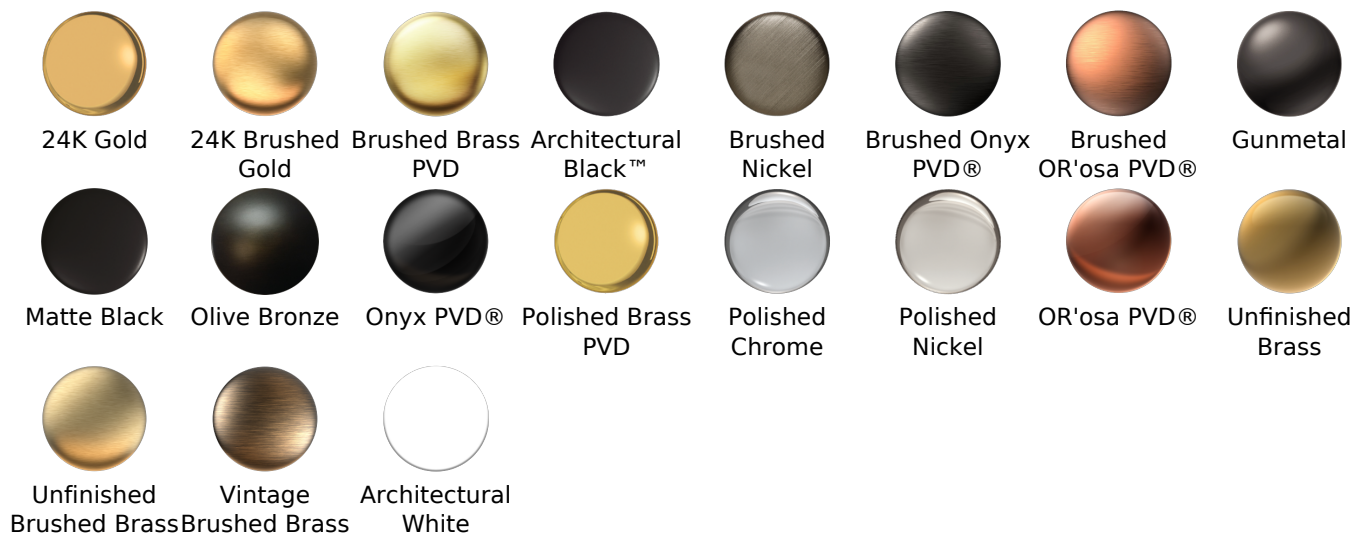
SHOWER
 Thermostatic Rough Valve
G-8006



Information

- 12.9 gpm @ 60 psi
- 3/4" universal inlets
- Built-in service stops
- Stacking outlet feature
- Complete serviceability from front of all units
- Supplied with protective plastic cover
- CalGreen compliant dependent on functions

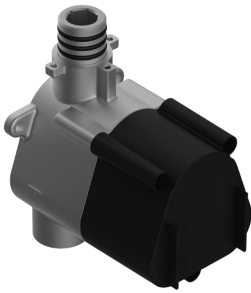
Finishes



G-8006

M-Series

3/4" Concealed Thermostatic Rough Valve



Product Features

- 12.9 gpm @ 60 psi
- 3/4" universal inlets
- Built-in service stops
- Stacking outlet feature
- Complete serviceability from front of all units
- Supplied with protective plastic cover
- CalGreen compliant dependent on functions

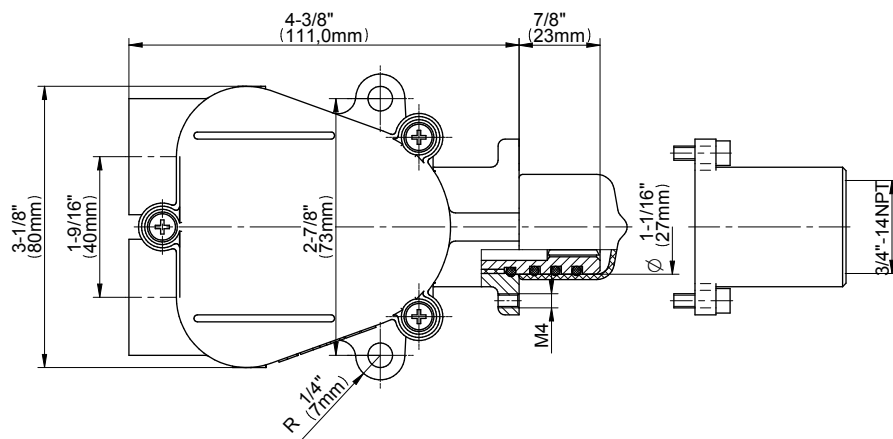
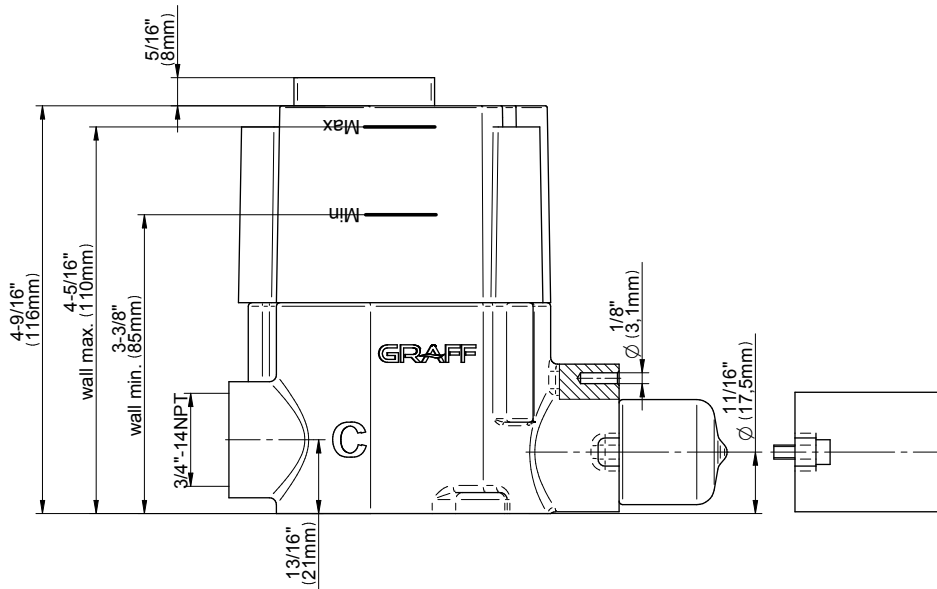
Code Compliance

- CALGreen

Warranty

- Limited lifetime warranty

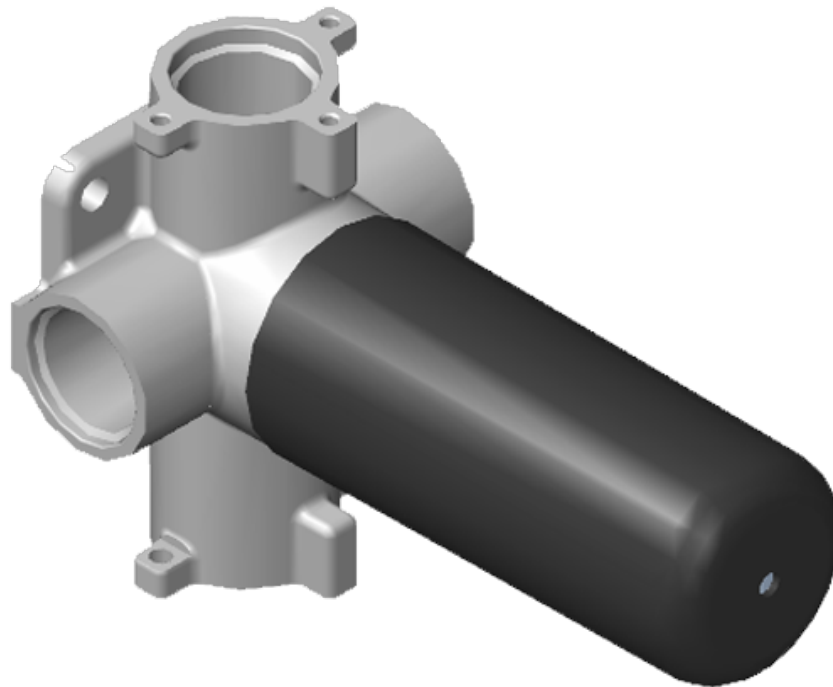
For complete warranty information go to www.graff-faucets.com/en/info/faqs



The measurements shown are for reference only. Products and specifications shown are subject to change without notice. Revised 3/2016.

www.graff-faucets.com | phone: 800-954-4723

SHOWER
 Three-Way Diverter Control Valve
 WITH Off Function (No Pass-
 Through)
G-8053



Information

- ~11.4 gpm @ 60 psi
- 3/4" universal inlets/outlets with female threads
- Operates one function at a time
- Stacking inlet feature
- Supplied with protective plastic cover
- CALGreen compliant depending on functions

Finishes

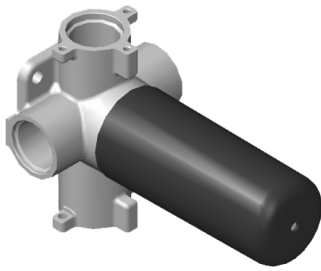


Unfinished Vintage Architectural
Brushed Brass Brushed Brass White

G-8053

M-Series

3-Way Diverter Control Valve WITH Off Function (No Pass-Through)



Product Features

- 3/4" universal inlets/outlets with female threads
- Stacking inlet feature
- Supplied with protective plastic cover
- CalGreen compliant dependent on functions

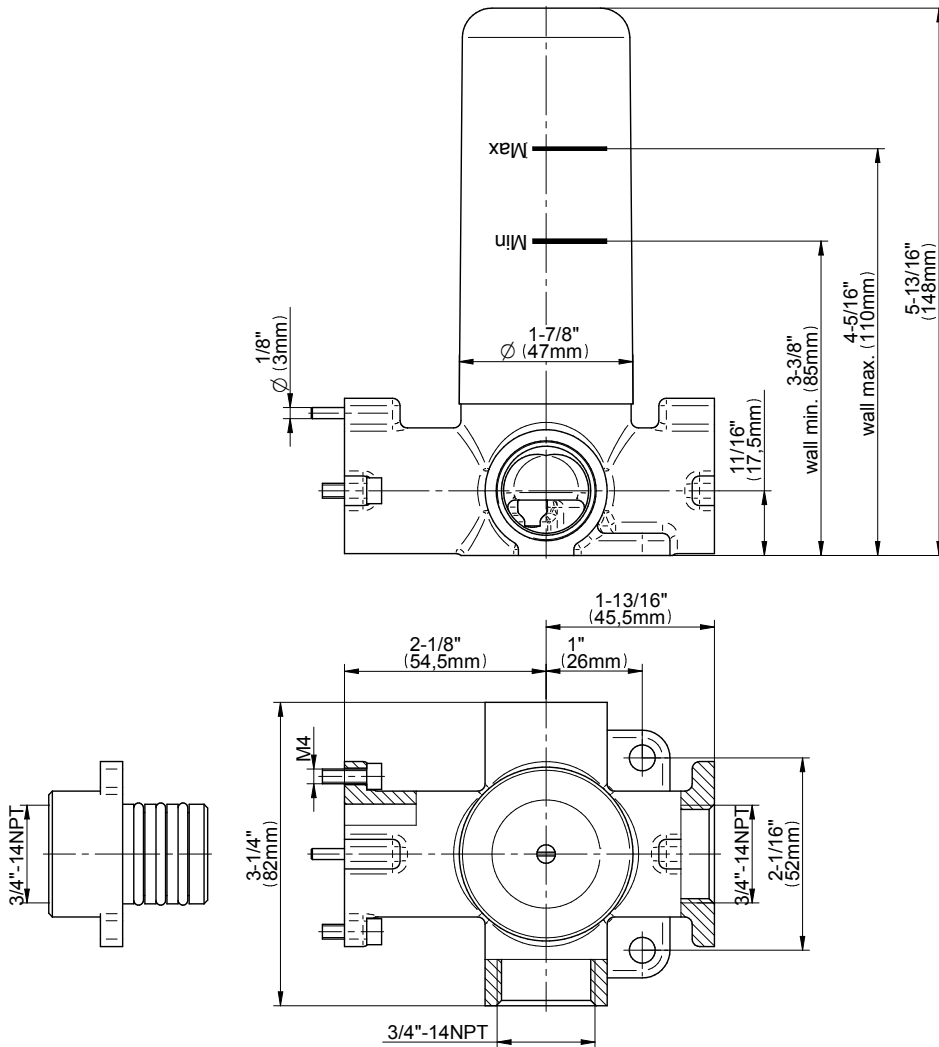
Code Compliance

- CALGreen

Warranty

- Limited lifetime warranty

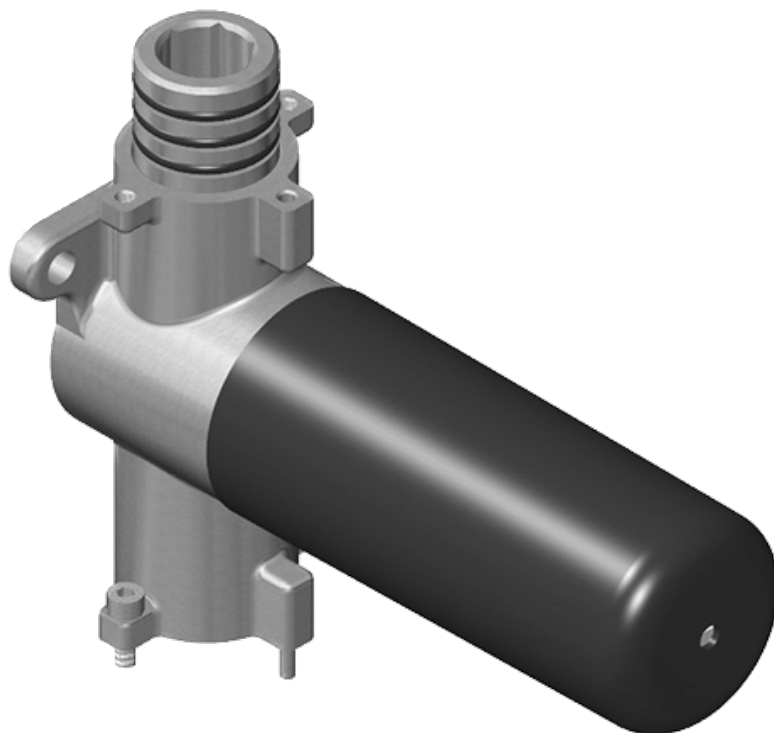
For complete warranty information go to www.graff-faucets.com/en/info/faqs



The measurements shown are for reference only. Products and specifications shown are subject to change without notice. Revised 3/2016.

www.graff-faucets.com | phone: 800-954-4723





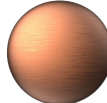








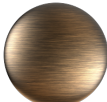

SHOWER
 Stop/Volume Control Rough Valve
G-8077



Information

- 18.1 gpm @ 60 psi
- 3/4" universal inlets/outlets with female threads
- Stacking inlet and outlet feature
- Supplied with protective plastic cover
- CalGreen compliant dependent on functions

Finishes

							
24K Gold	24K Brushed Gold	Brushed Brass PVD	Architectural Black™	Brushed Nickel	Brushed Onyx PVD®	Brushed OR'osa PVD®	Gunmetal
							
Matte Black	Olive Bronze	Onyx PVD®	Polished Brass PVD	Polished Chrome	Polished Nickel	OR'osa PVD®	Unfinished Brass
							
Unfinished Brushed Brass	Vintage Brushed Brass	Architectural White					

G-8077

M-Series

Stop/Volume Control Rough Valve



Product Features

- 3/4" universal inlets/outlets with female threads
- 18.1 gpm @ 60 psi
- Stacking inlet and outlet feature
- Supplied with protective plastic cover
- CalGreen compliant dependent on functions

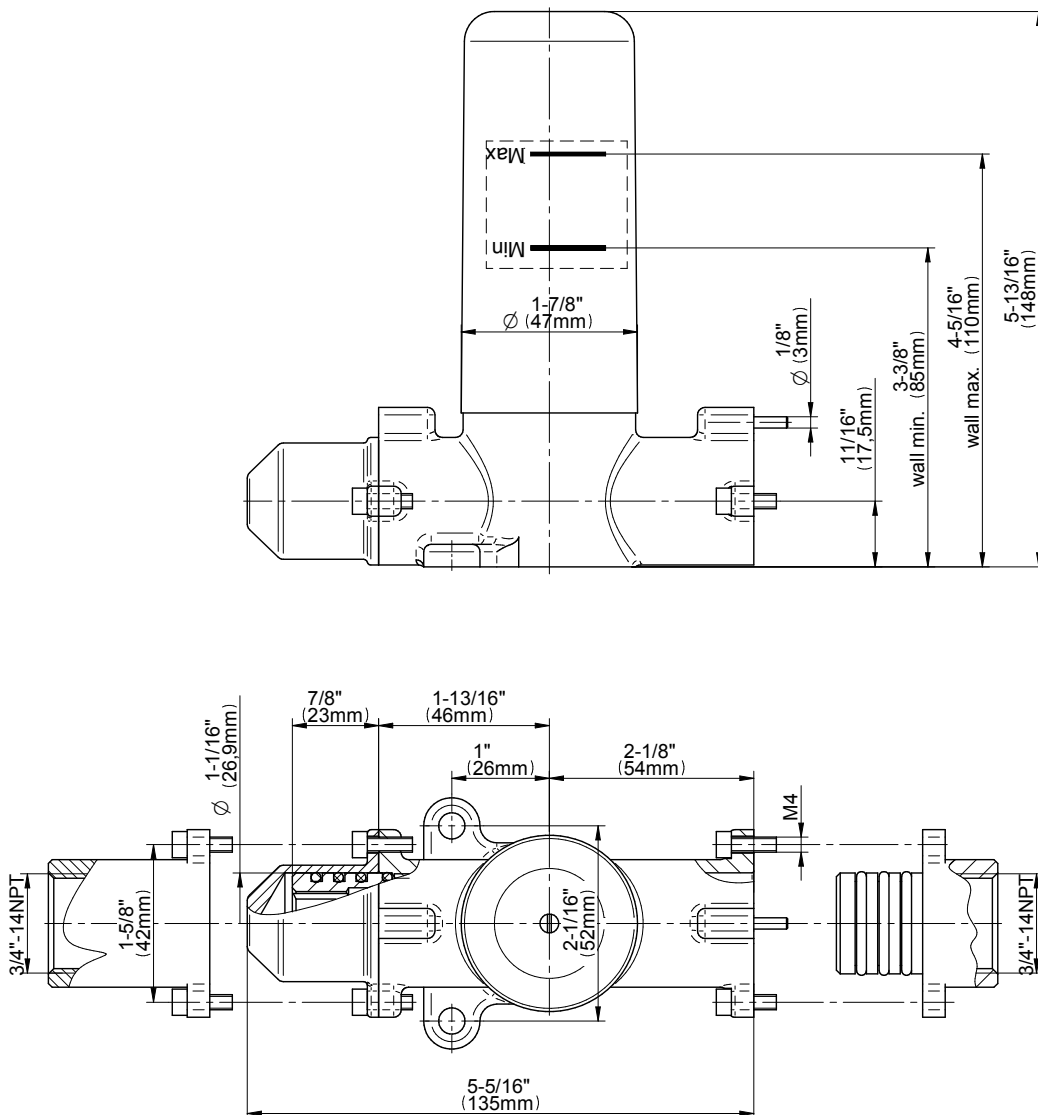
Code Compliance

- CALGreen

Warranty

- Limited lifetime warranty

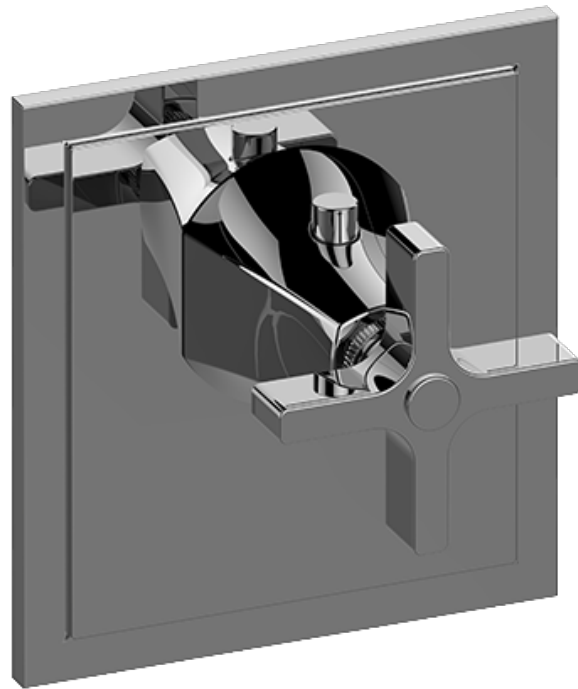
For complete warranty information go to www.graff-faucets.com/en/info/faqs



The measurements shown are for reference only. Products and specifications shown are subject to change without notice. Revised 3/2016.

www.graff-faucets.com | phone: 800-954-4723

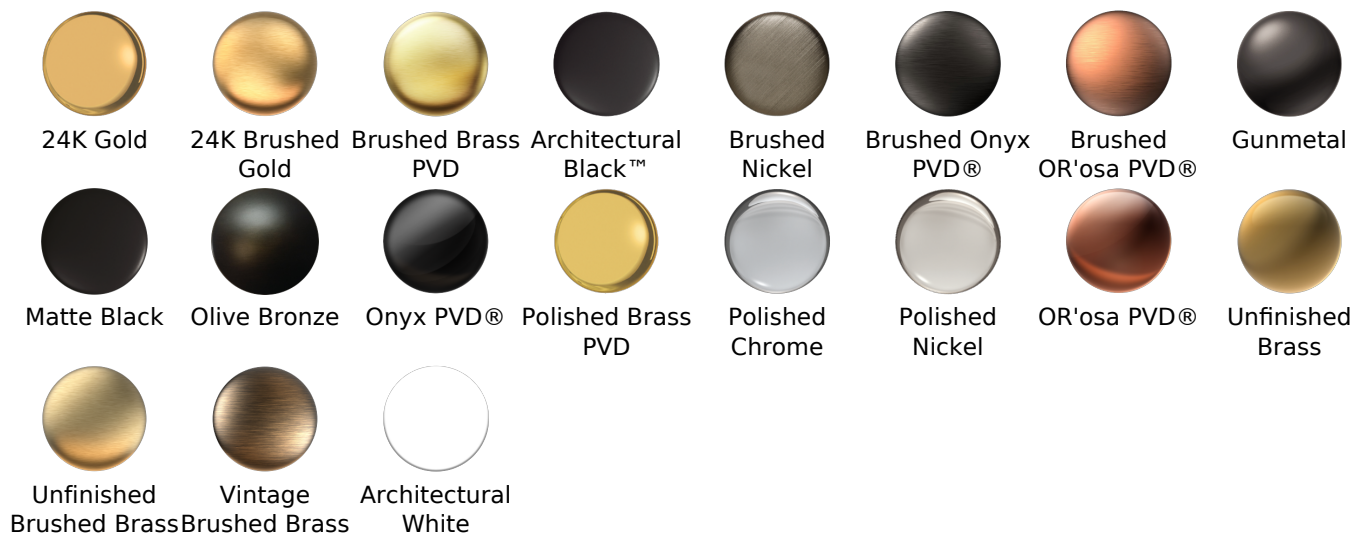
SHOWER
 Finezza DUE Thermostatic Valve
 Trim Plate and Handle
G-8144-C15E-T



Information

- Single metal handle
- Decorative trim plate
- Use with G-8006 thermostatic rough valve
- To complete package, you must order rough valve

Finishes



G-8144-C15E-T

Finezza DUE Collection

Thermostatic Valve Trim Plate and Handle

GRAFF[®]
CUTTING EDGE DESIGN



Product Features

- Single metal handle
- Decorative trim plate
- Use with G-8006 thermostatic rough valve
- To complete package, you must order rough valve

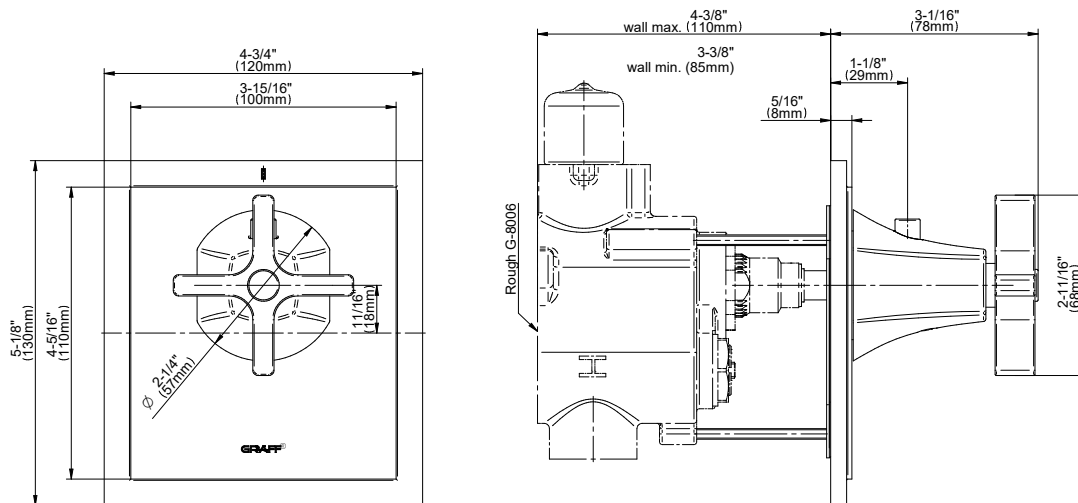
Available Finishes

- Polished Chrome
G-8144-C15E-PC-T
- Brushed Nickel
G-8144-C15E-BNi-T
- Polished Nickel
G-8144-C15E-PN-T
- Olive Bronze™
G-8144-C15E-OB-T

Warranty

- Limited lifetime warranty

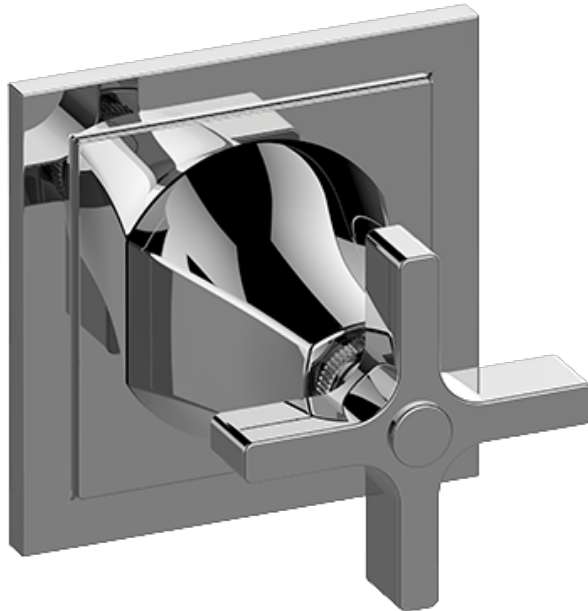
For complete warranty information go to: www.graff-faucets.com/en/info/faqs



The measurements shown are for reference only. Products and specifications shown are subject to change without notice. Revised 6/2017

www.graff-faucets.com | phone: 800-954-4723

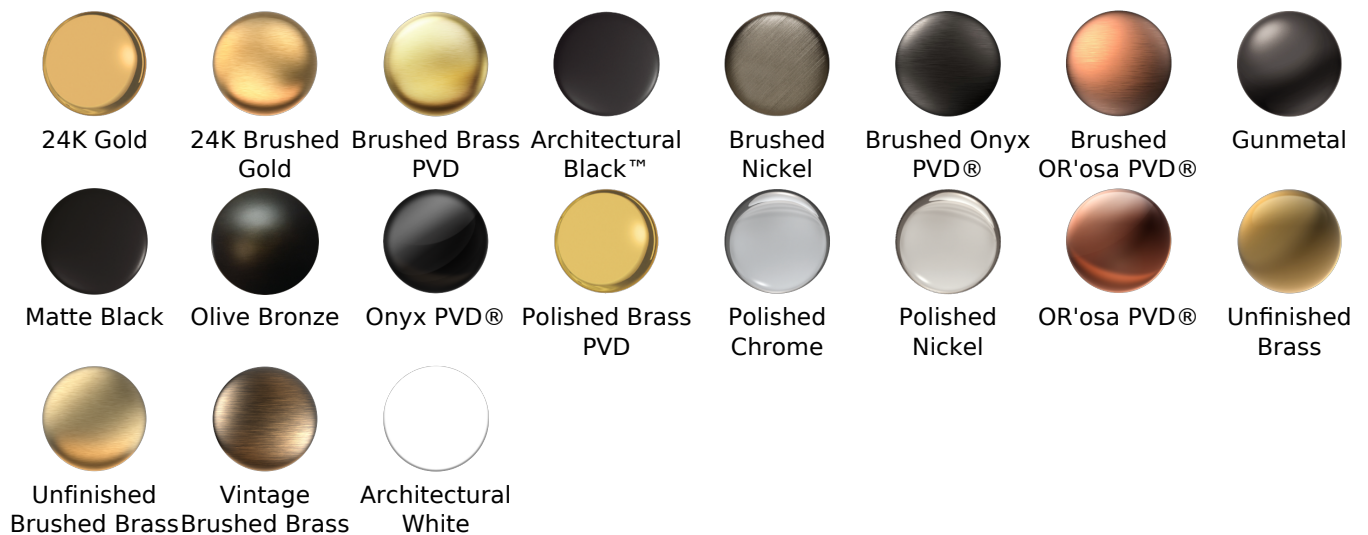
SHOWER
 Finezza DUE Three-Way Diverter
 Valve Trim Plate and Handle
G-8174-C15E1-T



Information

- Single metal handle
- Decorative trim plate
- Use with G-8053 3-way diverter control rough valve WITH off function
- To complete package, you must order rough valve

Finishes



G-8174-C15E1-T

Finezza DUE Collection

Three-Way Diverter Valve Trim Plate and Handle

GRAFF[®]
CUTTING EDGE DESIGN



Product Features

- Single metal handle
- Decorative trim plate
- Use with G-8053 3-way diverter control rough valve WITH off function
- To complete package, you must order rough valve

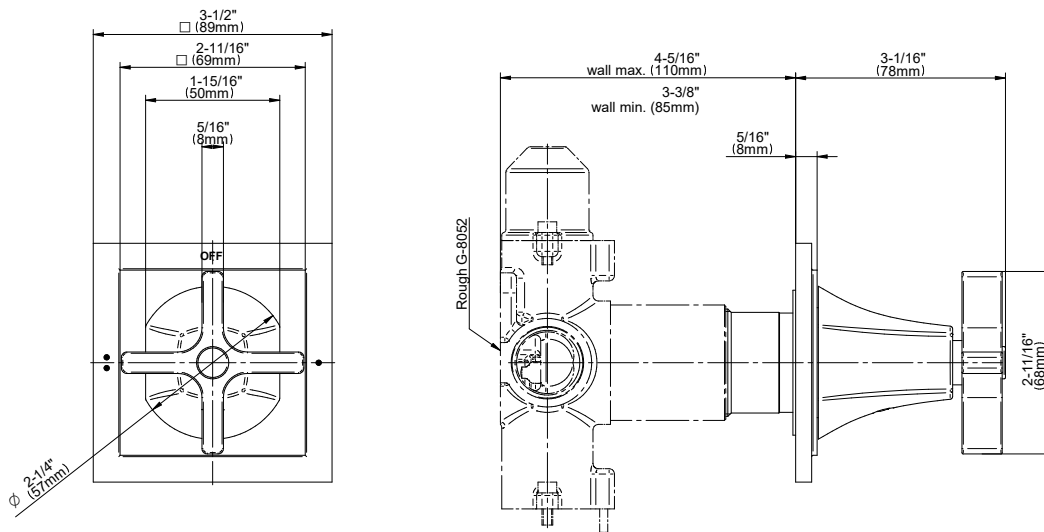
Available Finishes

- Polished Chrome
G-8174-C15E1-PC-T
- Brushed Nickel
G-8174-C15E1-BNi-T
- Polished Nickel
G-8174-C15E1-PN-T
- Olive Bronze™
G-8174-C15E1-OB-T

Warranty

- Limited lifetime warranty

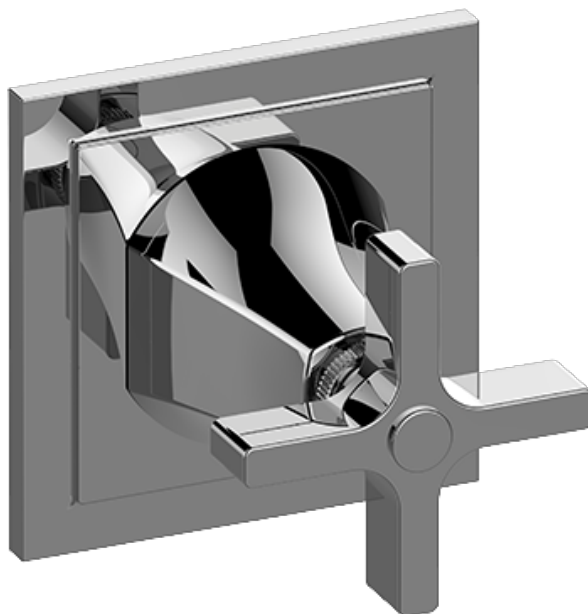
For complete warranty information go to: www.graff-faucets.com/en/info/faqs



The measurements shown are for reference only. Products and specifications shown are subject to change without notice. Revised 6/2017

www.graff-faucets.com | phone: 800-954-4723

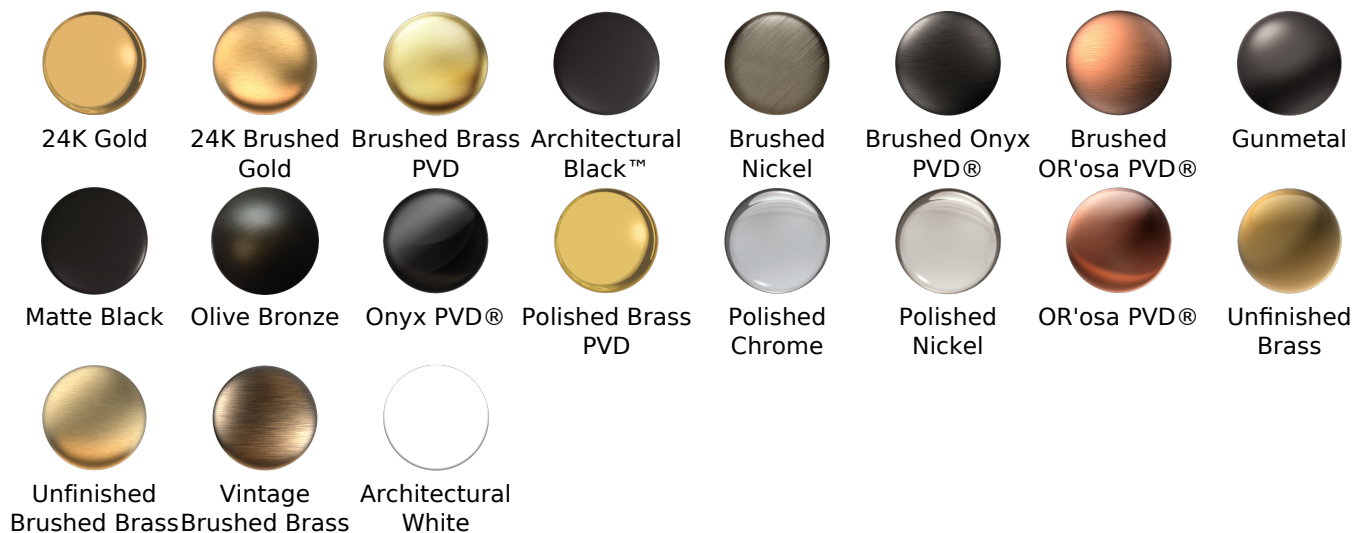
SHOWER
 Finezza DUE Stop/Volume Control
 Trim Plate and Handle
G-8199-C15E1-T



Information

- Single metal handle
- Decorative trim plate
- Use with G-8076 Stop/Volume Control rough valve with Pass-Through or G-8077 Stop/Volume Control rough valve
- To complete package, you must order rough valve

Finishes



G-8199-C15E1-T

Finezza DUE Collection

Stop/Volume Control Trim Plate and Handle

GRAFF[®]
CUTTING EDGE DESIGN



Product Features

- Single metal handle
- Decorative trim plate
- Use with G-8076 Stop/Volume Control rough valve with Pass-Through or G-8077 Stop/Volume Control rough valve
- To complete package, you must order rough valve

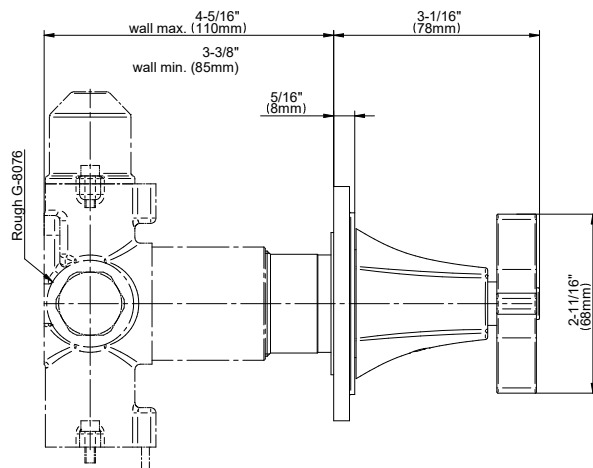
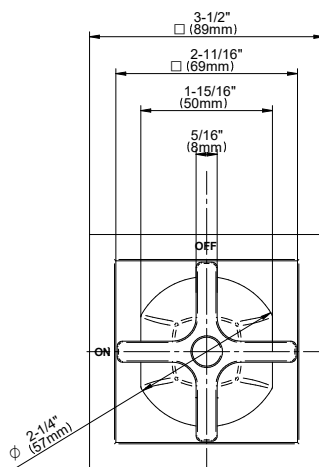
Available Finishes

- Polished Chrome
G-8199-C15E1-PC-T
- Brushed Nickel
G-8199-C15E1-BNi-T
- Polished Nickel
G-8199-C15E1-PN-T
- Olive Bronze™
G-8199-C15E1-OB-T

Warranty

- Limited lifetime warranty

For complete warranty information go to: www.graff-faucets.com/en/info/faqs



The measurements shown are for reference only. Products and specifications shown are subject to change without notice. Revised 6/2017

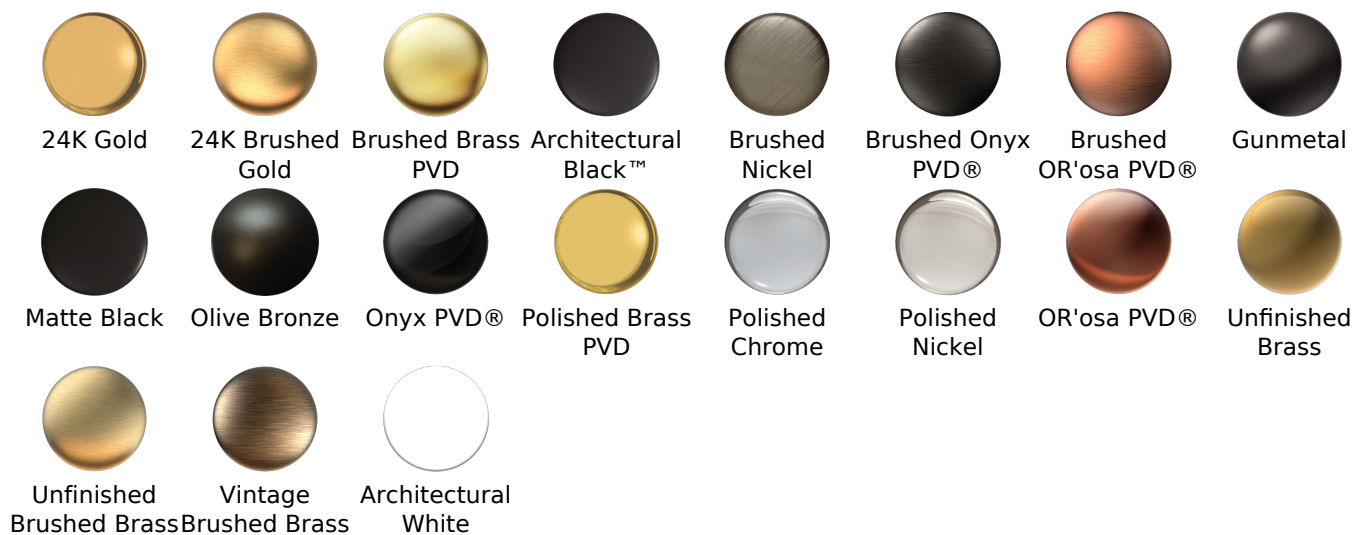
www.graff-faucets.com | phone: 800-954-4723



Information

- 126 no-clog, easy-clean rubber spray nozzles
- Recommended use with ceiling shower arm
- Recommended for use at no more than 10 degrees tilt
- Showerhead flow rate ≤ 1.8 max gpm
- CALGreen

Finishes



G-8406

Finezza Collection
9" Rain Showerhead

GRAFF[®]
CUTTING EDGE DESIGN

Product Features

- Sunflower shape
- 126 no-clog, easy-clean rubber spray nozzles
- Showerhead flow rate < 1.8 max gpm

Available Finishes

- Polished Chrome
G-8406-PC
- Brushed Nickel
G-8406-BNi
- Polished Nickel
G-8406-PN
- Unfinished Brass*
G-8406-UB*
- Olive Bronze
G-8406-OB*
- Gold*
G-8406-AU*
- Brushed Gold*
G-8406-BAU*

* Special order finish- call for availability



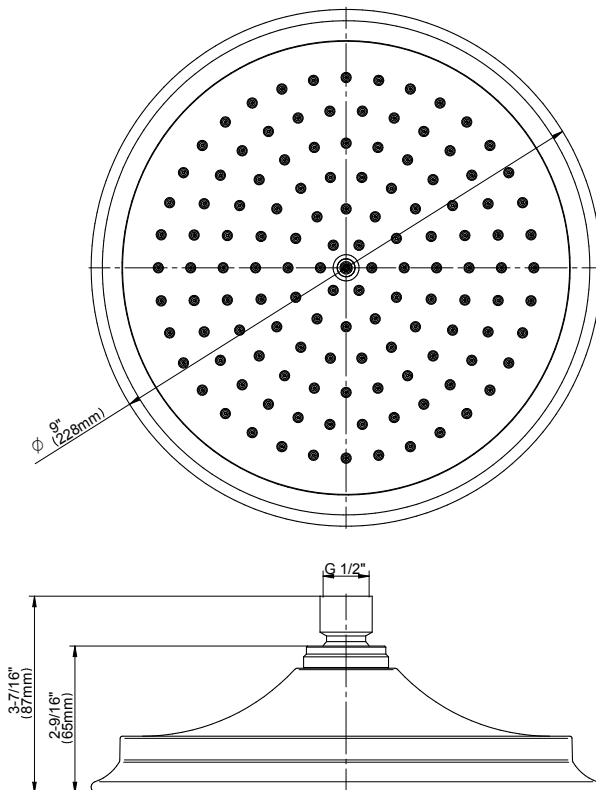
Code Compliance

- CALGreen

Warranty

- Limited lifetime warranty

For complete warranty information go to
www.graff-designs.com/en-nam/warranty



The measurements shown are for reference only. Products and specifications shown are subject to change without notice. Revised 12/2017

www.graff-designs.com | phone: 800-954-4723

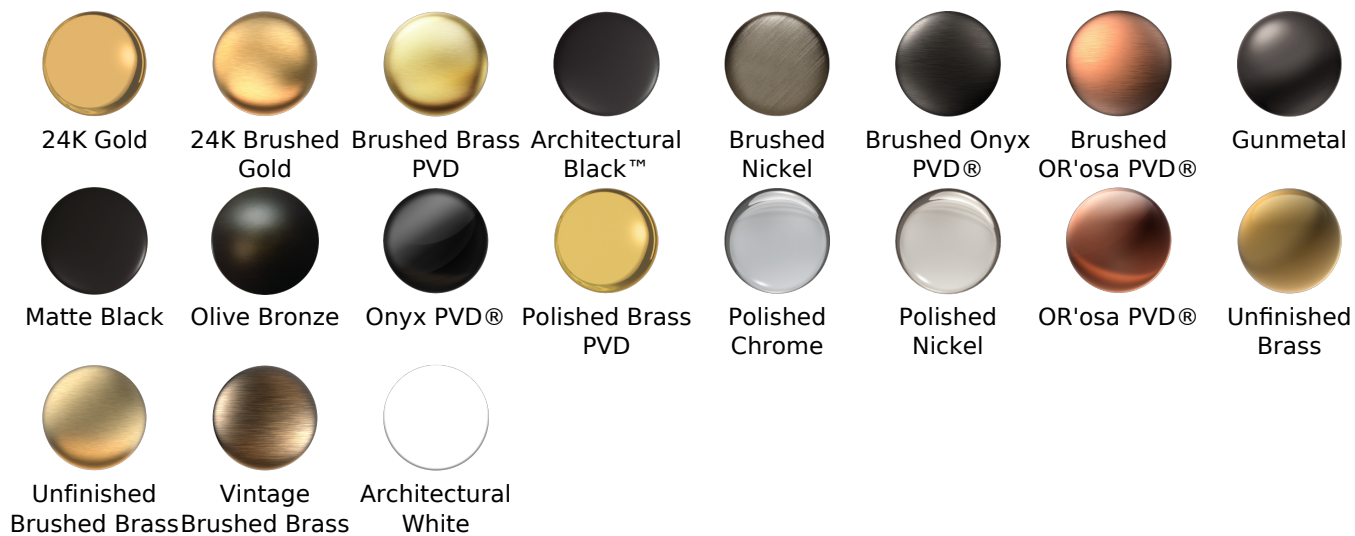
SHOWER
 Finezza 12" Shower Arm
G-8513



Information

- Includes arm and solid flange
- 1/2" NPT male thread inlet
- For use with all showerheads (especially G-8406)

Finishes



G-8513

Finezza Collection
12" Shower Arm

GRAFF[®]
CUTTING EDGE DESIGN



Product Features

- Includes arm and solid flange
- 1/2" NPT male thread inlet

Available Finishes

- Polished Chrome
G-8513-PC
- Brushed Nickel
G-8513-BNi
- Polished Nickel
G-8513-PN
- Olive Bronze™
G-8513-OB

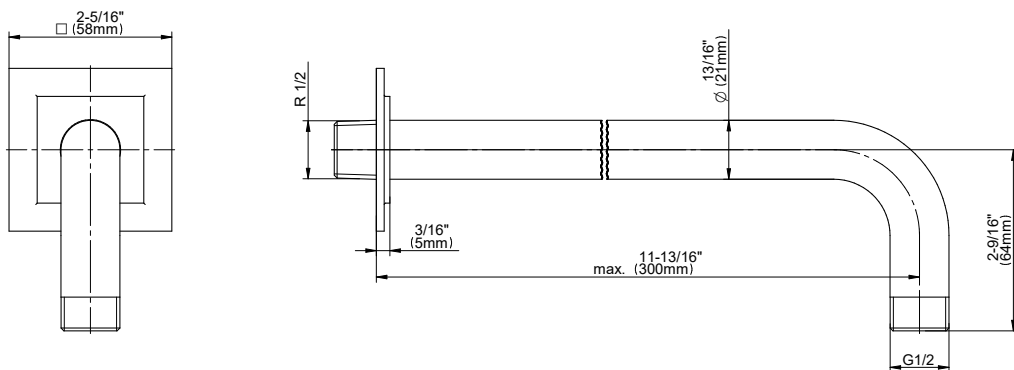
Optional Accessories

- For use with all showerheads especially G-8406-**

Warranty

- Limited lifetime warranty

For complete warranty information go to: www.graff-faucets.com/en/info/faqs



The measurements shown are for reference only. Products and specifications shown are subject to change without notice. Revised 01/2017

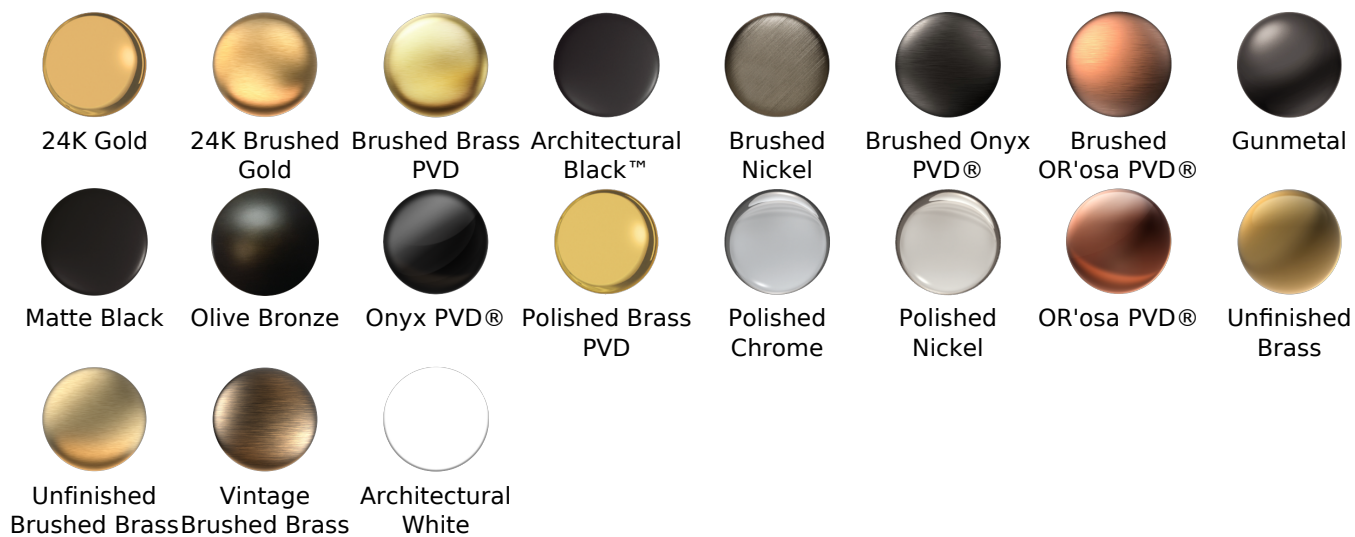
www.graff-faucets.com | phone: 800-954-4723



Information

- Brass spiral flexible hose with conical nut

Finishes





Product Features

- Brass spiral flexible hose with conical nut

Warranty

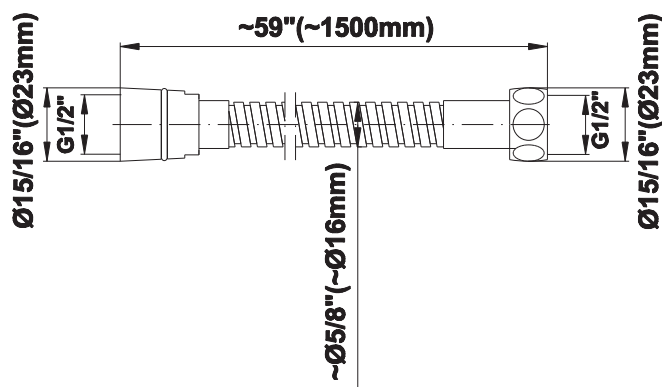
- Limited lifetime warranty

For complete warranty information go to www.graff-designs.com/en-nam/warranty

Available Finishes

- Polished Chrome
G-8605-PC
- Polished Nickel
G-8605-PN
- Brushed Nickel
G-8605-BNi
- Unfinished Brushed Brass*
G-8605-UBB*
- Unfinished Brass*
G-8605-UB*
- Matte Black*
G-8605-MBK*
- Architectural Black*
G-8605-BK*
- Architectural White*
G-8605-WT*
- Olive Brass*
G-8605-OB*
- Gunmetal*
G-8605-GM*
- Vintage Brushed Brass*
G-8605-VBB*
- Steelnox (Satin Nickel)
G-8605-SN
- 24K Brushed Gold*
G-8605-BAU*
- 24K Gold*
G-8605-AU*
- Gunmetal Distressed*
G-8605-GMD*

* Special order finish- call for availability

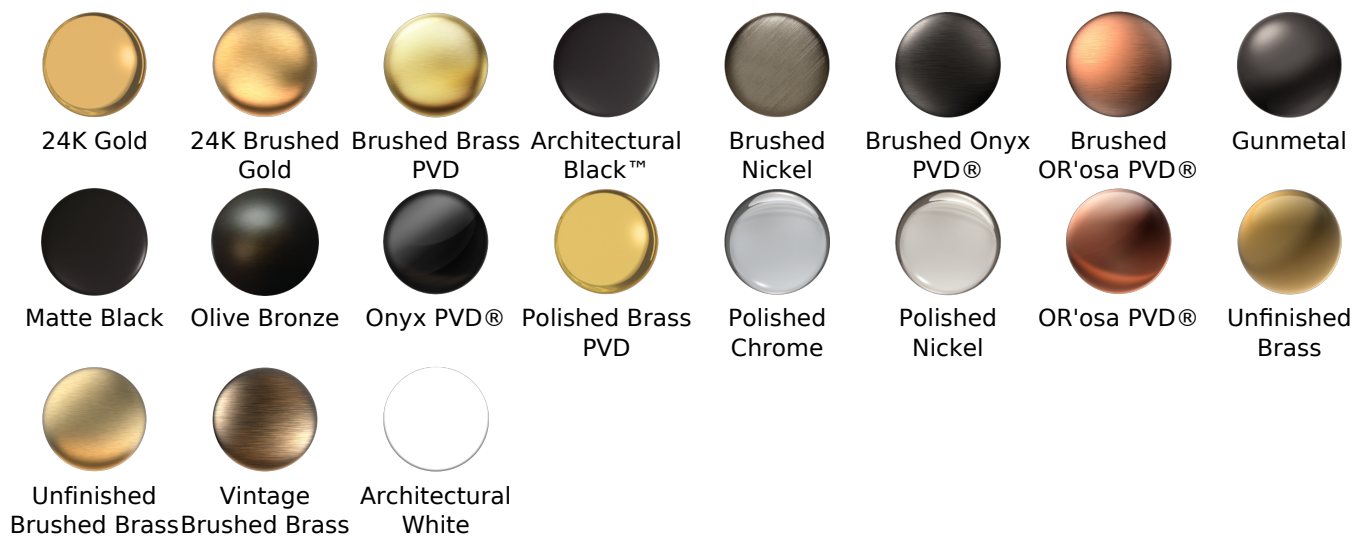




Information

- 1/2" NPT male thread inlet

Finishes



G-8653

Finezza DUE Collection
Finezza DUE Wall Supply Elbow



Product Features

- 1/2" NPT male thread inlet

Available Finishes

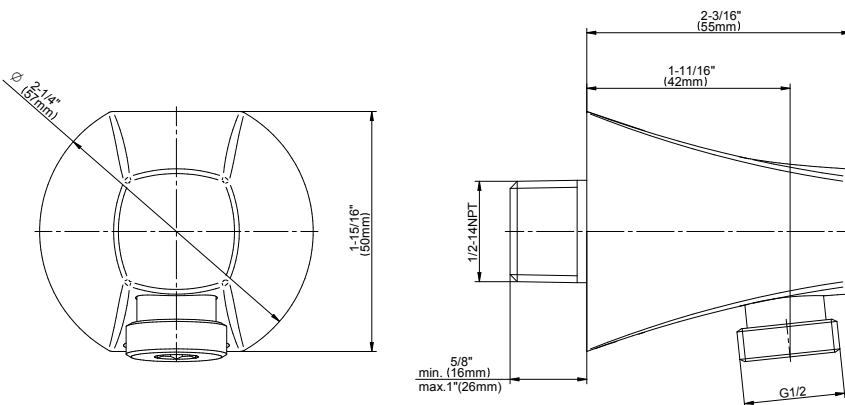
- Polished Chrome
G-8653-PC
- Brushed Nickel
G-8653-BNi
- Polished Nickel
G-8653-PN
- Olive Bronze
G-8653-OB
- Unfinished Brass*
G-8653-UB*
- Gold*
G-8653-AU*
- Brushed Gold*
G-8653-BAU*

* Special order finish- call for availability

Warranty

- Limited lifetime warranty

For complete warranty information go to <https://www.graff-faucets.com/en/info/faqs>



The measurements shown are for reference only. Products and specifications shown are subject to change without notice. Revised 5/2018.

www.graff-designs.com | phone: 800-954-4723

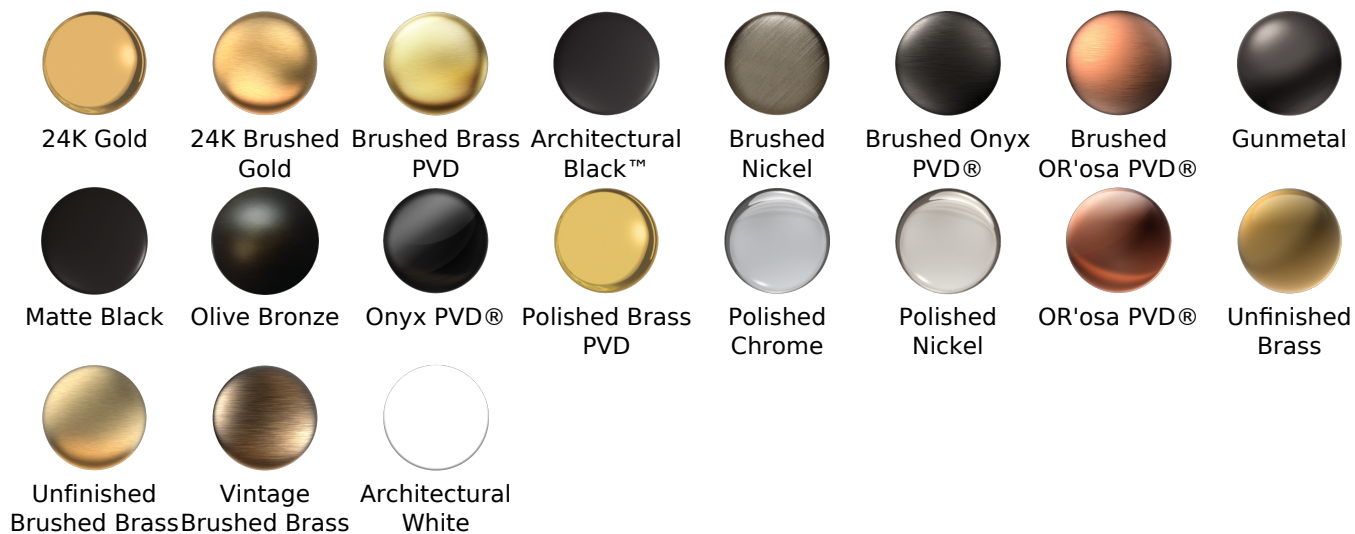
SHOWER
 Finezza DUE Wall-Mounted Slide
 Bar
G-8661



Information

- 22" wall-mounted slide bar
- Adjustable bracket fits all hoses with conical nut

Finishes



G-8661

Finezza DUE Collection

Finezza DUE Wall-Mounted Slide Bar

GRAFF®



Product Features

- 22" wall-mounted slide bar
- Adjustable bracket fits all hoses with conical nut

Available Finishes

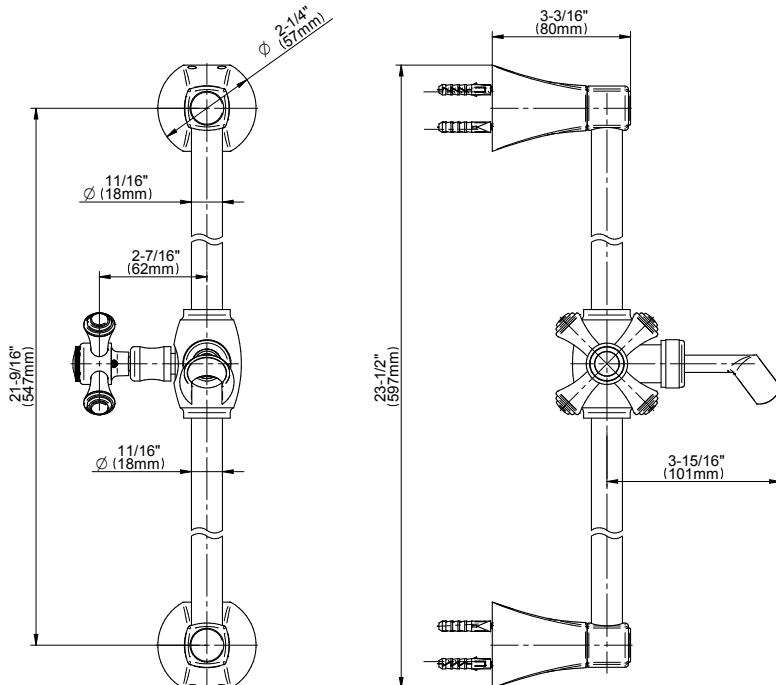
- Polished Chrome
G-8661-PC
- Brushed Nickel
G-8661-BNi
- Polished Nickel
G-8661-PN
- Olive Bronze
G-8661-OB
- Unfinished Brass*
G-8661-UB*
- Gold*
G-8661-AU*
- Brushed Gold*
G-8661-BAU*

* Special order finish- call for availability

Warranty

- Limited lifetime warranty

For complete warranty information go to <https://www.graff-faucets.com/en/info/faqs>



The measurements shown are for reference only. Products and specifications shown are subject to change without notice. Revised 5/2018.







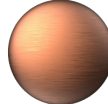










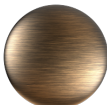

www.graff-designs.com | phone: 800-954-4723



Information

- Solid brass construction
- All-metal handle
- Shower hose not included
- Includes internal backflow preventer
- Handshower flow rate ≤ 1.8 max gpm
- CALGreen

Finishes

							
24K Gold	24K Brushed Gold	Brushed Brass PVD	Architectural Black™	Brushed Nickel	Brushed Onyx PVD®	Brushed OR'osa PVD®	Gunmetal
							
Matte Black	Olive Bronze	Onyx PVD®	Polished Brass PVD	Polished Chrome	Polished Nickel	OR'osa PVD®	Unfinished Brass
							
Unfinished Brushed Brass	Vintage Brushed Brass	Architectural White					

G-8724

Finezza Collection
Finezza Handshower

GRAFF®



Product Features

- Solid brass construction
- Smooth, all-metal handle
- Shower hose not included
- Handshower flow rate ≤ 1.5 max gpm
- Includes internal backflow preventer

Available Finishes

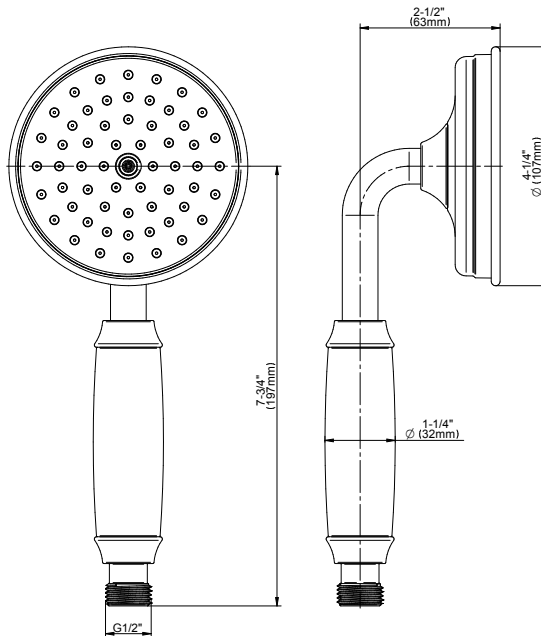
- Polished Chrome
G-8724-PC
- Brushed Nickel
G-8724-BNi
- Polished Nickel
G-8724-PN
- Olive Bronze
G-8724-OB
- Unfinished Brass*
G-8724-UB*
- Gold*
G-8724-AU*
- Brushed Gold*
G-8724-BAU*

* Special order finish- call for availability

Warranty

- Limited lifetime warranty

For complete warranty information go to
<https://www.graff-faucets.com/en/info/faqs>



The measurements shown are for reference only. Products and specifications shown are subject to change without notice. Revised 5/2018.

www.graff-designs.com | phone: 800-954-4723