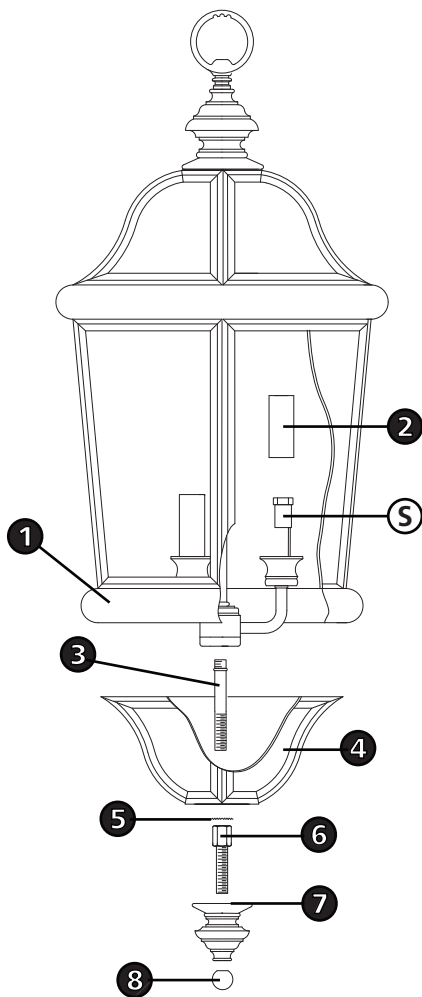


Drawing 1 - Fixture Assembly



▼ start here

1

1. Find a clear area in which you can work.
2. Unpack fixture and glass from carton.
3. Carefully review instructions prior to assembly.

***** The construction of this fixture will be accomplished by first assembling the main body of the fixture, installing the mounting hardware to the junction box, making all necessary wiring connections, and then hanging the fixture from the ceiling.**

SAFETY WARNING: READ WIRING AND GROUNDING INSTRUCTIONS (I.S. 18) AND ANY ADDITIONAL DIRECTIONS. TURN POWER SUPPLY OFF DURING INSTALLATION. IF NEW WIRING IS REQUIRED, CONSULT A QUALIFIED ELECTRICIAN OR LOCAL AUTHORITIES FOR CODE REQUIREMENTS.

2

Make electrical connections from supply wire to fixture lead wires. Refer to instruction sheet **(I.S. 18)** and follow all instructions to make all necessary wiring connections. Then refer back to this sheet to continue installation of this fixture.

3

1. To assembly fixture first, slip candle sleeve (2) through bottom of fixture cage (1) and over socket (S) - see Drawing 1.
2. Fixture can be lamped accordingly at this time.
3. Next thread center stem (3) into bottom of cluster assembly (C).
4. Slip lower cage roof (4) onto center stem (3) and hold in position. Next slip lock washer thread (5) over end of exposed center stem (3), and then thread coupler and threaded tube (6) onto exposed end of center stem (3) and tighten.
5. Slip cap (7) onto center stem (3) and hold in position while threading on decorative knob (8).

4

1. After the main body of the fixture is assembled please refer to instruction sheet **(IS19)** provided for mounting instructions. Please read through all instruction sheets provided with this fixture prior to starting installation.

01.01.90