

KICHLER®

Kichler® is a registered trademark of
The L.D. Kichler Co. All Rights Reserved.

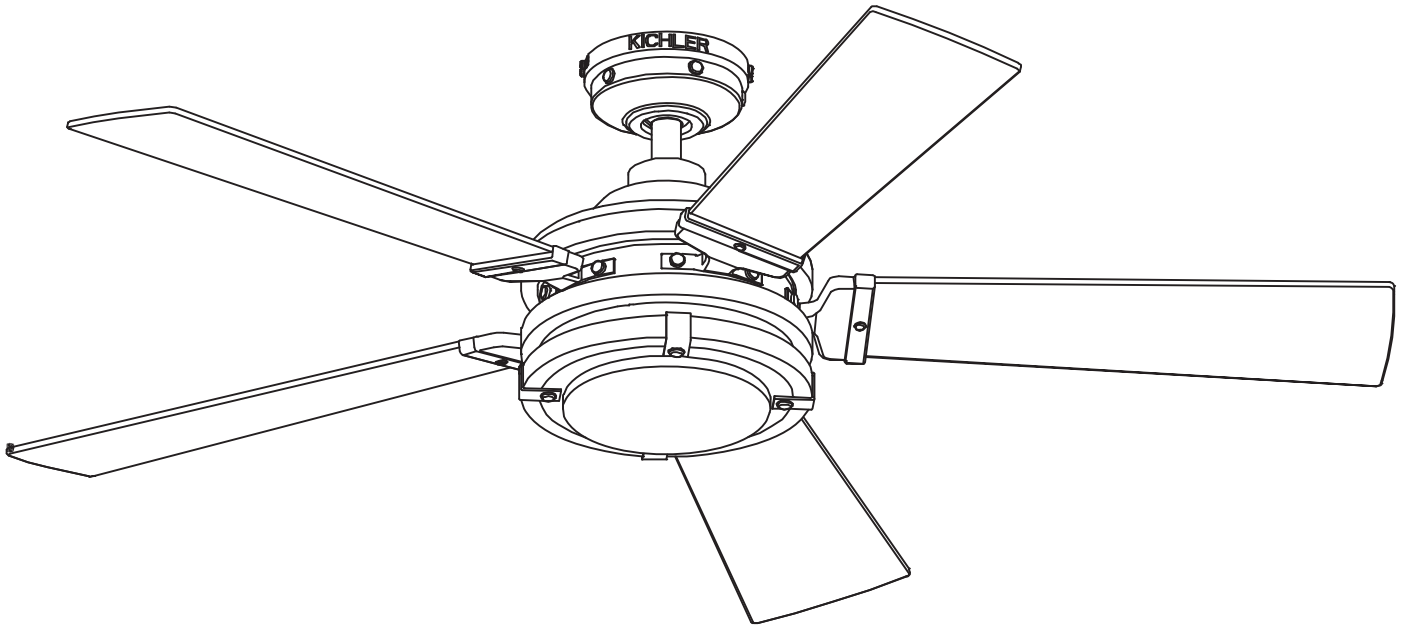
ITEM #0577412

CEILING FAN

MODEL #35170

Français p. 18

Español p. 35



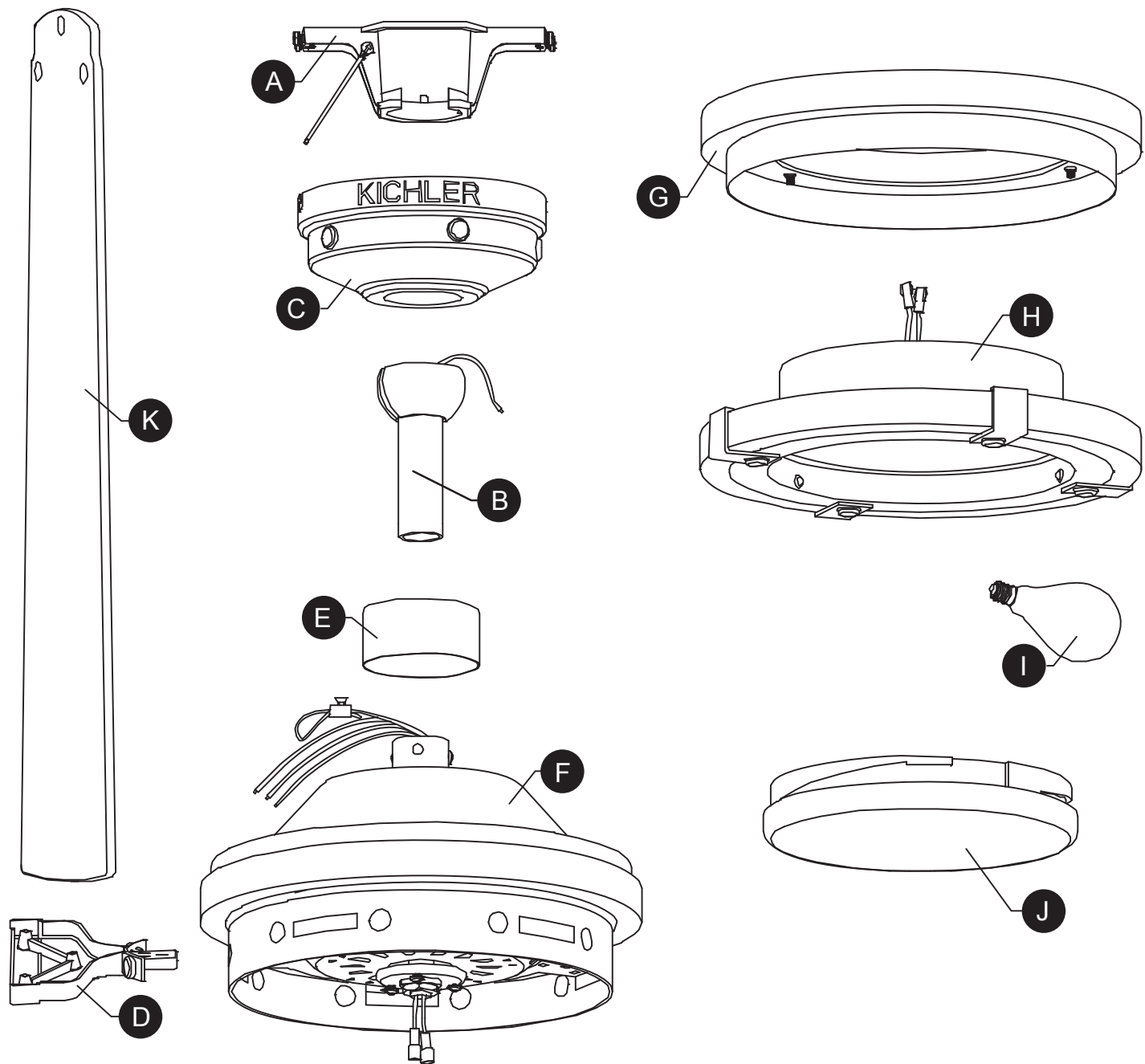
ATTACH YOUR RECEIPT HERE

Serial Number _____ Purchase Date _____



Questions, problems, missing parts? Before returning to your retailer, call our customer service department at **1-800-554-6504**, 8 a.m. - 4:30 p.m, EST, Monday - Friday.

PACKAGE CONTENTS

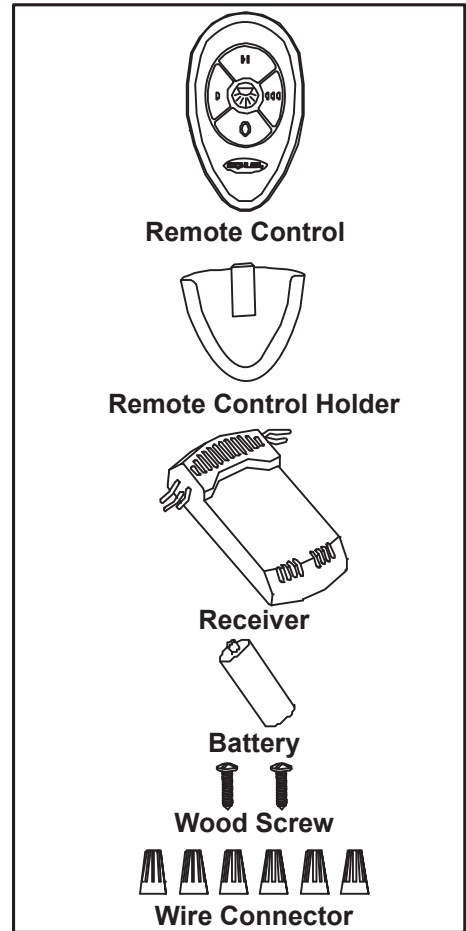
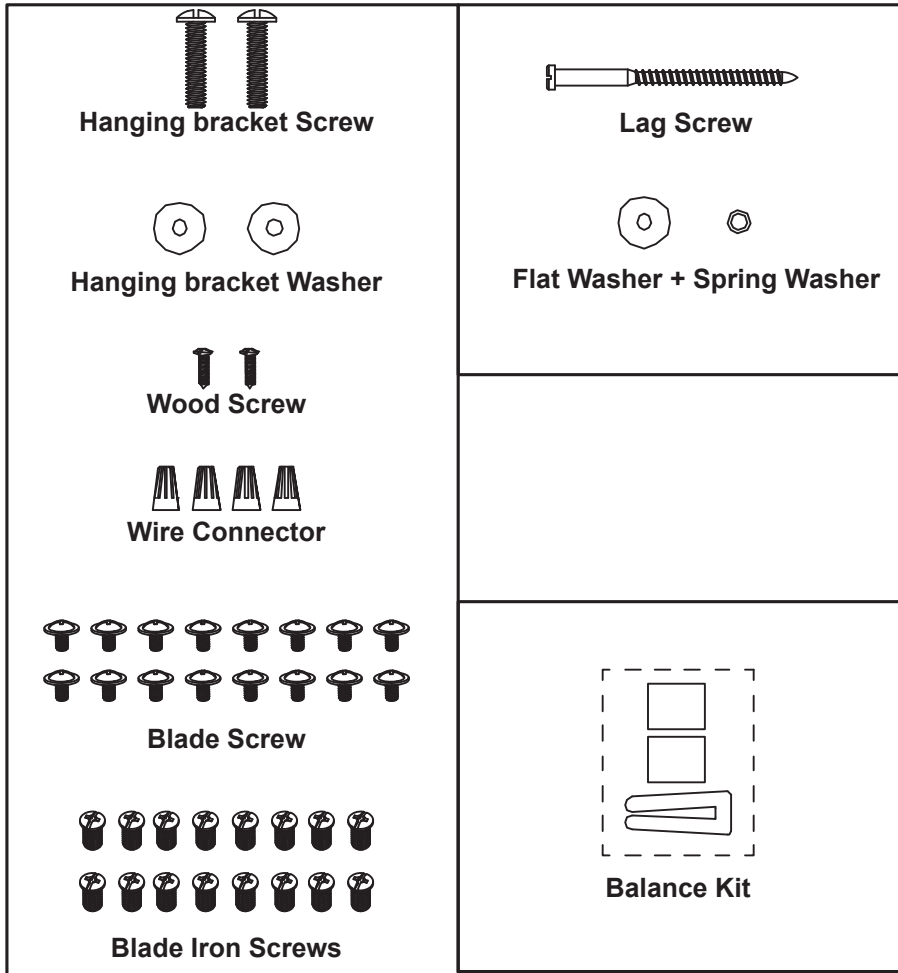


PART	DESCRIPTION	QTY
A	Hanging Bracket	1
B	Down Rod	1
C	Canopy	1
D	Blade Iron	5
E	Motor Coupling Cover	1
F	Motor Assembly	1

PART	DESCRIPTION	QTY
G	Light Kit Housing	1
H	Light Kit	1
I	5-Watt LED type-A15 Bulb	2
J	Diffuser	1
K	Blade	5

HARDWARE BAG

REMOTE CONTROL



! SAFETY INFORMATION

Please read and understand this entire manual before attempting to assemble, operate or install the product. If you have any questions regarding the product, please call customer service at **1-800-554-6504**, 8 a.m. - 4:30 p.m., EST.

WARNING:

- Important: When using an existing outlet box, be sure the box is securely attached to the building structure and can support the full weight of the fan. Failure to do so can result in serious injury or death.
- Turn off circuit breakers and wall switch to the fan supply wire leads. Warning: Failure to disconnect power supply prior to installation may result in serious injury or death.
- Warning - Connecting this fan to a light switch (on/off) has been known to cause damage to the receiver. This fan must be wired to continually receive power. Failure to do so will drastically reduce the lifespan of this fan.
- Do not install fan on a ceiling with a pitch greater than 20°.
- **WARNING – To Reduce The Risk Of Fire, Electric Shock, Or Personal Injury, Mount To Outlet Box Marked 'Acceptable for Fan Support of 15.9 kg (35 lbs) or less' And Use Mounting Screws Provided With The Outlet Box and/or Support Directly From Building Structure. Most Outlet Boxes Commonly Used For The Support of Luminaires Are Not Acceptable For Fan Support And May Need To Be Replaced. Consult A Qualified Electrician If In Doubt."**
- Important: Be sure wiring box is properly grounded or that a ground (green) wire is present.

WARNING (continued)

- Make sure the installation site you choose allows a minimum of 7 feet from the floor to the end of the blades.
- To reduce the risk of fire or electrical shock, do not use this fan with any solid state fan speed device or variable speed control.

PREPARATION

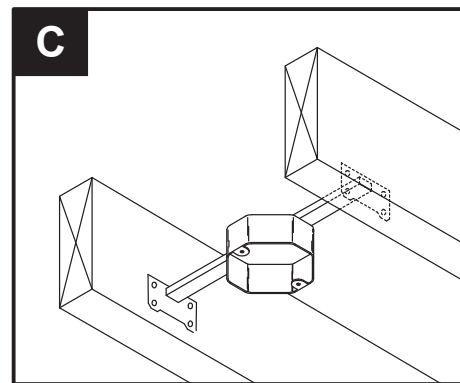
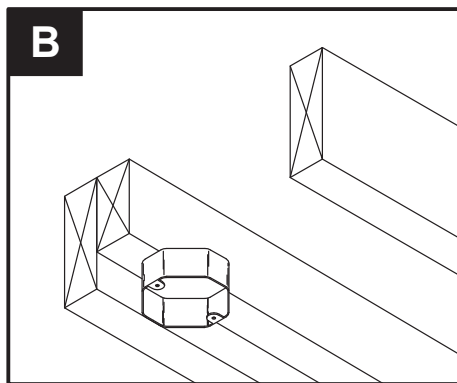
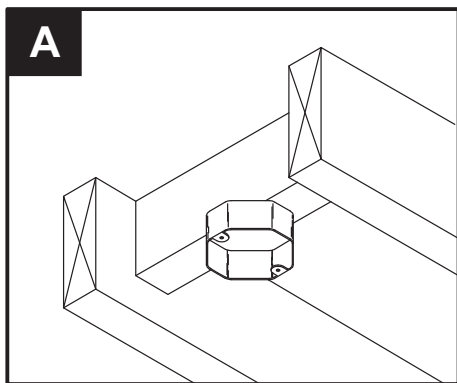
Before beginning assembly of product, make sure all parts are present. Compare parts with package contents list and diagram. If any part is missing or damaged, do not attempt to assemble the product. Contact customer service for replacement parts.

Estimated assembly time: 30 minutes to 1 hour.

Tools Required for Assembly (not included): Phillips screwdriver, flathead screwdriver, wire strippers, electrical tape, ladder, safety glasses.

ASSEMBLY INSTRUCTIONS

- **WARNING**-To reduce risk of fire, electric shock, or personal injury, mount to outlet box marked “Acceptable for Fan Support of 15.9kg (35lbs) or less” and use mounting screws provided with the outlet box and/or support directly from building structure. Most outlet boxes commonly used for the support of luminaries are not acceptable for fan support and may need to be replaced. Consult a qualified electrician if in doubt.
- **Warning**-Risk of fire, electric shock, or personal injury. Ceiling fans may be either directly supported from a structural framing member of a building and (see examples in figures A & B) or may be mounted to an outlet box marked acceptable for fan support of 31.8 kg (70 lbs) to 15.9kg (35 lbs) (see example in figure C).



ASSEMBLY INSTRUCTIONS

1. Secure the hanger bracket (A) to the ceiling outlet box using hanging bracket screws and hanging bracket washers.

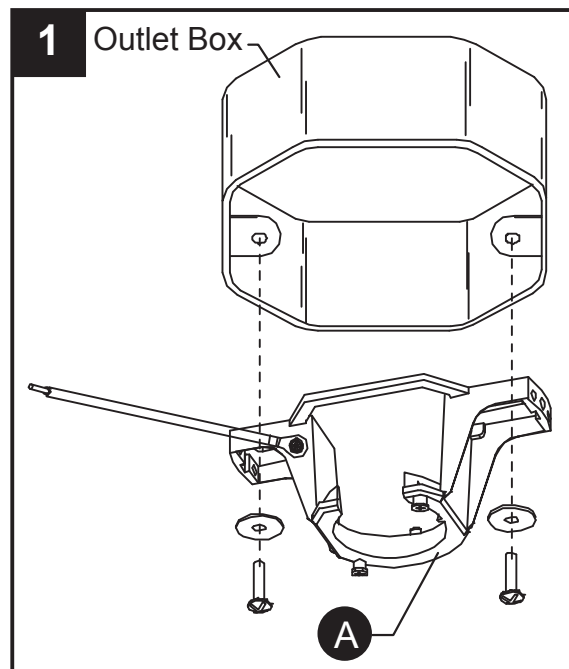
Important: If attaching the fan to a sloped ceiling, make sure open end of mounting bracket is installed facing the roof. Do not install fan on a ceiling with a pitch greater than 20°.

Hardware Used

Hanging Bracket
Screw

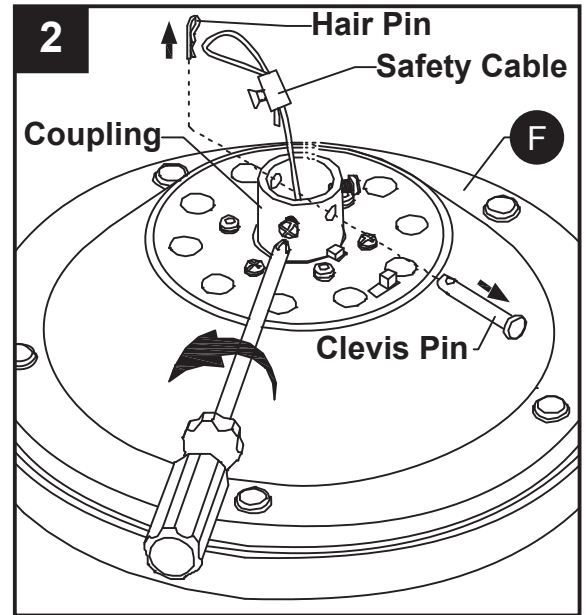


Hanging Bracket
Washer

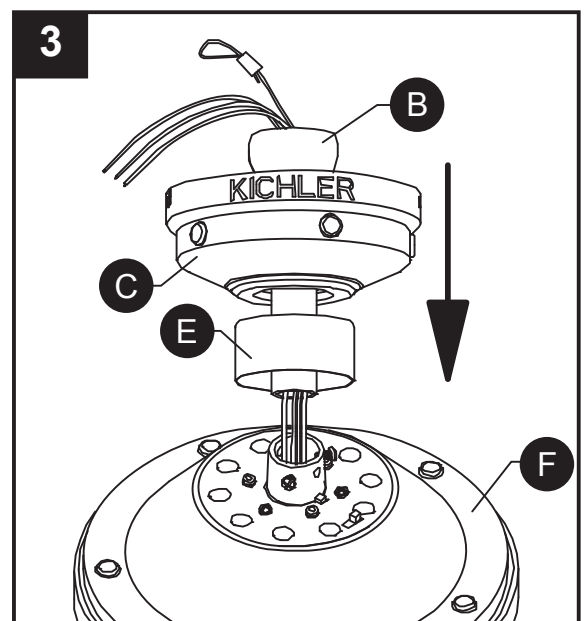


ASSEMBLY INSTRUCTIONS

2. Loosen the set screws found on coupling on top of the motor assembly (F). Then remove the hair and clevis pin that will be used on a later step.

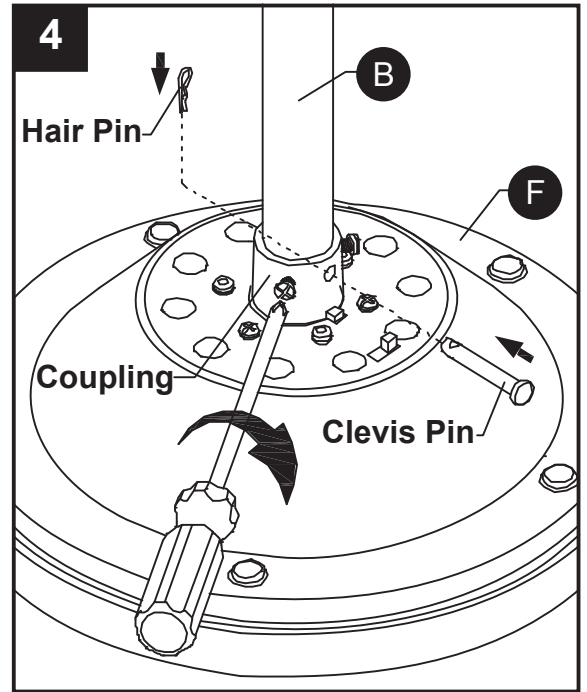


3. Insert down rod (B) through canopy (C), and motor coupling cover (E). Feed wires from the motor assembly (F) through the down rod (B), then insert the down rod (B) into the coupling found on top of the motor assembly (F).

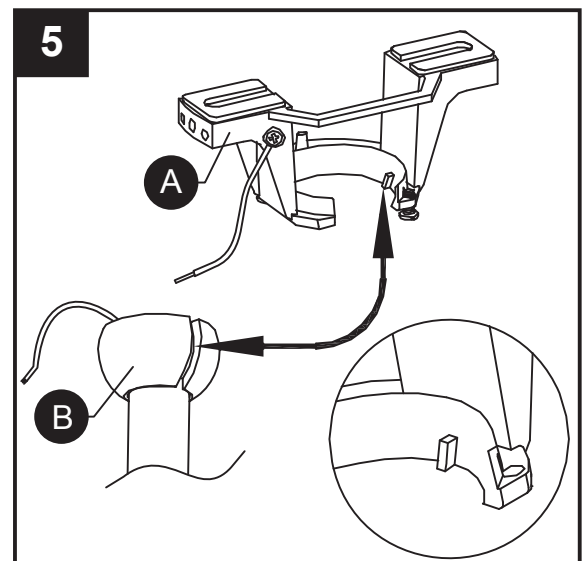


ASSEMBLY INSTRUCTIONS

4. Pass the clevis pin through the down rod (B) and coupling found on the motor assembly (F) then secure with the hair pin. Tighten set screws found on the coupling on the motor assembly (F).



5. Carefully lift the fan and seat the downrod (B)/hanger ball assembly on the hanger bracket (A). Be sure the groove in the ball is lined up with the tab on the hanger bracket (A).



ASSEMBLY INSTRUCTIONS

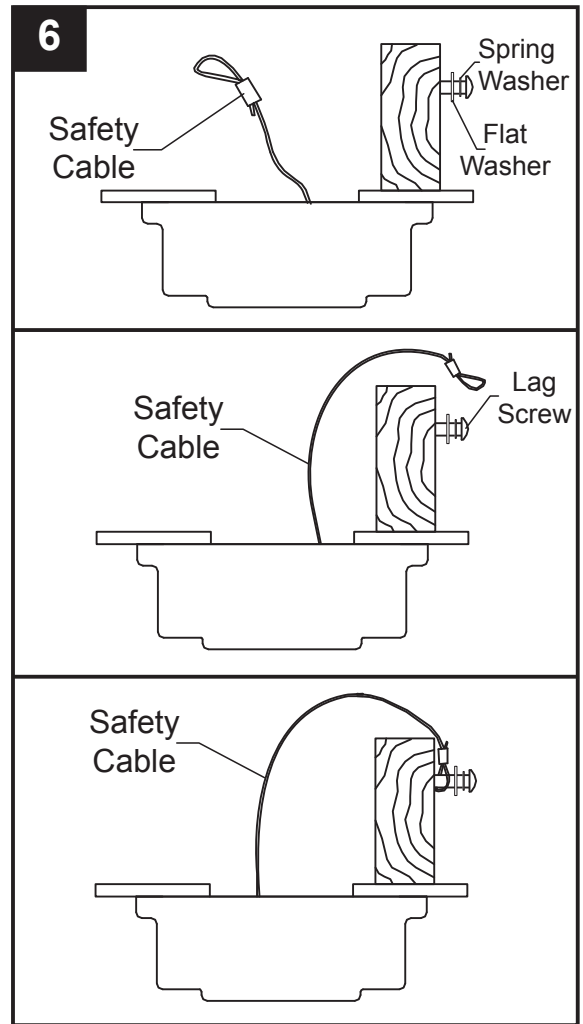
6. For Canadian installation and for USA fans over 35 lbs, the safety cable must be installed into the house structure beams using a 3" lag screw. Make sure that when the safety cable is fully extended the lead wires are longer than the cable and no stress is placed on the lead wires.

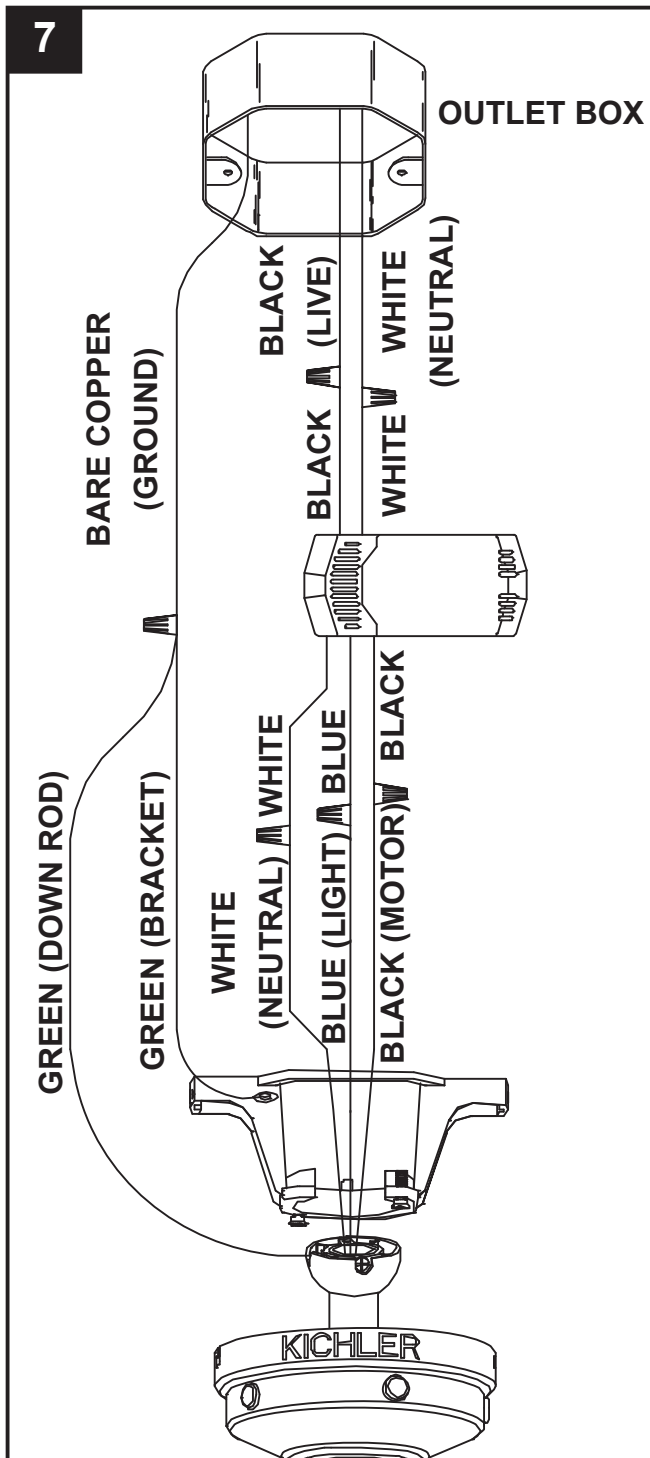
Hardware Used

Lag Screw  x 1

Flat Washer  x 1

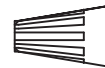
Spring Washer  x 1





Hardware Used

Wire Connector



x 6

7. Wiring the fan per wiring diagram and securely connect wires with wire connectors: Wrap electrical tape (not included) around each wire connector and make sure no bare wire or wire strands are visible after making connections.

- Connect WHITE wire from the fan to WHITE wire marked TO MOTOR N from the receiver.
- Connect BLUE wire from the fan to BLUE wire marked FOR LIGHT from the receiver.
- Connect BLACK wire from the fan to BLACK wire marked TO MOTOR L from the receiver.
- Connect BLACK wire from the outlet box to BLACK wire marked AC IN L from the receiver.
- Connect WHITE wire from the outlet box to WHITE wire marked AC IN N from the receiver.
- Connect GROUND (GREEN) wires from hanger bracket and downrod ball, to GROUND (GREEN or BARE COPPER) from house.

ASSEMBLY INSTRUCTIONS

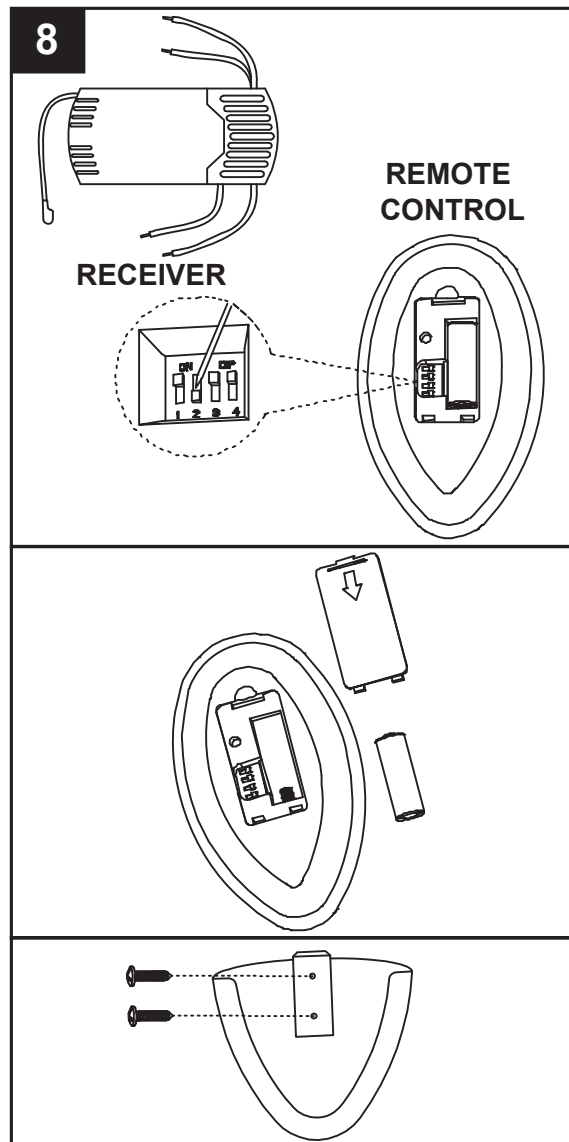
8. There are 16 combinations of code for setting up the remote control. If you do not use the dip switch set up by manufacture then you will need to use the set up procedures listed below.

Remove the remote control battery cover to expose the remote dip switches. Use a small ballpoint pen (not included) to set the dip switches to either up or down.

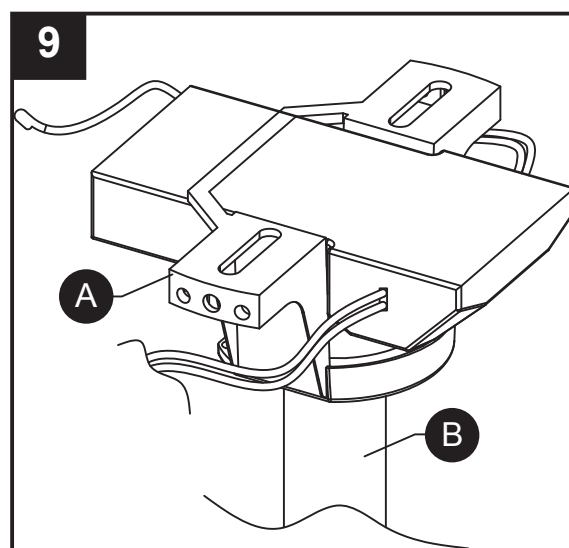
- Install the 23A 12V battery (included) and replace the battery cover you previously removed.
- After installing the unit and restoring power to the fan, press and hold the “Light” button until the light flashes (on/off) 3 times and will stay on, then the control and speed setting process is complete. You must press the “Light” button within 30 seconds of restoring power to the fan.
- If programming is unsuccessful, retry the above instructions.

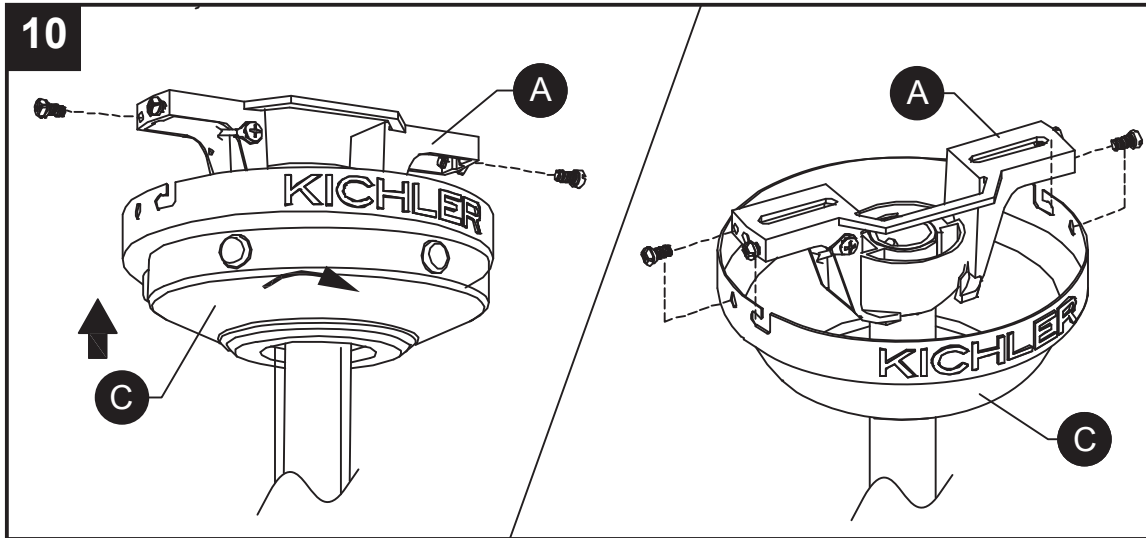
The remote control comes with a cradle that may be attached to the wall with the included screws.

NOTE: Remove batteries if remote has not been used for a long period of time in order to avoid damage. Store remote away from excessive heat or humidity.



9. Once wiring step has been completed, slide the wired remote receiver in between the hanging bracket (A) and the top of the downrod ball (B) with the flat side of the receiver facing the ceiling. Turn lead wires upward and carefully push them into the outlet box, with the white and green wires to one side of the box and the black wires toward the other side.





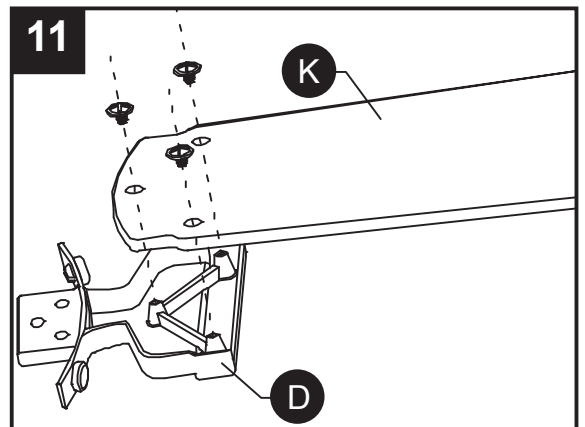
10. Remove two canopy screws that align with the round holes on the canopy (C) and loosen the other two canopy screws making sure not to remove them. Raise canopy (C) over the hanging bracket (A) aligning the screws that remained into the canopy (C). Twist canopy (C) clockwise to secure. Reinstall the two screws that were previously removed into the holes on the canopy (C). Tighten all screws.

11. Attach blade iron (D) to blade (K) with blade screws. Do not tighten blade screws until each screw has been started. Then, tighten each screw starting with the center screw.

Repeat for remaining blades

Hardware Used


Blade Screw  x 15

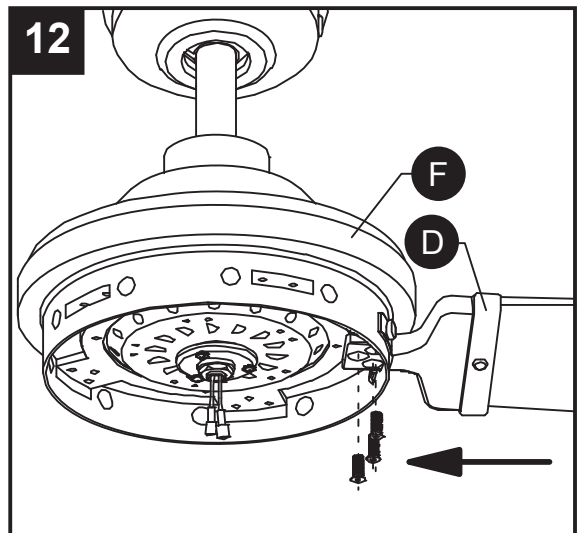


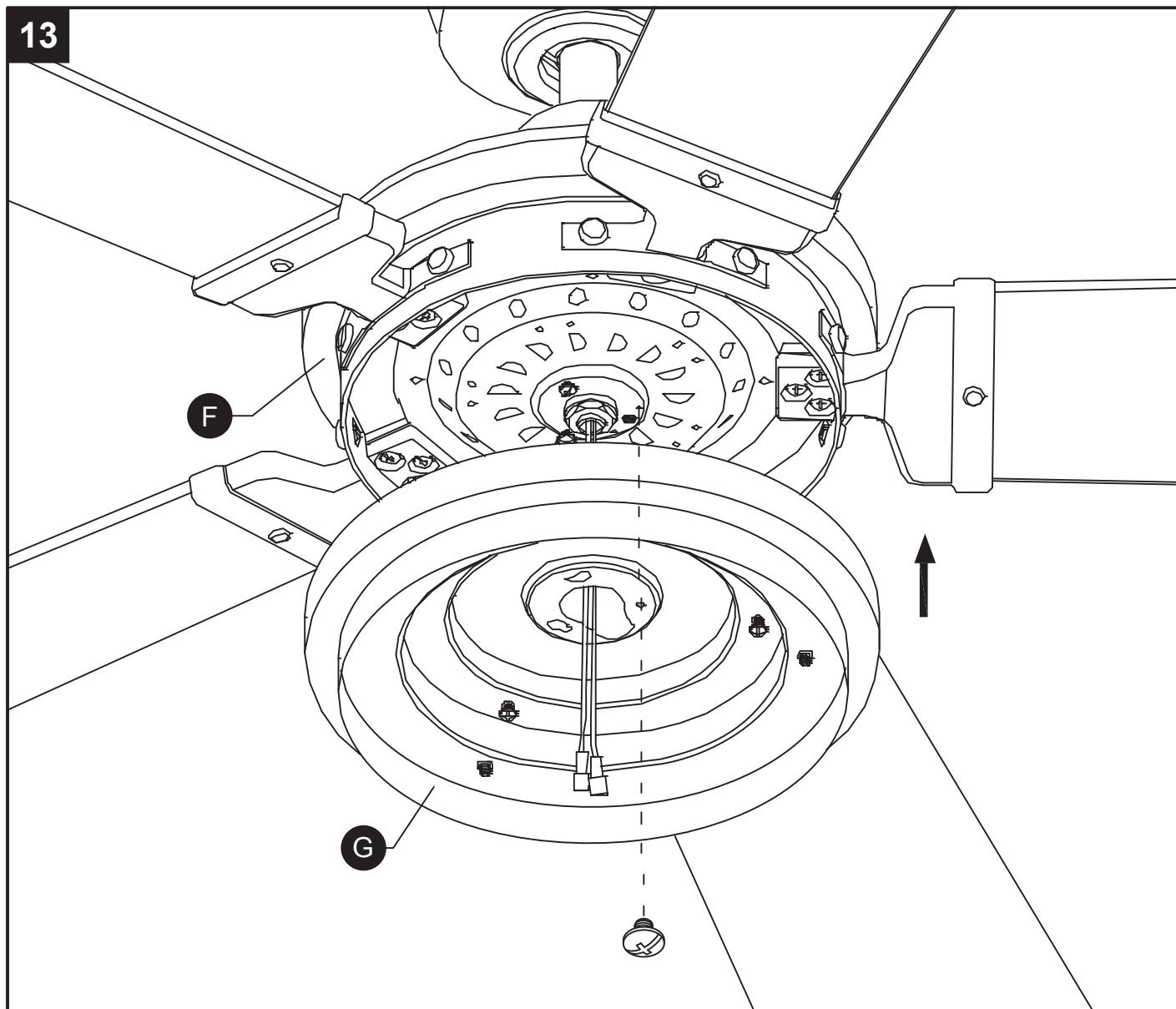
12. Insert blade iron (D) into slot on the motor assembly (F). Align the holes on the blade iron (D) with the holes on the blade holder and secure with the 3 blade iron screws from the hardware bag.

Repeat for remaining blade assemblies

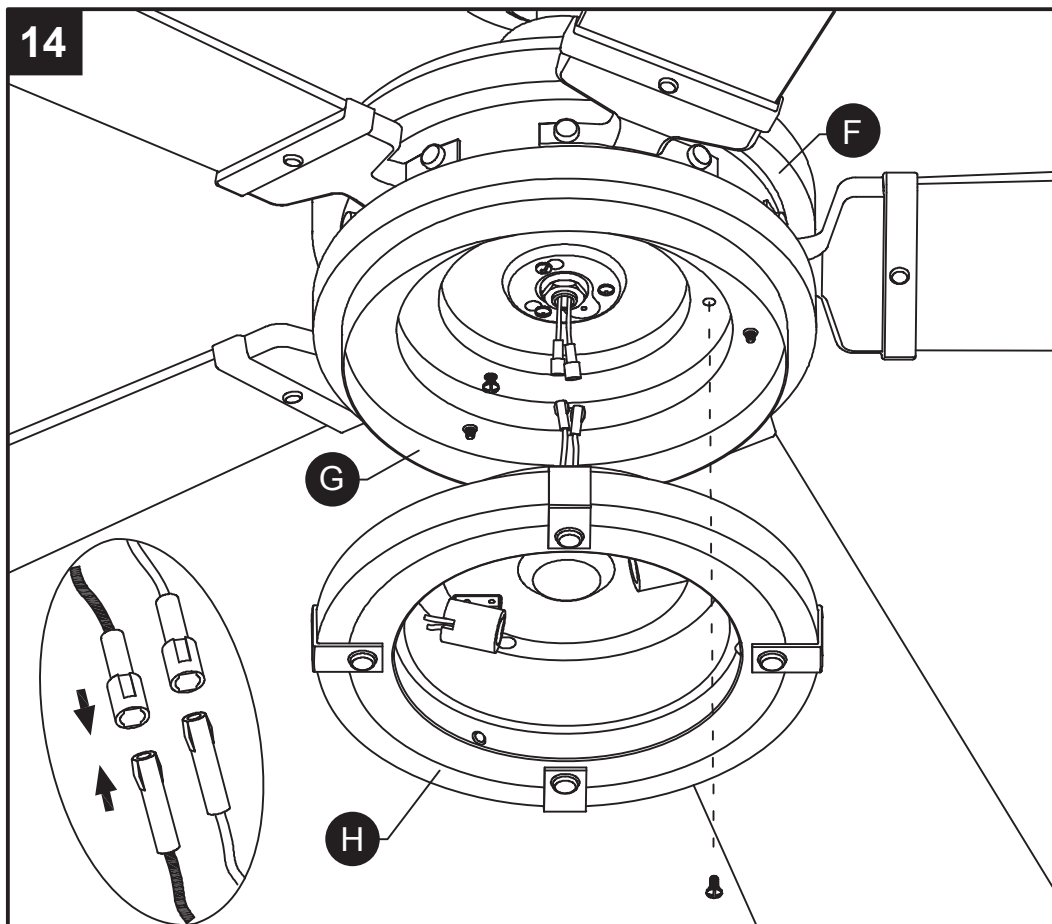
Hardware Used

Blade Iron Screw  x 10





13. Remove the mounting screw marked with a red dot label from the motor assembly (F) and loosen but do not remove the other 2. Feed the wires from the motor assembly (F) through the center hole in the light kit housing (G). Position keyhole slots around the screws and twist clockwise. Insert the screw that you had previously removed. Tighten all screws.



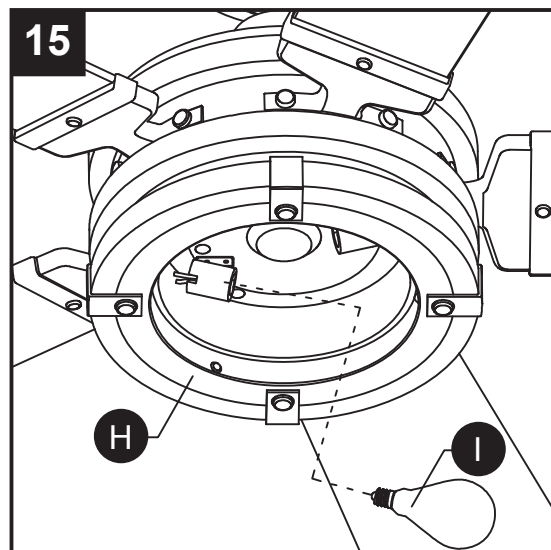
14. Connect wires from the motor assembly (F) to the light kit (H). Remove 1 of 3 screws from the light kit housing (G) and loosen the other 2. Position keyhole slots around the screws and twist clockwise. Insert the screw that you had previously removed. Tighten all screws.

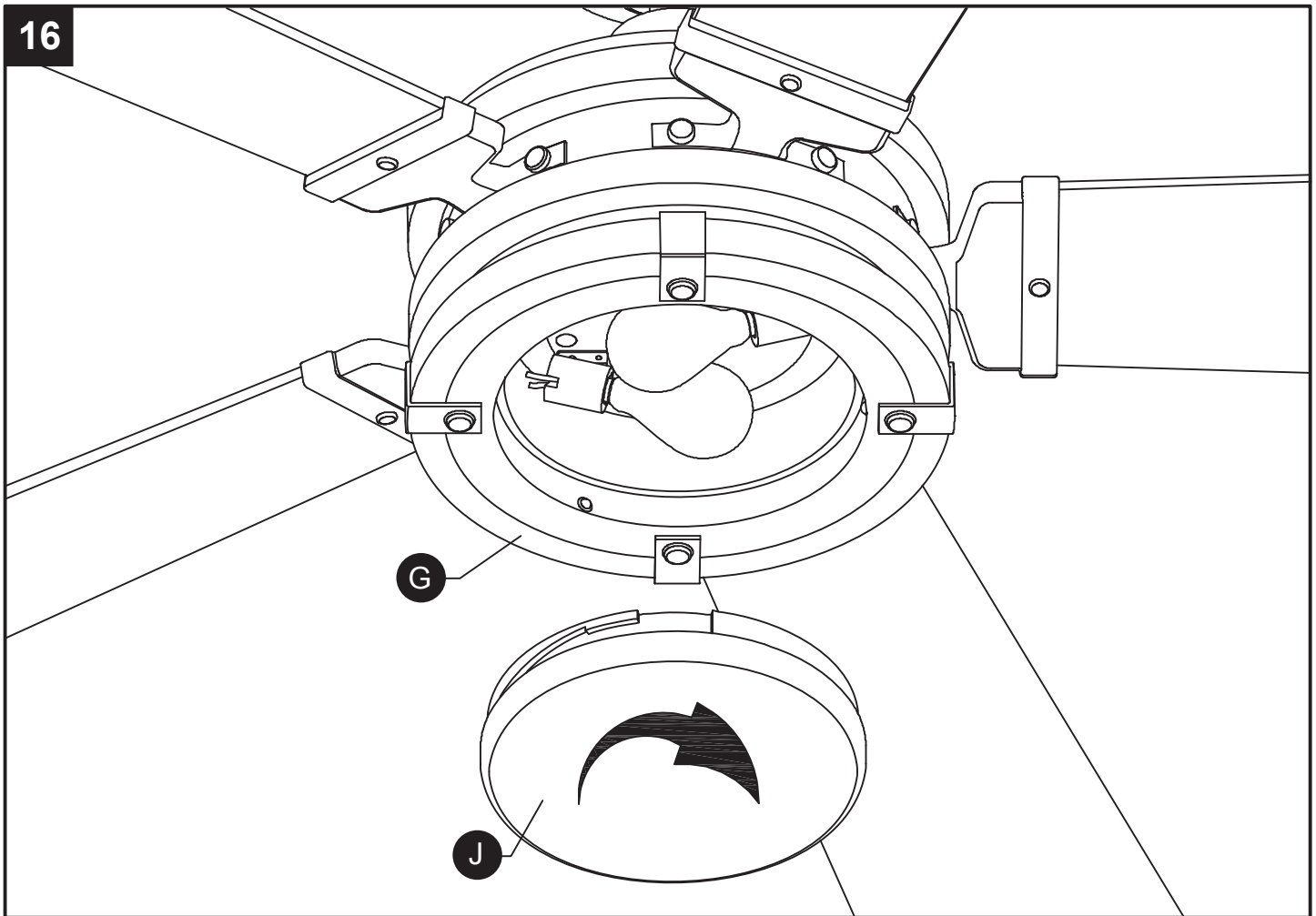
Note: White wire connects to white wire and black wire connects to black wire.

15. Insert LED bulbs (I) into the socket found on the light kit (H). When necessary, replace with bulbs of the same wattage.

CAUTION: An energy-saving wattage limiter is included in the receiver of the fan. When replacing bulbs, ensure bulb wattage is below 190 watts, otherwise the item will not function.

WARNING: To reduce risk of burns, eye damage, or electrical shock, disconnect power and allow bulb to cool for at least 5 minutes before replacing. Do not touch the bulb or look directly at the lamp when in use. Replace glass/shade/diffuser if broken.





16. Raise diffuser (J) to the light kit housing (G). Once in place turn the diffuser (J) clockwise to lock into place.

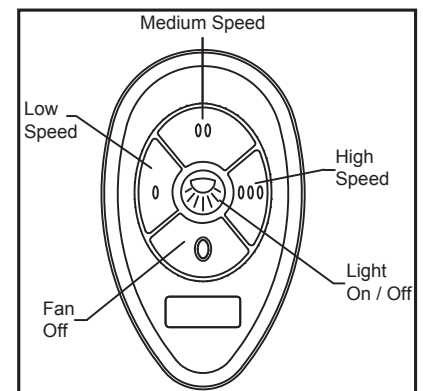
OPERATION


Remove remote battery door, connect battery (included) with plug pressing the battery inside and replace the battery door. If not used for long periods of time, remove the battery to prevent damage to the transmitter.

Fan control :



Low speed
 Medium speed
 High speed
 To turn off the fan
 Press light key quickly to turn light on or off



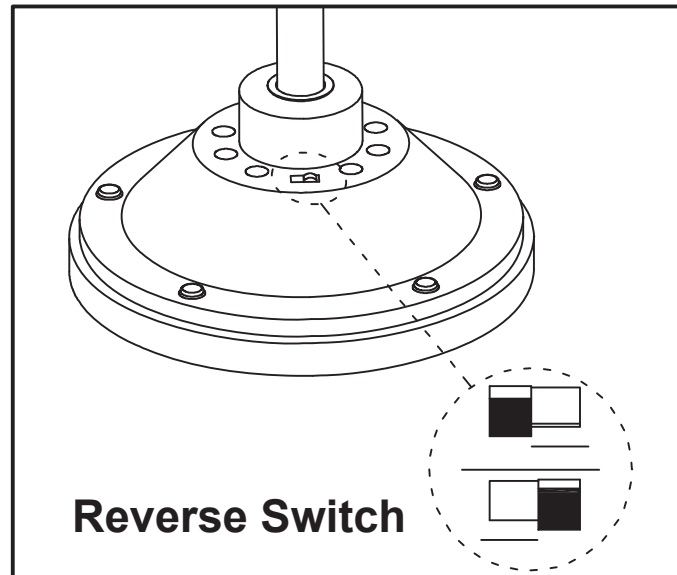
For DIMMER function: press and hold  button to dim the light. The light will cycle from bright to dim to bright until button is released. Light will maintain last setting if turned off.

This remote has a memory function. The remote stores the fan speed and light setting when the fan is turned off. When the fan is turned on again, it starts with the most recent setting.

Use the fan reversing switch to optimize your fan for seasonal performance.

Note: Wait for fan to stop before reversing the switch.

- In warmer weather, counterclockwise movement of the fan will result in downward airflow creating a wind chill effect. Push switch to the left.
- In cooler weather, clockwise movement of the fan will result in upward airflow that can help move stagnant hot air off the ceiling area. Push switch to the right.



STEPS TO BALANCING THE CEILING FAN

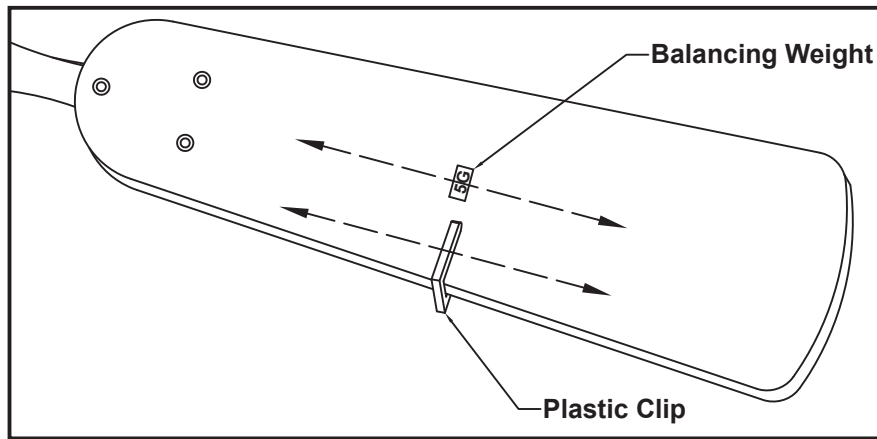
- Tighten screws on the mounting bracket, outlet box, the downrod, fan blades to blade holders, and blade holders to the motor housing.
- Measure the distance from the tip of each blade to the ceiling. All blades should have the same vertical distance from the ceiling. Adjust any bent blade holder, by gently pressing up or down on the brackets, until all blades are at an equal distance from the ceiling.

If wobbling persists, you may need a blade balancing kit to stabilize the ceiling fan. A blade balancing kit consists of a plastic clip and two balancing weights.

Determining the blade that needs to be balanced is a trial-and-error task.

1. Place a numbered piece of masking tape on each blade so you don't lose track of which blade is which.
2. One blade at a time, attach the slotted plastic clip over the center of the blade edge and turn the fan on. Observe which blade has the clip on when the ceiling fan wobbles the least.
3. Place the plastic clip on the edge of the blade, halfway between the blade holder and the blade tip. Turn fan on and determine improvement.
4. If there is no improvement, turn off the fan again. Slide the clip along the length of the blade to locate the source of instability.
5. Once you've found the faulty blade, press a balancing weight on the centerline. The weight should be parallel to the clip.

STEPS TO BALANCING THE CEILING FAN (continued)



FCC WARNING

This device complies with part 15 of the FCC Rules. Operation is subject to the following two conditions: (1) This device may not cause harmful interference, and (2) this device must accept any interference received, including interference that may cause undesired operation.

Changes or modifications not expressly approved by the party responsible for compliance could void the user's authority to operate the equipment.

NOTE: This equipment has been tested and found to comply with the limits for a Class B digital device, pursuant to part 15 of the FCC Rules. These limits are designed to provide reasonable protection against harmful interference in a residential installation. This equipment generates, uses and can radiate radio frequency energy and, if not installed and used in accordance with the instructions, may cause harmful interference to radio communications. However, there is no guarantee that interference will not occur in a particular installation. If this equipment does cause harmful interference to radio or television reception, which can be determined by turning the equipment off and on, the user is encouraged to try to correct the interference by one or more of the following measures:

Reorient or relocate the receiving antenna, increase the separation between the equipment and receiver, and connect the equipment into an outlet on a circuit different from that to which the fan is connected.

CARE AND MAINTENANCE

At least twice a each year tighten all screws and lower canopy to check mounting bracket screws and downrod assembly. Clean fan housing with only a soft brush or lint free cloth to avoid scratching the finish. Clean blades with a lint free cloth. Shut off main power supply before beginning any maintenance. Do not use water or a damp cloth to clean the ceiling fan.

WARRANTY

Kichler offers the following limited lifetime warranty to the Original Purchaser of a Kichler Ceiling Fan: if the Fan's motor or motor-related parts should fail due to what Kichler, in its sole discretion, determines to be a defect in material or workmanship, Kichler will, at its option, either repair or replace the defective part free of charge.

Except as provided below, for one (1) year following the purchase date, if any part other than the motor or motor-related parts, including, but not limited to, blades, light kits, downrods, switches, housing, or finish should fail due to what Kichler, in its sole discretion, determines to be a defect in material or workmanship, Kichler, at its option, will repair or replace the defective part free of charge.

To replace a product that has a warranted defect, the Original Purchaser shall return any allegedly defective parts or products to the authorized Kichler distributor that the product was purchased from with PROOF OF PURCHASE, Original Purchaser's name and return address and a description of the claimed product defect.

If any of the warranted products are found by Kichler, in its sole discretion, to be defective, such products will, at Kichler's sole option and cost, be replaced, repaired or refunded less an amount directly attributable to Original Purchaser's prior use of the product. Kichler will return the repaired or replaced product prepaid freight. This warranty does not cover labor or other costs or expenses to remove or install any defective, repaired or replaced product.

The parties hereto expressly agree that Original Purchaser's sole and exclusive remedy against Kichler shall be for the repair, replacement or refund of defective products as provided herein. This warranty extends only to product ownership by the Original Purchaser; is not transferable whether to heirs, subsequent owners, or otherwise; and is void if the Original Purchaser ceases to own the product.

This warranty does not apply to any products that have been subjected to misuse, mishandling, misapplication, connected to voltage at more than 5% above standard North American voltage, unusual use (including but not limited to use in an environment where the annual average ambient operating temperature is below 27 or above 95 degrees Fahrenheit), neglect (including but not limited to improper maintenance), accident, acts of god such as high winds, improper installation or care, failure to follow the Product's written instructions for normal use and care, improper packaging of products returned to Kichler, modification (including but not limited to use of unauthorized parts or attachments), or adjustment or repair. Significant product exposure to chemicals, harsh cleaners, salt water or salt air will void any and all warranties on exterior finishes. This warranty only applies when all components, including transformers, have been provided by Kichler. Substituting another manufacturer's product and/or components will render the warranty completely void.

THIS WARRANTY GIVES YOU SPECIFIC LEGAL RIGHTS. YOU MAY ALSO HAVE OTHER RIGHTS, WHICH VARY FROM STATE TO STATE. SOME STATES DO NOT ALLOW LIMITATIONS ON HOW LONG AN IMPLIED WARRANTY LASTS OR THE EXCLUSION OR LIMITATION OF INCIDENTAL OR CONSEQUENTIAL DAMAGES SO THE ABOVE LIMITATIONS OR EXCLUSIONS MAY NOT APPLY TO YOU.

THE FOREGOING WARRANTY IS IN LIEU OF ALL OTHER WARRANTIES, EXPRESS OR IMPLIED, INCLUDING THOSE OF MERCHANTABILITY, FITNESS FOR ANY PARTICULAR PURPOSE OR INFRINGEMENT. ORIGINAL PURCHASER SHALL IN NO EVENT BE ENTITLED TO, AND KICHLER LIGHTING SHALL NOT BE LIABLE FOR, INDIRECT, SPECIAL, INCIDENTAL OR CONSEQUENTIAL DAMAGES OF ANY NATURE, INCLUDING, BUT NOT LIMITED TO LOSS OF PROFIT, PROMOTIONAL AND/OR MANUFACTURING EXPENSES, OVERHEAD, INJURY TO REPUTATION AND/OR LOSS OF CUSTOMERS.

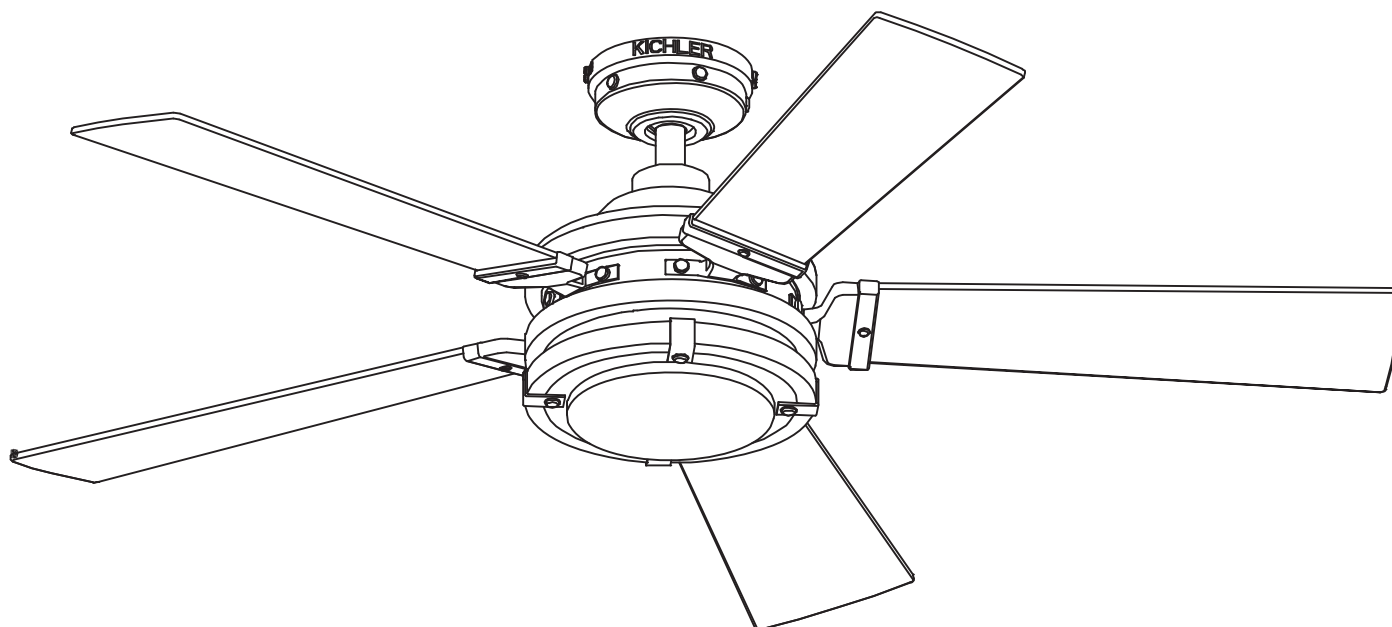
KICHLER®

Kichler® est une marque déposée de
The L.D. Kichler Co. Tous droits réservés.

ARTICLE #0577412

VENTILATEUR DE PLAFOND

MODÈLE #35170

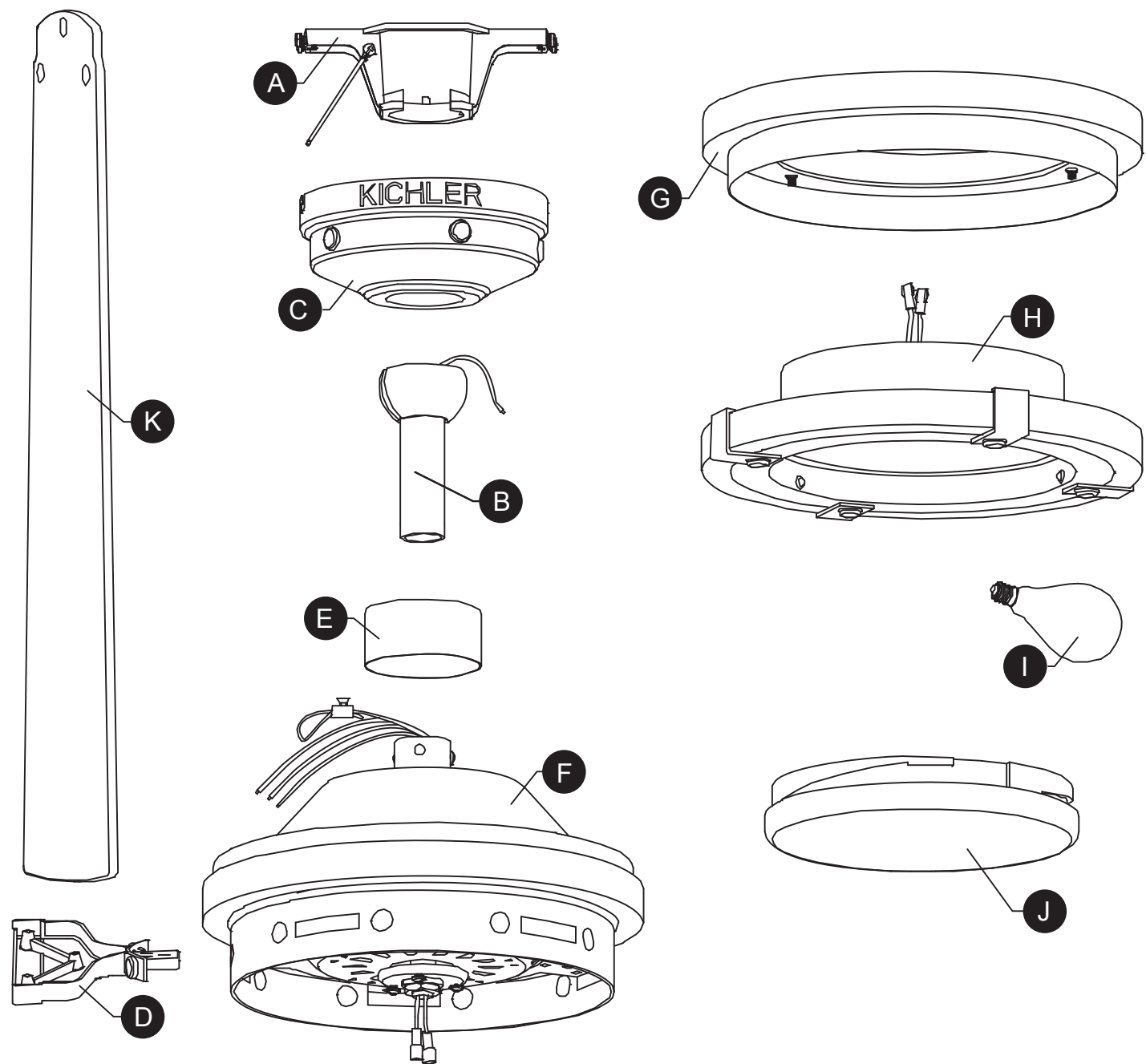


JOIGNEZ VOTRE REÇU ICI

Numéro de série _____ Date d'achat _____



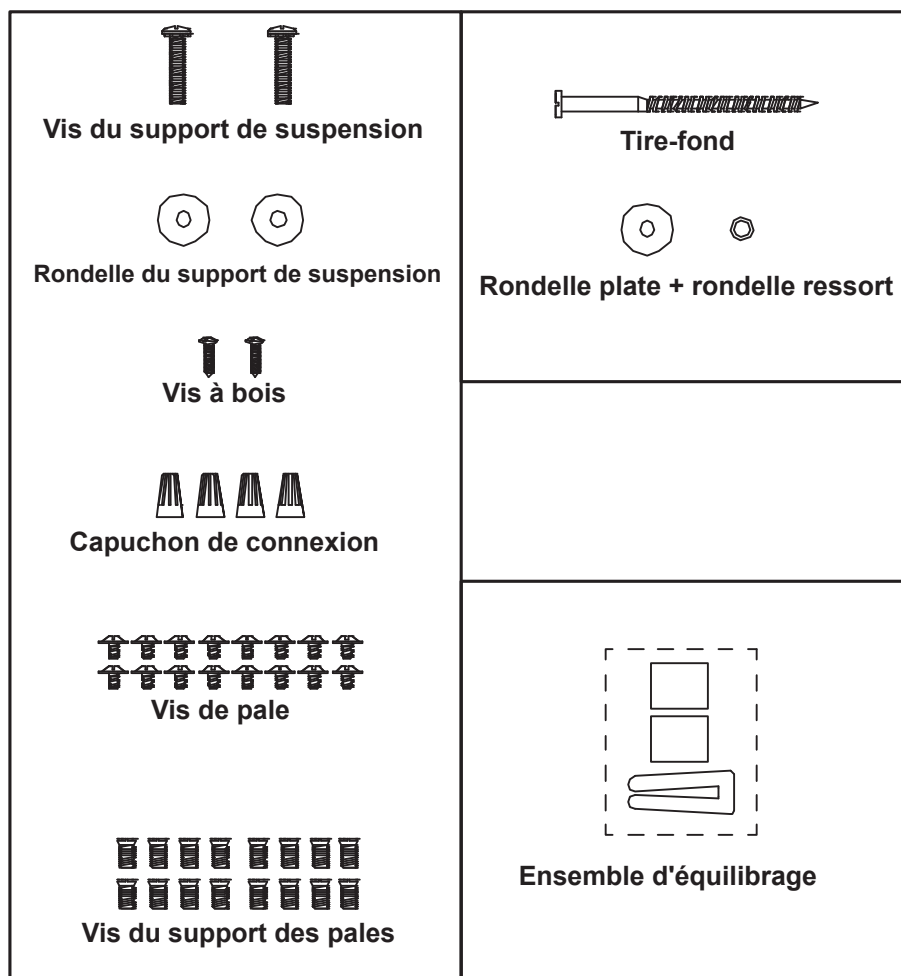
Des questions, des problèmes, des pièces manquantes? Avant de retourner le produit à votre détaillant, appelez notre service à la clientèle au **1-800-554-6504**, entre 8 h et 16 h 30 (HNE) du lundi au vendredi.



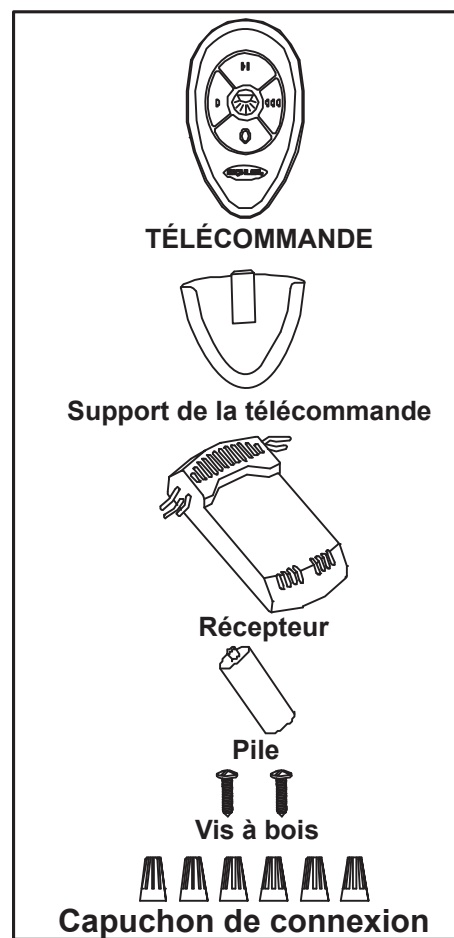
PIÈCE	DESCRIPTION	QTÈ
A	Support de suspension	1
B	Tige	1
C	Pavillon	1
D	Support des pales	5
E	Cache raccord du moteur	1
F	Ensemble moteur	1

PIÈCE	DESCRIPTION	QTÈ
G	Logement du kit d'éclairage	1
H	Kit d'éclairage	1
I	Ampoule à DEL de 5 watts type A-15	2
J	Diffuseur	1
K	Pale	5

SACHET DE QUINCAILLERIE



TÉLÉCOMMANDE



! CONSIGNES DE SÉCURITÉ

Veillez lire et assurez-vous d'avoir compris l'intégralité du présent guide avant d'assembler, d'utiliser ou d'installer ce produit. Si vous avez des questions concernant ce produit, veuillez appeler le service client au +1-800-554-6504, entre 8h et 16h30, HNE.

AVERTISSEMENT :

- Important : Lorsque vous utilisez une boîte de sortie existante, assurez-vous que la boîte est fermement attachée à la structure du bâtiment et peut supporter le poids total du ventilateur. Le non-respect de cette recommandation peut entraîner des blessures graves ou la mort.
- Coupez les disjoncteurs et l'interrupteur mural qui contrôlent les fils d'alimentation du ventilateur. Avertissement : Si l'alimentation électrique n'est pas coupée avant l'installation, il peut en résulter de graves blessures ou la mort.
- Avertissement – Connecter ce ventilateur à un interrupteur pour lampe (marche/arrêt) endommage le récepteur. Ce ventilateur doit être câblé afin de recevoir du courant en continu. Le non-respect de cette recommandation réduira considérablement la durée de vie de ce ventilateur.
- Ne pas installer sur un plafond incliné à plus de 20°.
- AVERTISSEMENT – Pour réduire le risque d'incendie, de choc électrique ou de blessures corporelles, installez le ventilateur sur une boîte de sortie marquée "Convient pour supporter un ventilateur de 15,9 kg (35 lb) maximum" et utilisez les vis de montage fournies avec la boîte de sortie et/ou fixez directement sur la structure du bâtiment. La plupart des boîtes de sortie utilisées couramment comme support de luminaires ne conviennent pas au support d'un ventilateur et devront être remplacées. Consultez un électricien qualifié de cas de doute.
- IMPORTANT : Assurez-vous que le boîtier de connexion est correctement mis à la terre ou qu'un fil de terre (vert) est présent.

AVERTISSEMENT (suite)

- Assurez-vous que le site d'installation choisi offre une hauteur minimum de 2,13 m (7 pi) entre le sol et le dessous des pales.
- Pour réduire les risques d'incendie ou de choc électrique, n'utilisez pas ce ventilateur avec une commande de vitesse à semi-conducteurs ou une commande de variation de vitesse.

PRÉPARATION

Avant de commencer l'assemblage du produit, assurez-vous que toutes les pièces sont présentes. Comparez les pièces avec la liste du contenu de l'emballage et la liste de la quincaillerie. En cas de pièces manquantes ou endommagées, ne tentez pas d'assembler le produit.

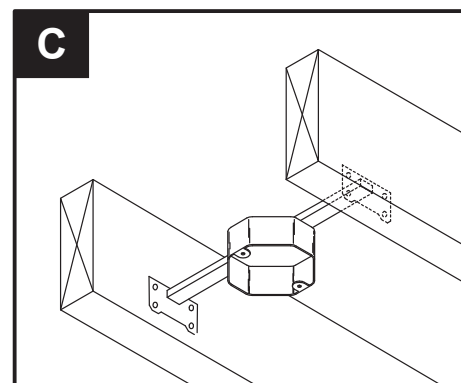
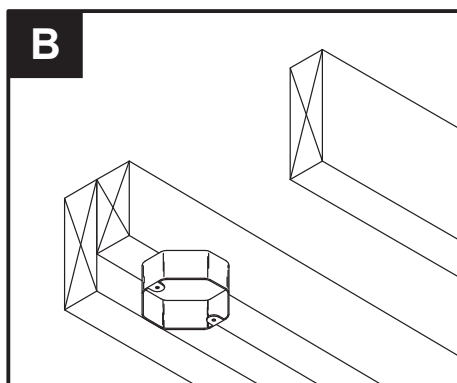
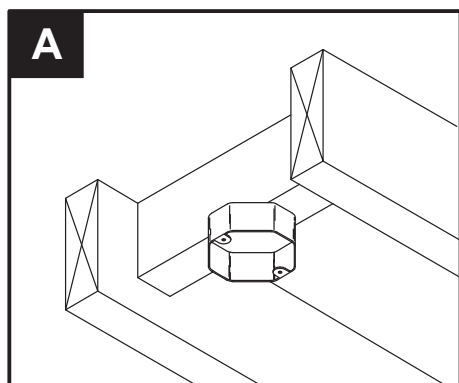
Remarque : Ce ventilateur se monte de deux manières différentes. La marche à suivre varie selon le type de montage que vous choisissez.

Temps d'assemblage approximatif : de 30 à 60 minutes.

Outils nécessaires pour l'assemblage (non inclus) : tournevis cruciforme, tournevis à tête plate, pinces à dénuder, ruban isolant, escabeau, lunettes de sécurité.

INSTRUCTIONS POUR L'ASSEMBLAGE

- **AVERTISSEMENT** – Pour réduire le risque d'incendie, de choc électrique ou de blessures corporelles, installez le ventilateur sur une boîte de sortie marquée "Convient pour supporter un ventilateur de 15,9 kg (35 lb) maximum" et utilisez les vis de montage fournies avec la boîte de sortie et/ou fixez directement sur la structure du bâtiment. La plupart des boîtes de sortie utilisées couramment comme support de luminaires ne conviennent pas au support d'un ventilateur et devront être remplacées. Consultez un électricien qualifié de cas de doute.
- **Avertissement** - Risque d'incendie, de choc électrique ou de blessures corporelles. Les ventilateurs de plafond peuvent être fixés directement sur un élément porteur de la structure du bâtiment (voir exemples sur les figures A et B) et/ou être montés sur une boîte de sortie marquée "Convient pour supporter un ventilateur de 15,9 kg (35 lb) à 31,8 kg (70 lb)" (voir exemple sur la figure C).



INSTRUCTIONS POUR L'ASSEMBLAGE

1. Fixez le support de suspension (A) à la boîte de sortie du plafond à l'aide des vis et des rondelles fournies avec le support de suspension.

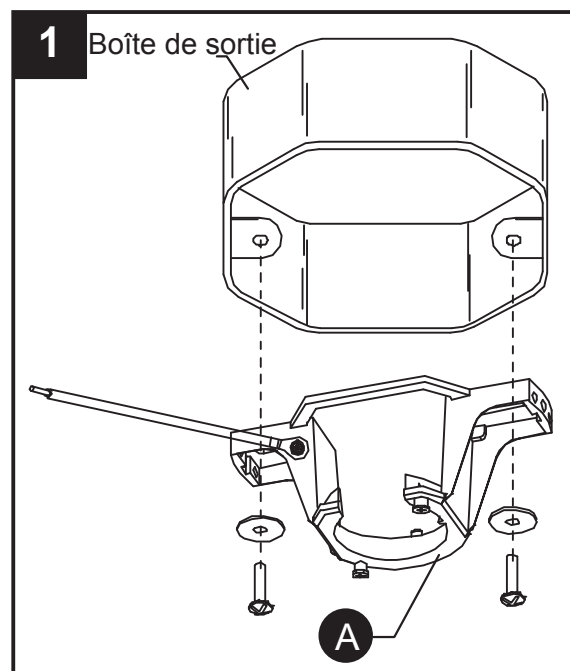
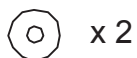
Important : Si vous fixez le ventilateur sur un plafond incliné, assurez-vous que l'extrémité ouverte du support de fixation est installée face au toit. Ne pas installer de ventilateur sur un plafond incliné à plus de 20°.

Quincaillerie utilisée

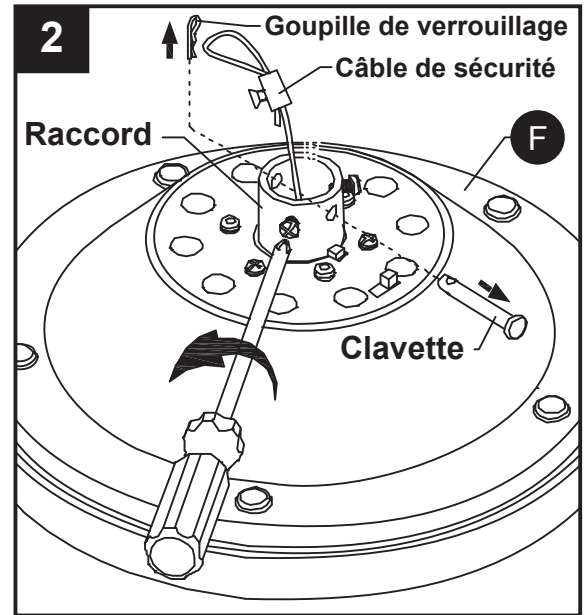
Vis du support
de suspension



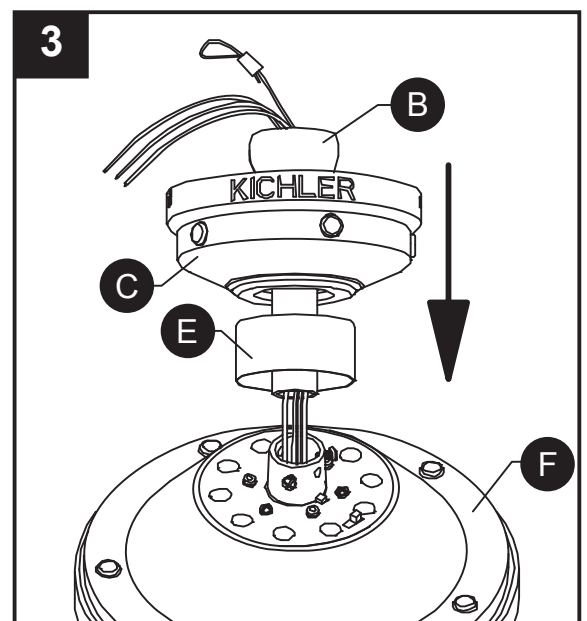
Rondelle du support
de suspension



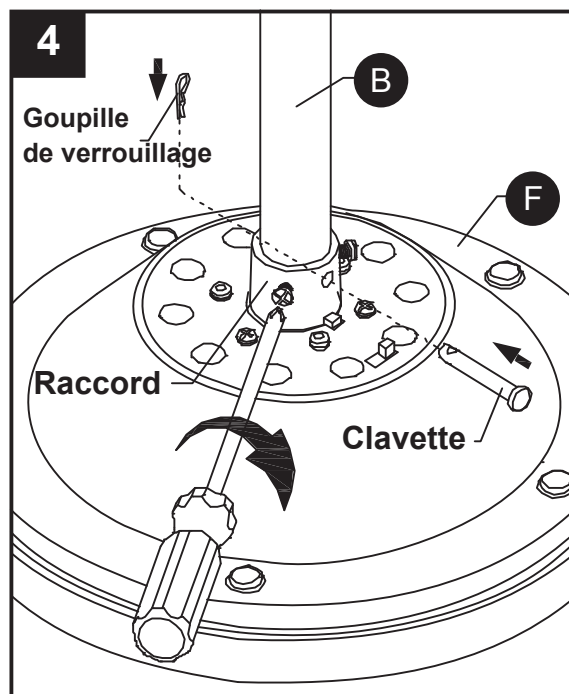
2. Desserrez les vis de réglage situées sur le raccord au-dessus de l'ensemble moteur (F). Puis retirez la goupille de verrouillage et la clavette qui seront utilisées dans une étape ultérieure.



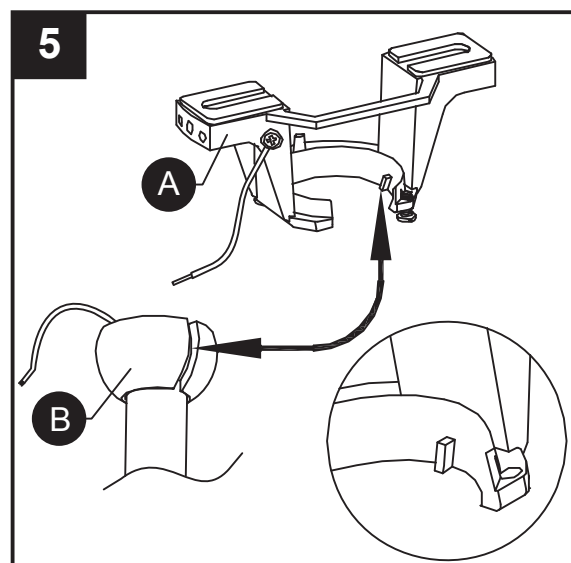
3. Insérez la tige de suspension (B) à travers le pavillon (C) et le cache raccord du moteur (E). Enfilez les câbles de l'ensemble moteur (F) dans la tige de suspension (B), puis insérez la tige (B) dans le raccord situé au sommet de l'ensemble moteur (F).



4. Faites passer la clavette à travers la tige (B) et le raccord situé sur l'ensemble moteur (F) et fixez à l'aide de la goupille de verrouillage. Serrez les vis de réglage situées sur l'ensemble moteur (F).



5. Soulevez le ventilateur avec précaution et placez l'ensemble tige (B)/boule de suspension sur le support de suspension (A). Prenez soin d'aligner la rainure de la boule avec la languette du support de suspension (A).




INSTRUCTIONS POUR L'ASSEMBLAGE

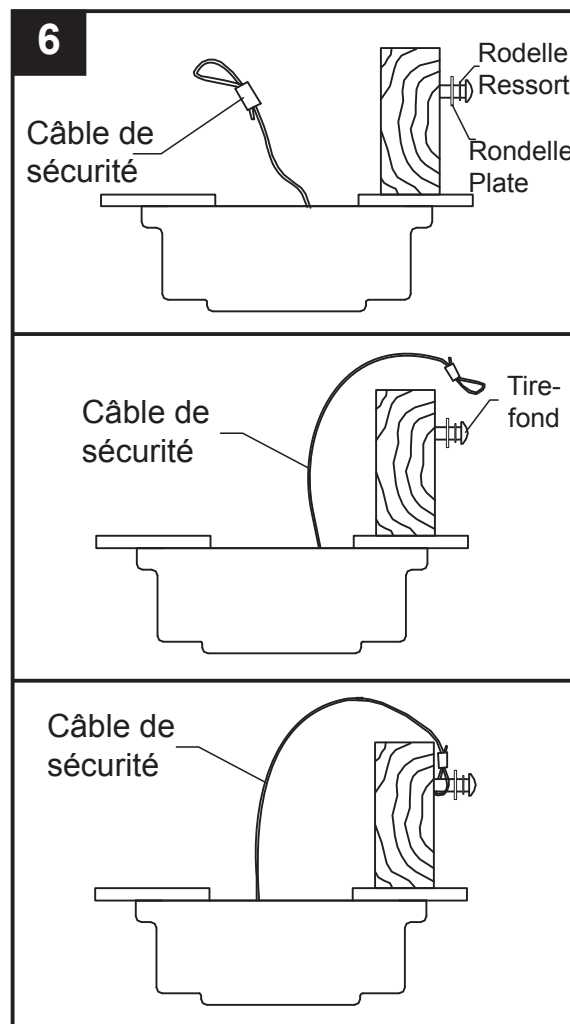
6. Pour une installation au Canada et pour les ventilateurs de plus de 15,8 kg (35 lbs) aux É.-U., le câble de sécurité doit être fixé à une poutre porteuse de la maison à l'aide d'un tire-fond de 76 mm (3 po). Assurez-vous que lorsque le câble de sécurité est entièrement déplié, les fils de connexion sont plus longs que lui et ne subissent aucune contrainte.

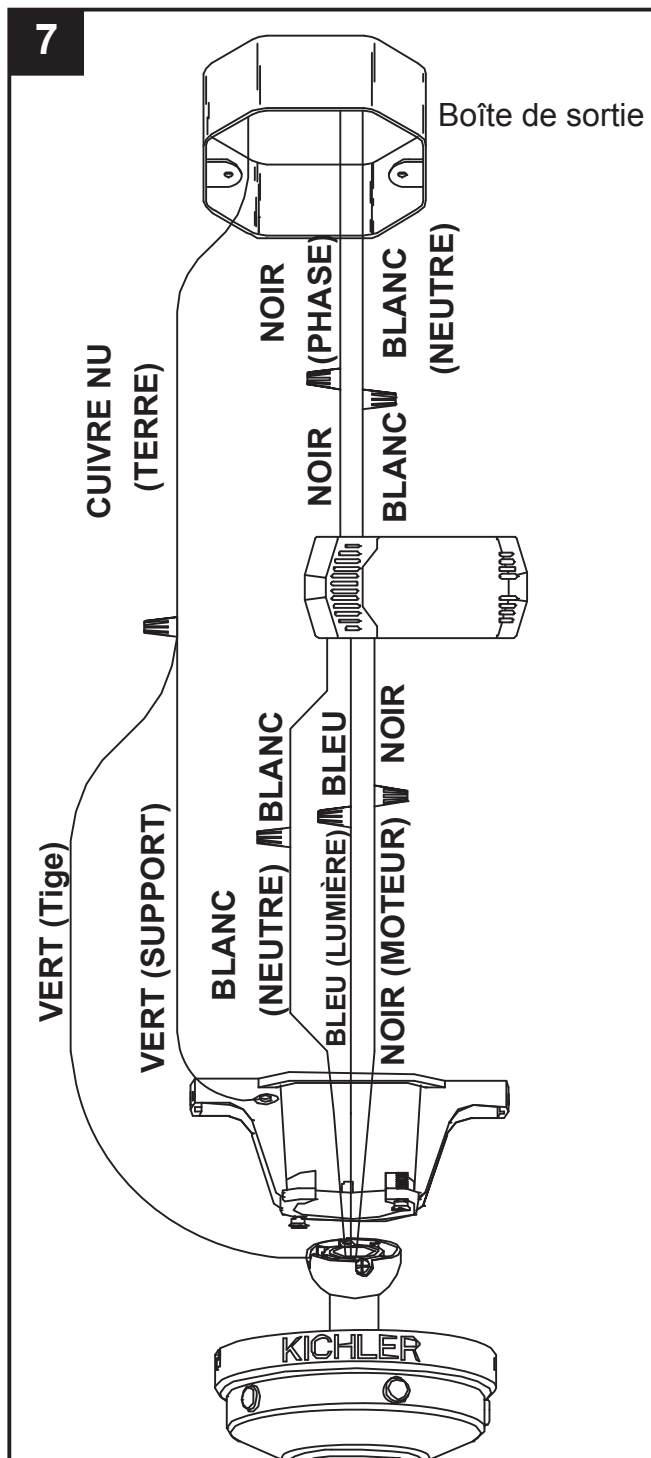
Quincaillerie utilisée

Tire-fond  x 1

Rondelle plate  x 1

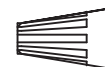
Rondelle ressort  x 1





Quincaillerie utilisée

Capuchon de connexion



x 6

7. Réalisez le câblage du ventilateur conformément au schéma de câblage et connectez fermement les fils à l'aide des connecteurs de fils : Enroulez du ruban isolant (non fourni) autour de chaque connecteur de fils et assurez-vous qu'aucun fil nu ou toron n'est visible une fois la connexion réalisée.
- Connectez le fil blanc du ventilateur au fil blanc marqué TO MOTOR N du récepteur.
 - Connectez le fil BLEU du ventilateur au fil BLEU du récepteur.
 - Connectez le fil NOIR du ventilateur au fil noir marqué TO MOTOR L du récepteur.
 - Connectez le fil noir de la boîte de sortie au fil noir marqué AC IN L du récepteur.
 - Connectez le fil blanc de la boîte de sortie de fil blanc marqué AC IN N du récepteur.
 - Connectez les fils de TERRE (VERT) du support de suspension et de la boule de la tige, à la TERRE (VERT ou CUIVRE NU) de la maison.

INSTRUCTIONS POUR L'ASSEMBLAGE

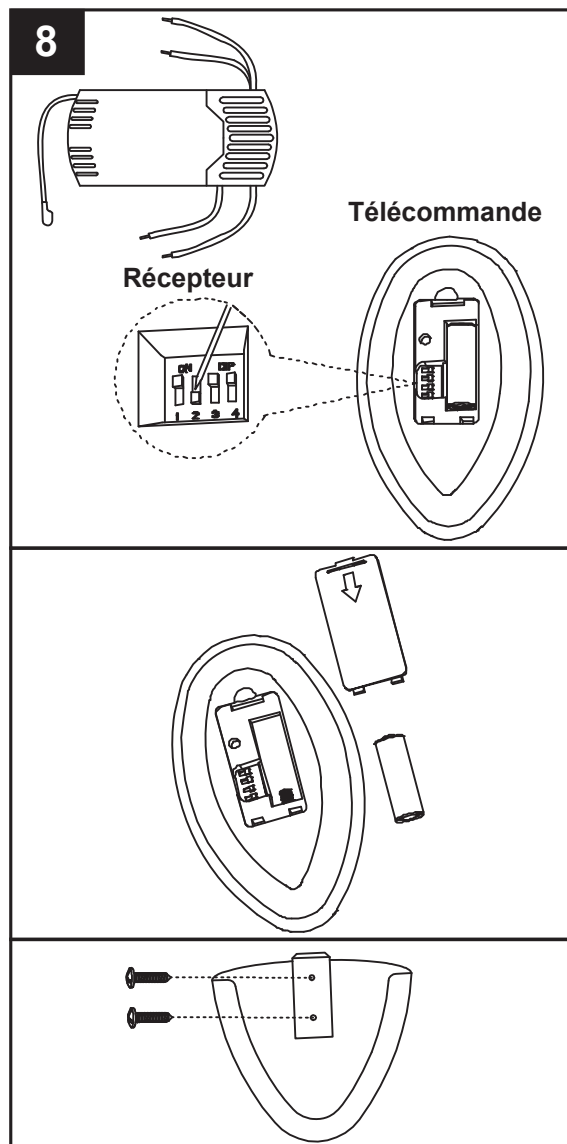
8. Il existe 16 combinaisons de code pour le réglage de la télécommande. Si vous n'utilisez pas le réglage usine de l'interrupteur DIP, vous devrez suivre les procédures de réglage décrites ci-dessous.

Retirez le couvercle du compartiment à piles pour accéder aux interrupteurs DIP de la télécommande. Utilisez un stylo à bille fine (non fourni) pour faire glisser les interrupteurs DIP vers le haut ou vers le bas.

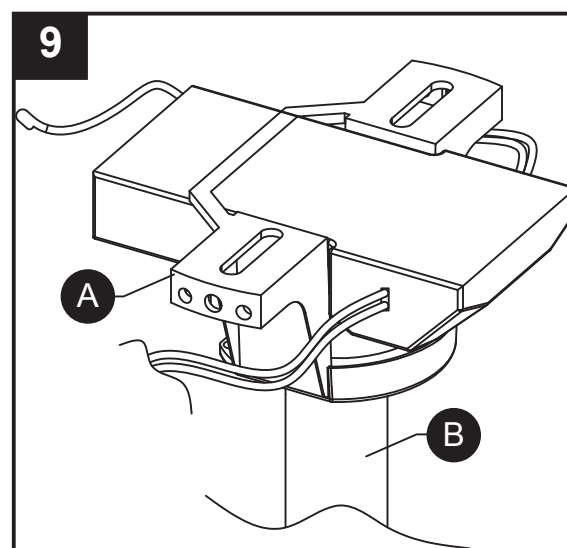
- a.) Installez la 23A 12V pile (fournie) et remettez en place le couvercle de la pile retiré plus tôt.
- b.) Après avoir installé le ventilateur et l'avoir mis sous tension, maintenez appuyé le bouton "Light" (lumière) jusqu'à ce que la lumière clignote 3 fois et restera sur. Le processus de réglage de la commande et de la vitesse est alors terminé. Vous devez appuyer sur le bouton "Light" dans les 30 secondes suivant la remise sous tension du ventilateur.
- c.) Si la programmation échoue, essayez à nouveau les instructions ci-dessus.

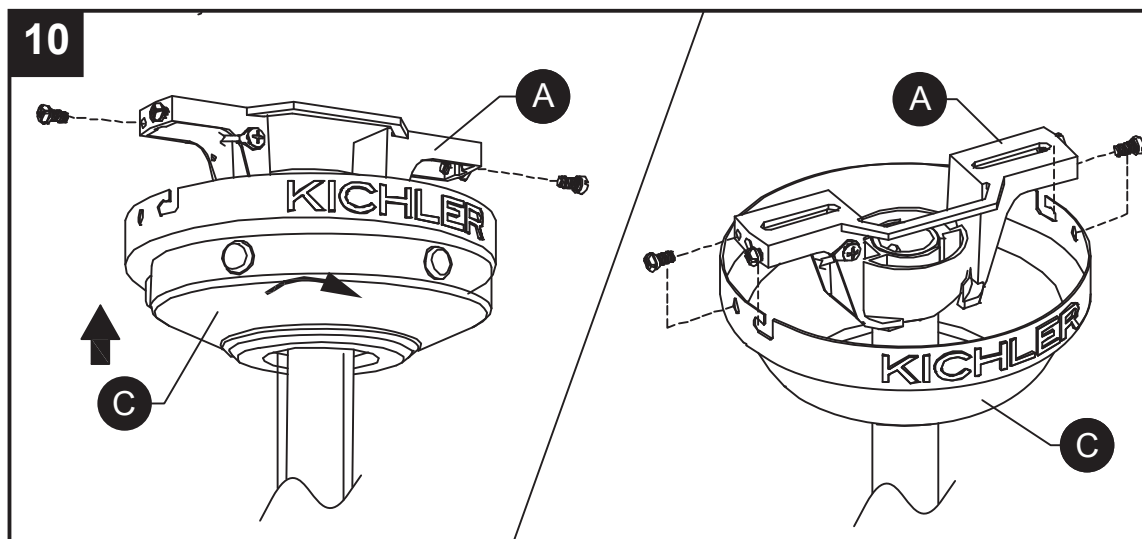
La télécommande est livrée avec un support qui peut être fixé au mur à l'aide des vis fournies.

REMARQUE : Retirez les piles de la télécommande en cas de non-utilisation prolongée afin d'éviter tout dommage. Rangez la télécommande à l'abri de la chaleur excessive ou de l'humidité.



9. Une fois le câblage réalisé, insérez le récepteur distant câblé entre le support de suspension (A) et le sommet de la boule de suspension (B) en plaçant la partie plate du récepteur face au plafond. Tournez les fils vers le haut et poussez-les délicatement dans la boîte de sortie, en plaçant les fils blanc et vert d'un côté de la boîte et le fil noir de l'autre côté.





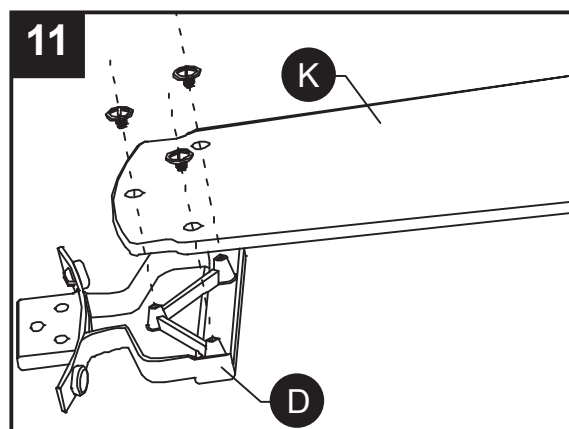
10. Retirez les deux vis du pavillon qui s'alignent avec les trous ronds du pavillon (C) et desserrez les deux autres vis du pavillon en prenant soin de ne pas les enlever. Soulevez le pavillon (C) et placez-le contre le support de suspension (A) en alignant les vis restantes sur le pavillon (C). Faites tourner le pavillon (C) dans le sens horaire pour le fixer. Remettez en place les deux vis préalablement enlevées dans les trous du pavillon (C). Serrez toutes les vis.

11. Attachez la fixation de pale (D) sur la pale (K) à l'aide des vis pour pale. Ne serrez pas les vis de pale avant que chaque vis ne soit en place. Puis, serrez chaque vis en commençant par la vis centrale.

Répétez l'opération pour les pales restantes.

Quincaillerie utilisée

Vis de pale  x 15

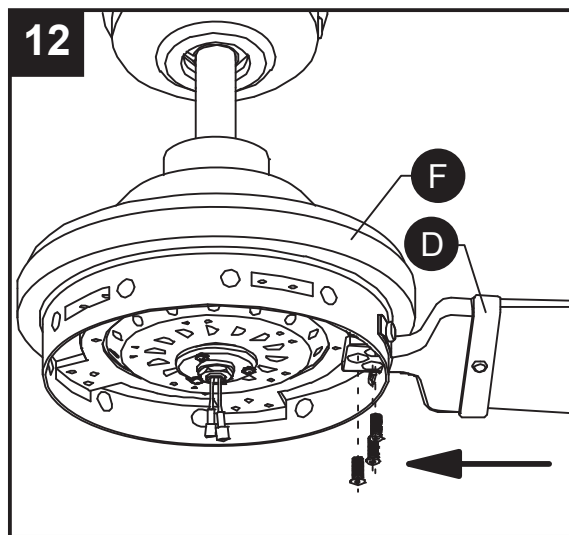


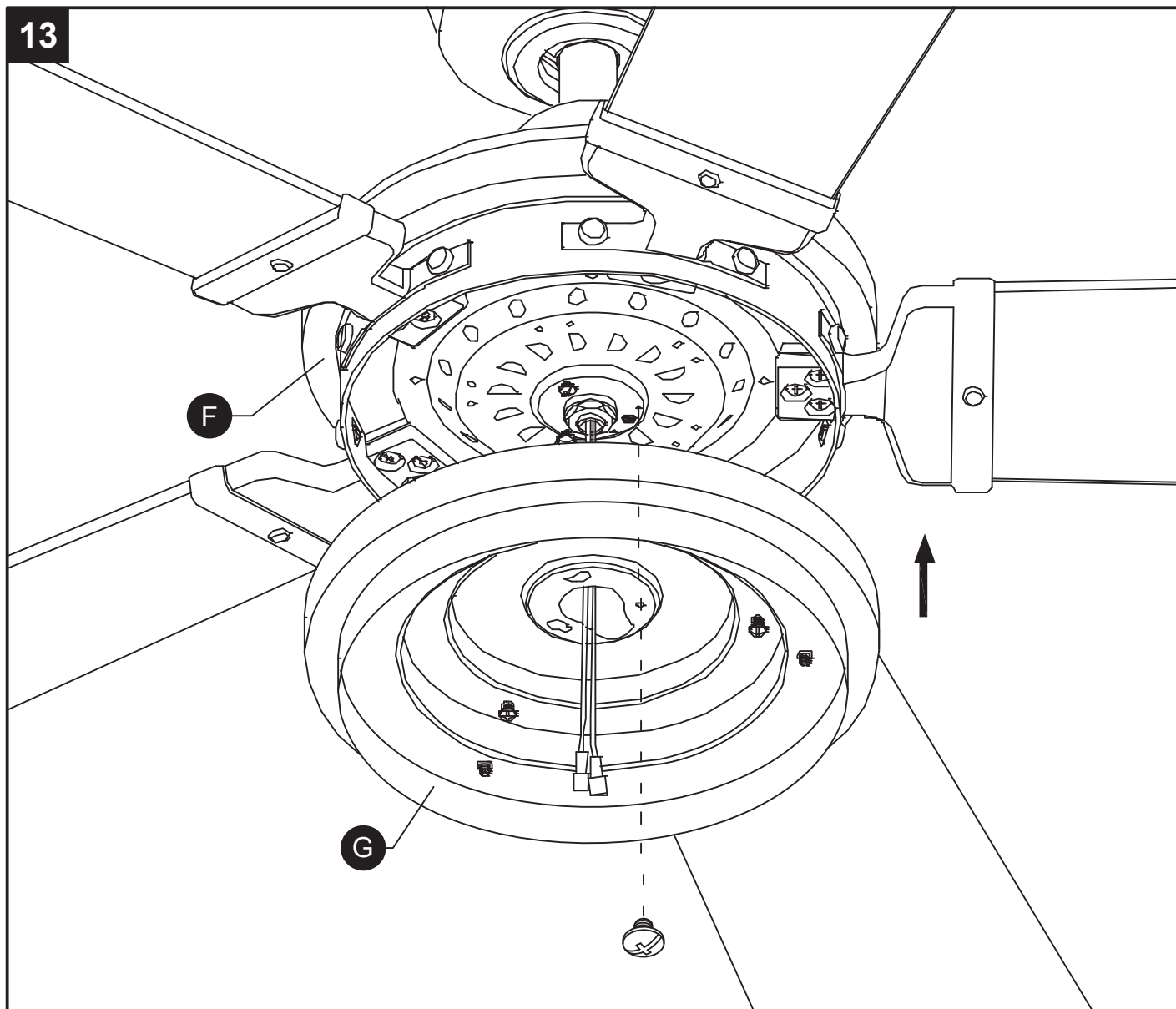
12. Insérez la fixation de pale (D) dans la fente située sur l'ensemble moteur (F). Alignez les trous de la fixation de pale (D) avec les trous du support de pale et fixez à l'aide des 3 vis pour fixation de pale fournies dans le sachet de quincaillerie.

Répétez l'opération pour les ensembles fixation-pale restants.

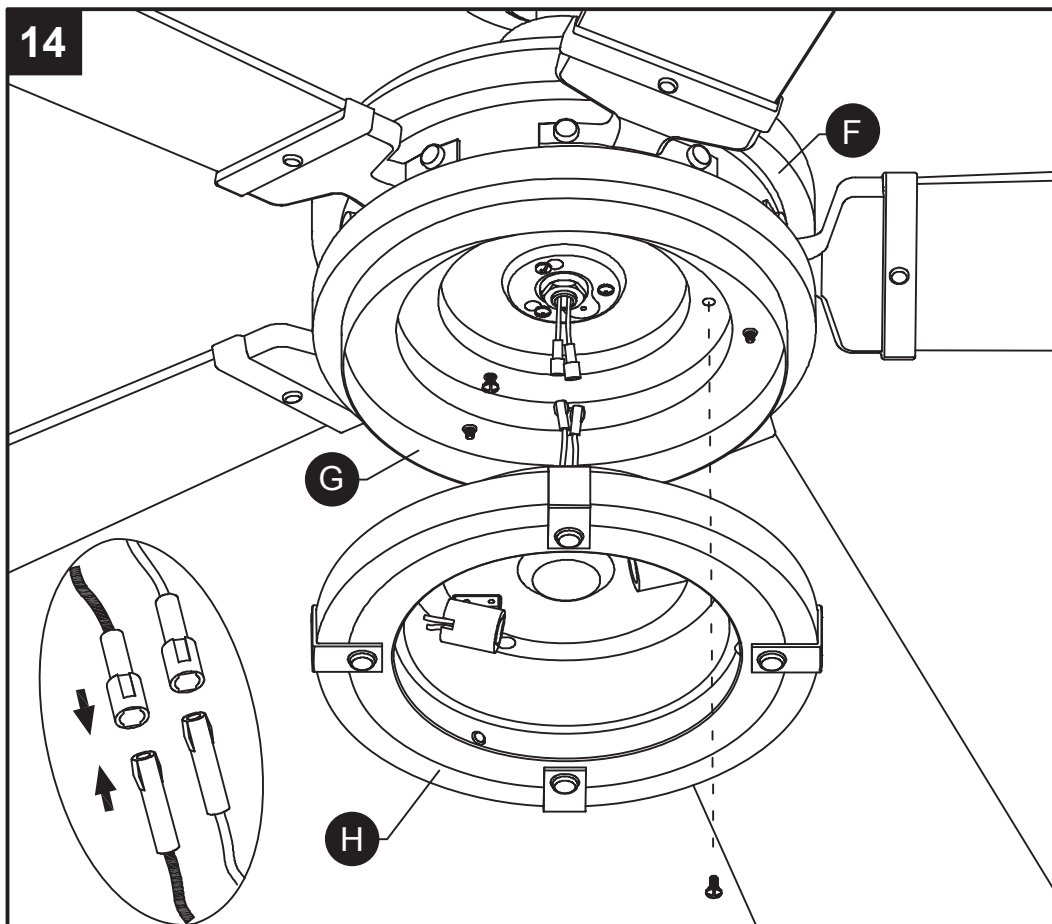
Quincaillerie utilisée

Vis du support des pales  x 10





13. Retirez de l'ensemble moteur (F) la vis de montage marquée d'un point rouge et desserrez les deux autres sans les retirer. Faites passer les fils de l'ensemble moteur (F) à travers le trou central du corps du kit d'éclairage (G). Positionnez les fentes en forme de trou de serrure autour des vis et tournez dans le sens horaire. Insérez la vis que vous avez retirée auparavant. Serrez toutes les vis.



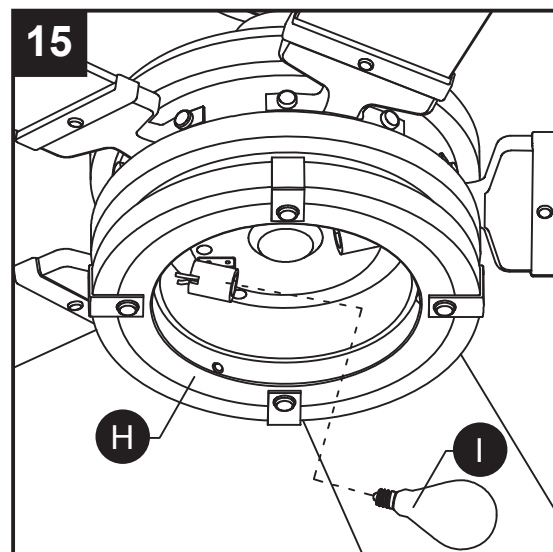
14. Connectez les fils de l'ensemble moteur (F) au kit d'éclairage (H). Retirez 1 des 3 vis du logement du kit d'éclairage (G) et desserrez les deux autres. Positionnez les fentes en forme de trou de serrure autour des vis et tournez dans le sens horaire. Insérez la vis que vous avez retirée auparavant. Serrez toutes les vis.

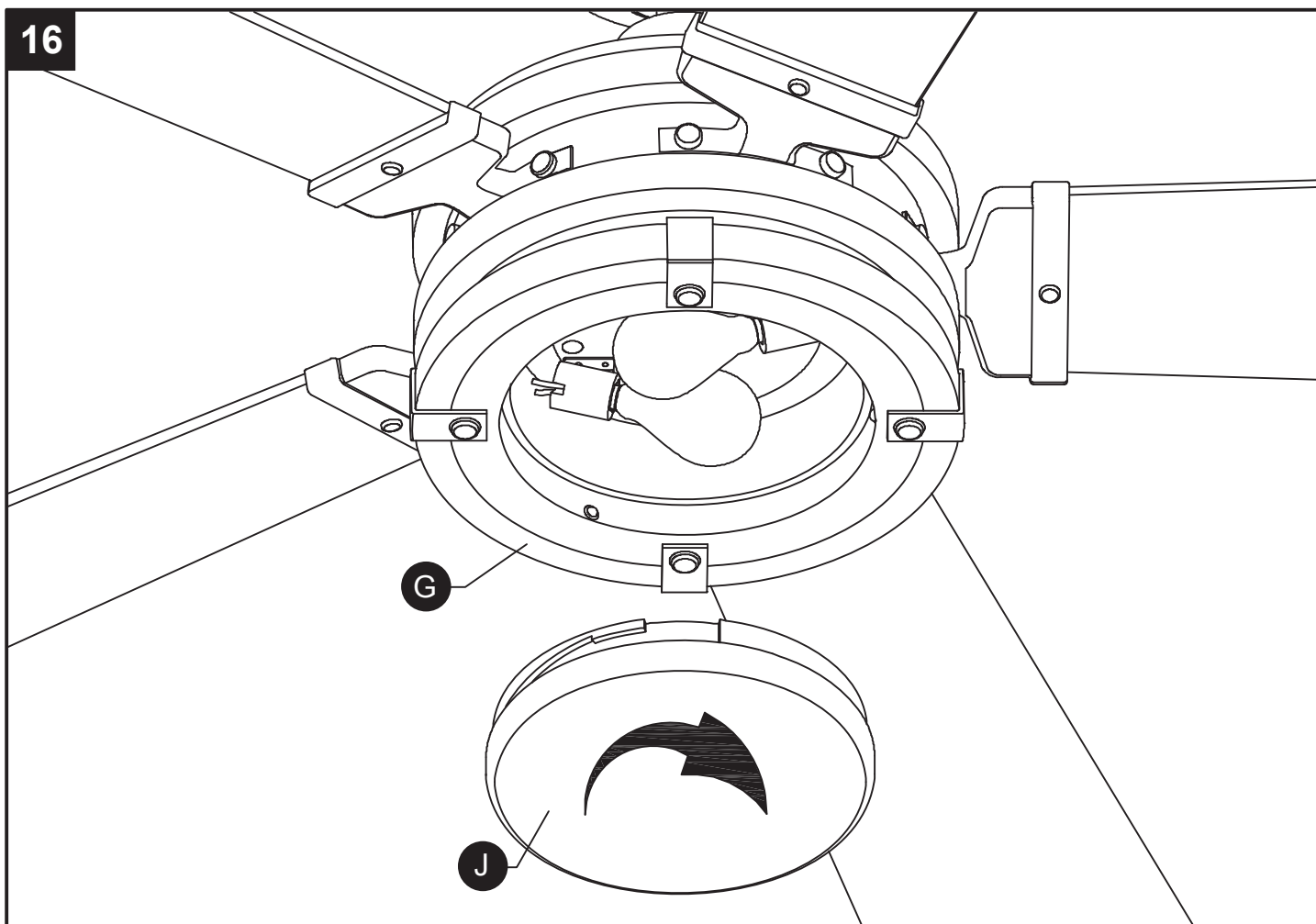
Remarque : le fil blanc se connecte au fil blanc et le fil noir se connecte au fil noir.

15. Insérez une ampoule à DEL (I) dans la douille située sur le kit d'éclairage (H). Lorsque nécessaire, remplacez par des ampoules de même puissance.

ATTENTION : Un limiteur de puissance destiné à économiser l'énergie est inclus dans le récepteur du ventilateur. Lors du remplacement des ampoules, veillez à ce que la puissance totale des ampoules soit inférieure à 190 watts, sinon l'article ne fonctionnera pas.

AVERTISSEMENT : Pour réduire le risque de brûlure, de blessure oculaire ou de choc électrique, coupez le courant et laissez refroidir l'ampoule pendant au moins 5 minutes avant de la remplacer. Ne touchez pas l'ampoule ou ne fixez pas du regard la lampe allumée. Remplacez le verre/l'abat-jour/le diffuseur en cas de casse.





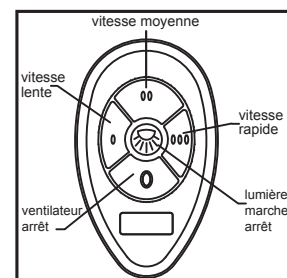
16. Placez le diffuseur (J) sur le corps du kit d'éclairage (G). Une fois en place, tournez le diffuseur (J) dans le sens horaire afin de le verrouiller.

FONCTIONNEMENT

Retirez la porte du compartiment de la pile de la télécommande, introduisez la pile (fournie) à l'intérieur et remettez la porte en place. En cas de non-utilisation prolongée, retirez la pile pour éviter d'endommager l'émetteur.

Réglage du ventilateur :

- 0 vitesse lente
- 00 vitesse moyenne
- 000 vitesse rapide
- 0 Pour arrêter le ventilateur
- ☹ Appuyez rapidement sur le bouton lumière pour allumer ou éteindre la lumière



Pour la fonction VARIATEUR : appuyez sur le bouton ☹ et maintenez-le appuyé pour atténuer la lumière. L'intensité de la lumière varie en continu de vive à douce jusqu'à ce que le bouton soit relâché. Éteint, le luminaire conservera le dernier réglage effectué.

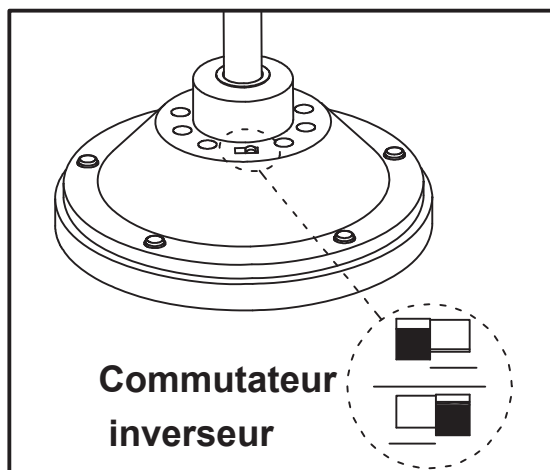
Cette télécommande dispose d'une fonction mémoire. Lorsque le ventilateur est éteint, la télécommande garde en mémoire la vitesse du ventilateur et l'intensité de l'éclairage. Lorsque le ventilateur est remis en marche, il redémarre sur le dernier réglage effectué.

Cette télécommande dispose d'une fonction mémoire. Lorsque le ventilateur est éteint, la télécommande garde en mémoire la vitesse du ventilateur et l'intensité de l'éclairage. Lorsque le ventilateur est remis en marche, il redémarre sur le dernier réglage effectué.

Utilisez le commutateur inverseur pour optimiser votre ventilateur selon la saison.

Remarque : attendre que le ventilateur soit arrêté avant d'inverser le commutateur.

- Par temps chaud, faire tourner le ventilateur dans le sens anti-horaire pour créer un courant d'air descendant, qui rafraîchira la pièce.
- Par temps frais, faire tourner le ventilateur dans le sens horaire pour créer un courant d'air ascendant qui brassera l'air chaud stagnant près du plafond pour le répartir dans la pièce.

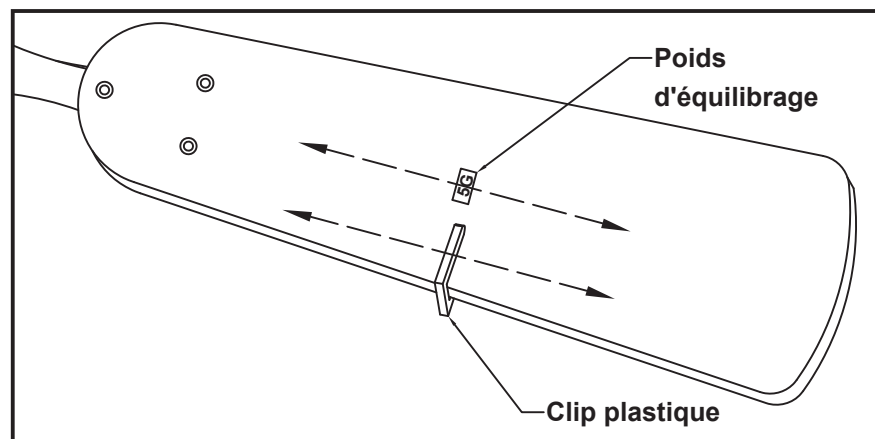


ÉTAPES POUR ÉQUILIBRER LE VENTILATEUR DE PLAFOND

- Serrez les vis sur le support de fixation, la boîte de sortie, la tige, entre les pales du ventilateur et les supports de pales, et entre les supports de pales et le logement du moteur.
- Mesurez la distance entre l'extrémité de chaque pale et le plafond. Toutes les pales doivent se trouver à la même distance par rapport au plafond. Ajustez tout support de pale penché en appuyant légèrement sur les supports ou en les remontant doucement, jusqu'à ce que les pales soient toutes à égale distance du plafond.
- Si l'oscillation persiste, vous aurez peut-être besoin d'un kit d'équilibrage de pales pour stabiliser le ventilateur de plafond. Un kit d'équilibrage de pales consiste en un clip en plastique et 2 poids d'équilibrage.

Déterminez la pale qui a besoin d'être équilibrée par essais et erreurs.

1. Placez un morceau de ruban de masquage numéroté sur chaque pale pour les repérer facilement.
2. Une pale après l'autre, attachez l'attache rainurée en plastique au centre du bord de la pale et mettez le ventilateur en marche. Observez quelle pale porte le clip lorsque le ventilateur oscille le moins.
3. Placez le clip plastique sur le bord de la pale, à mi-chemin entre le support de pale et l'extrémité de la pale. Mettez le ventilateur en marche et voyez s'il y a une amélioration.
4. Si vous ne voyez aucune amélioration, arrêtez à nouveau le ventilateur. Faites glisser le clip le long de la pale pour localiser la source de l'instabilité.
5. Une fois que vous aurez trouvé la pale fautive, placez un poids d'équilibrage sur sa ligne médiane. Le poids doit être parallèle au clip.



AVERTISSEMENT DE LA FCC

Cet appareil est conforme au chapitre 15 des règlements de la FCC. La mise en œuvre est soumise aux deux conditions suivantes : (1) cet appareil ne provoque pas de brouillage nuisible, et (2) cet appareil doit accepter toute interférence reçue, notamment l'interférence qui pourrait provoquer un fonctionnement indésirable.

Tous changements ou modifications non expressément approuvés par l'autorité responsable de l'homologation annuleraient l'autorisation d'utiliser l'équipement accordée à l'utilisateur.

REMARQUE : Cet équipement a été testé et jugé conforme aux limites admises pour un dispositif numérique de classe B, relevant du chapitre 15 du règlement de la FCC. Ces limites sont destinées à fournir une protection raisonnable contre les interférences nocives dans le cadre d'une installation domestique. Cet équipement génère, utilise et peut irradier des ondes de radiofréquence et, s'il n'est pas installé et utilisé conformément aux instructions, peut produire des interférences nocives pour les radiocommunications. Cependant, il est impossible de garantir l'absence d'interférence dans une installation particulière. Si cet équipement produit des interférences gênantes pour la réception radio ou télévisée, ce qui peut être déterminé en allumant et en éteignant l'appareil, l'utilisateur est encouragé à corriger l'interférence en prenant une ou plusieurs des mesures suivantes.

Réorientez ou déplacez l'antenne de réception, augmentez la distance entre l'équipement et le récepteur, et raccordez l'appareil à une sortie située sur un circuit différent de celui sur lequel le ventilateur est connecté.

ENTRETIEN

Au moins deux fois par an, resserrez toutes les vis et abaissez le pavillon pour contrôler les vis du support de fixation et l'assemblage de la tige. Nettoyez le corps du ventilateur uniquement à l'aide d'une brosse douce ou d'un chiffon non pelucheux pour éviter d'érafler le fini. Nettoyez les pales à l'aide d'un chiffon non pelucheux. Coupez l'alimentation électrique principale avant toute opération d'entretien. N'utilisez ni eau ni chiffon mouillé pour nettoyer le ventilateur.

GARANTIE

Kichler offre à l'acheteur original d'un ventilateur de plafond Kichler la garantie limitée à vie ci-après : Si le moteur ou les pièces du moteur d'un ventilateur sont défectueux en raison de ce que Kichler, à sa seule discrétion, juge un vice de fabrication ou un défaut matériel, Kichler réparera ou remplacera gratuitement, selon son choix, l'élément défectueux.

À part les exceptions indiquées ci-dessous, pendant un (1) an à compter de la date d'achat, si toute pièce autre que le moteur et les pièces du moteur, y compris mais sans s'y limiter, les pales, les kits d'éclairage, les tiges, les interrupteurs, les boîtiers ou le fini sont défectueux en raison de ce que Kichler, à sa seule discrétion, juge un vice de fabrication ou un défaut matériel, Kichler réparera ou remplacera gratuitement, selon son choix, l'élément défectueux.

Pour remplacer un produit porteur d'un défaut couvert par la garantie, l'acheteur initial doit retourner tout produit ou pièce supposés défectueux au distributeur Kichler agréé où le produit a été acheté avec une PREUVE D'ACHAT, le nom de l'acheteur initial, l'adresse de retour et une description du défaut constaté sur le produit.

Si Kichler juge, à sa seule discrétion, qu'un des produits garantis est défectueux, ledit produit, au seul choix de Kichler et à ses frais, sera remplacé, réparé ou remboursé moins une retenue correspondant à l'utilisation antérieure du produit par l'acheteur original. Kichler retournera le produit réparé ou remplacé en port prépayé. Cette garantie ne couvre pas la main d'œuvre ni les coûts et dépenses associés au retrait ou à l'installation d'un produit défectueux, réparé ou remplacé.

Les parties aux présentes acceptent que le seul et unique recours de l'acheteur initial à l'encontre de Kichler se limite à la réparation, au remplacement ou au remboursement des produits défectueux tel qu'ici prévu. Cette garantie s'applique uniquement lorsque le produit est la propriété de l'acheteur initial ; elle n'est pas transférable aux héritiers, aux propriétaires subséquents ou de toute autre manière ; elle est nulle si l'acheteur original cesse d'être le propriétaire du produit.

Cette garantie ne s'applique pas aux produits qui ont été soumis à un usage abusif, une manipulation inadéquate, un usage impropre, qui ont été connectés à un voltage de plus de 5 % supérieur au voltage nord américain, qui ont subi un usage inhabituel (y compris mais sans s'y limiter un usage dans un environnement où la température ambiante moyenne annuelle est inférieure à 27 °F [-2,8 °C] ou supérieure à 95 °F [35 °C]), la négligence (y compris mais sans s'y limiter un mauvais entretien), un accident, des catastrophes naturelles telles que des vents violents, une installation ou un entretien inappropriés, le non suivi des instructions écrites d'utilisation normale et d'entretien du produit, une modification (y compris mais sans s'y limiter l'utilisation de pièces ou d'accessoires non autorisés), ou encore un réglage ou une réparation. L'exposition significative du produit à des produits chimiques, des nettoyants agressifs, l'eau salée ou l'air salé annulera toutes garanties portant sur les finis extérieurs. Cette garantie ne s'applique qu'aux composants, y compris les transformateurs, qui ont été fournis par Kichler. La substitution par des produits ou composants provenant d'un autre fabricant rendra la garantie complètement nulle.

CETTE GARANTIE VOUS PROCURE DES DROITS LÉGAUX SPÉCIFIQUES. VOUS POUVEZ ÉGALEMENT DÉTENIR D'AUTRES DROITS QUI VARIENT SELON LES ÉTATS. CERTAINS ÉTATS N'AUTORISENT AUCUNE LIMITATION DE DURÉE D'UNE GARANTIE IMPLICITE, NI L'EXCLUSION OU LA LIMITATION DES DOMMAGES ACCESSOIRES OU CONSÉCUTIFS, IL EST DONC POSSIBLE QUE LES LIMITATIONS ET EXCLUSIONS ÉNONCÉES CI-DESSUS NE S'APPLIQUENT PAS À VOUS.

LA GARANTIE SUSMENTIONNÉE PRÉVAUT SUR TOUTE AUTRE GARANTIE, QU'ELLE SOIT EXPRESSE OU IMPLICITE, Y COMPRIS TOUTE GARANTIE DE QUALITÉ MARCHANDE, D'ADÉQUATION À UN USAGE PARTICULIER OU DE NON-CONTREFAÇON. L'ACHETEUR INITIAL NE PEUT EN AUCUN CAS PRÉTENDRE À INDEMNISATION POUR, ET KICHLER LIGHTING NE PEUT ÊTRE TENU RESPONSABLE DES DOMMAGES INDIRECTS, PARTICULIERS, ACCESSOIRES OU CONSÉCUTIFS DE TOUTE NATURE, Y COMPRIS MAIS SANS S'Y LIMITER LA PERTE DE PROFIT, LES DÉPENSES PROMOTIONNELLES ET/OU LES CHARGES DE FABRICATION, LES FRAIS GÉNÉRAUX, L'ATTEINTE À LA RÉPUTATION ET/OU LA PERTE DE CLIENTÈLE.

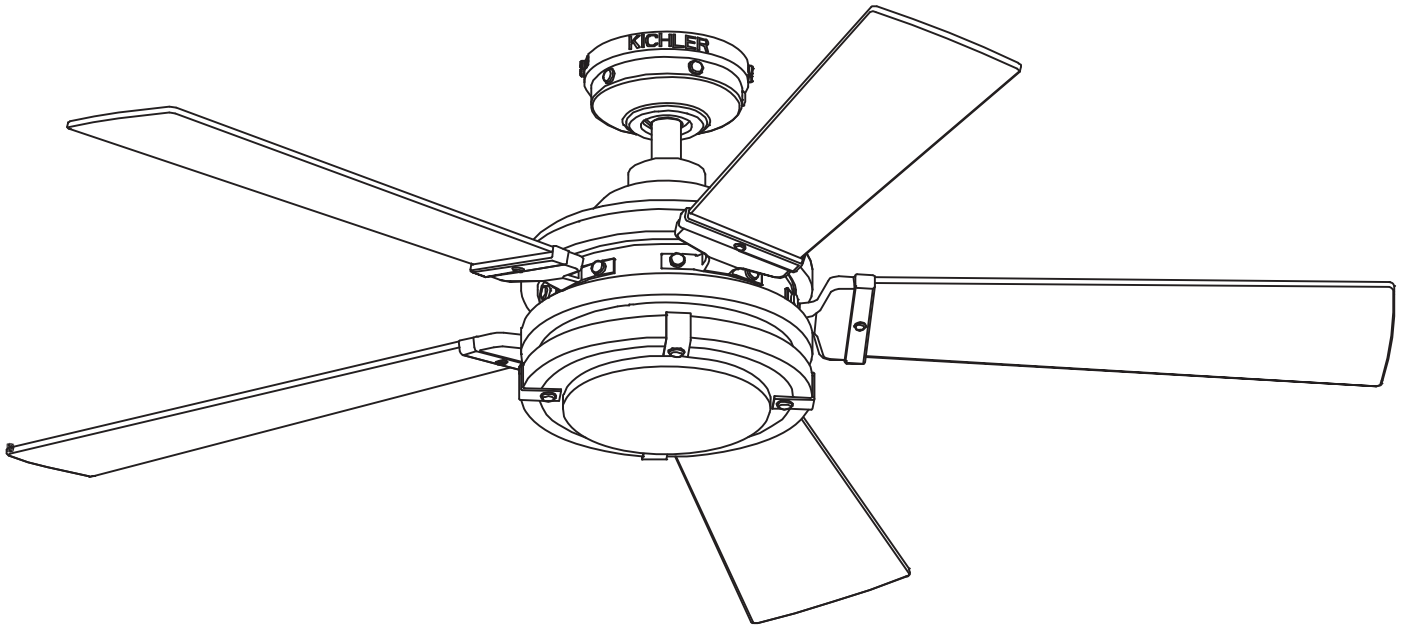
KICHLER®

Kichler® es una marca registrada de The L.D. Kichler Co. Todos los derechos reservados.

ARTÍCULO #0577412

VENTILADOR DE TECHO

MODELO #35170

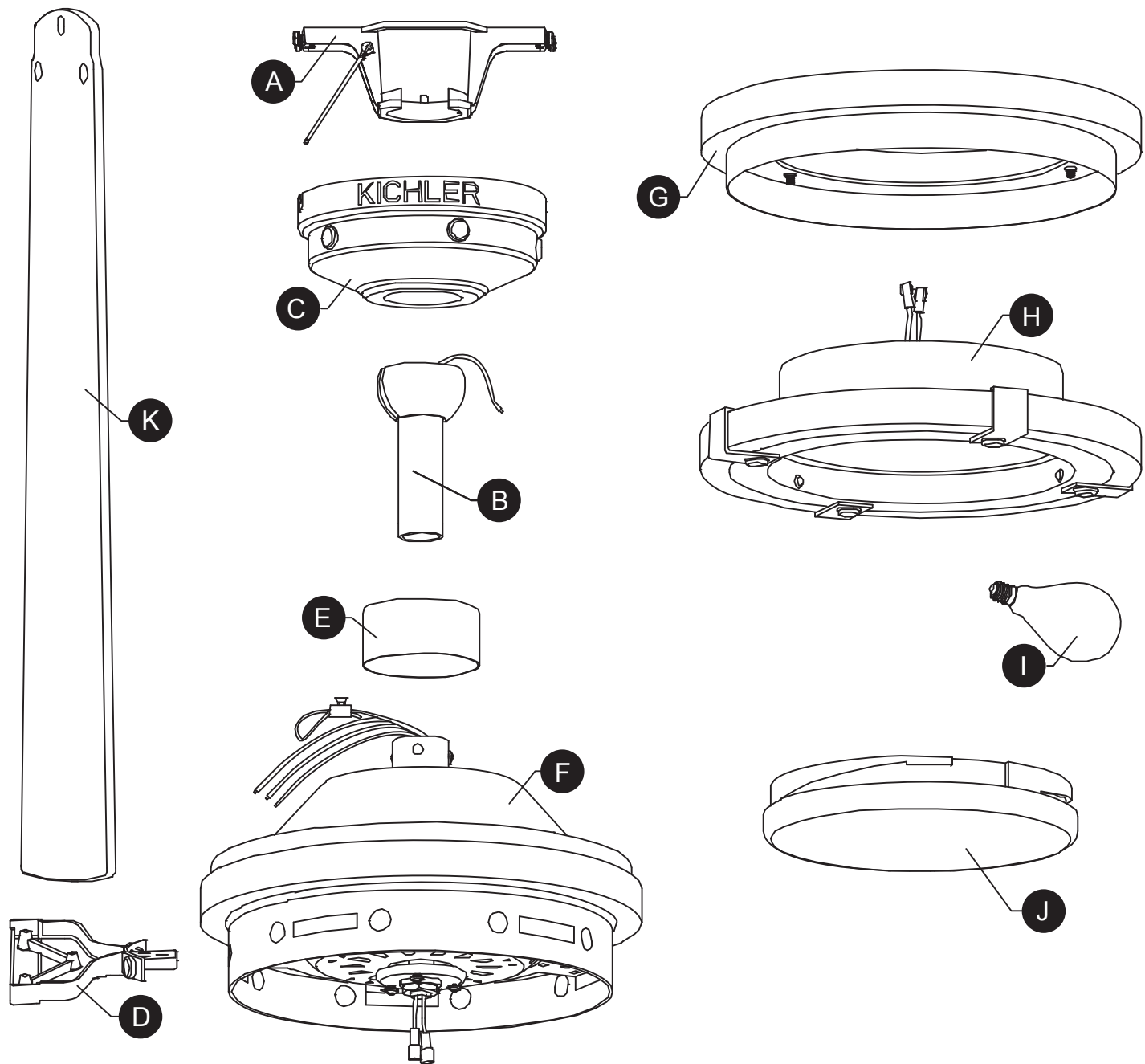


ADJUNTE SU RECIBO AQUÍ

Número de serie _____ Fecha de compra _____



¿Preguntas, problemas, piezas faltantes? Antes de devolverlo a la tienda, llame a nuestro departamento de servicio al cliente al **1-800-554-6504**, de 8:00 a.m. a 4:30 p.m. hora del Este (EST), de lunes a viernes.

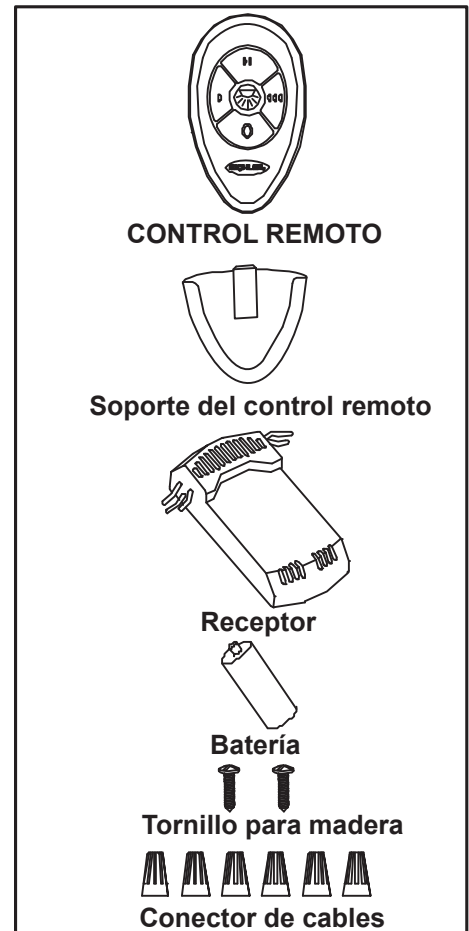
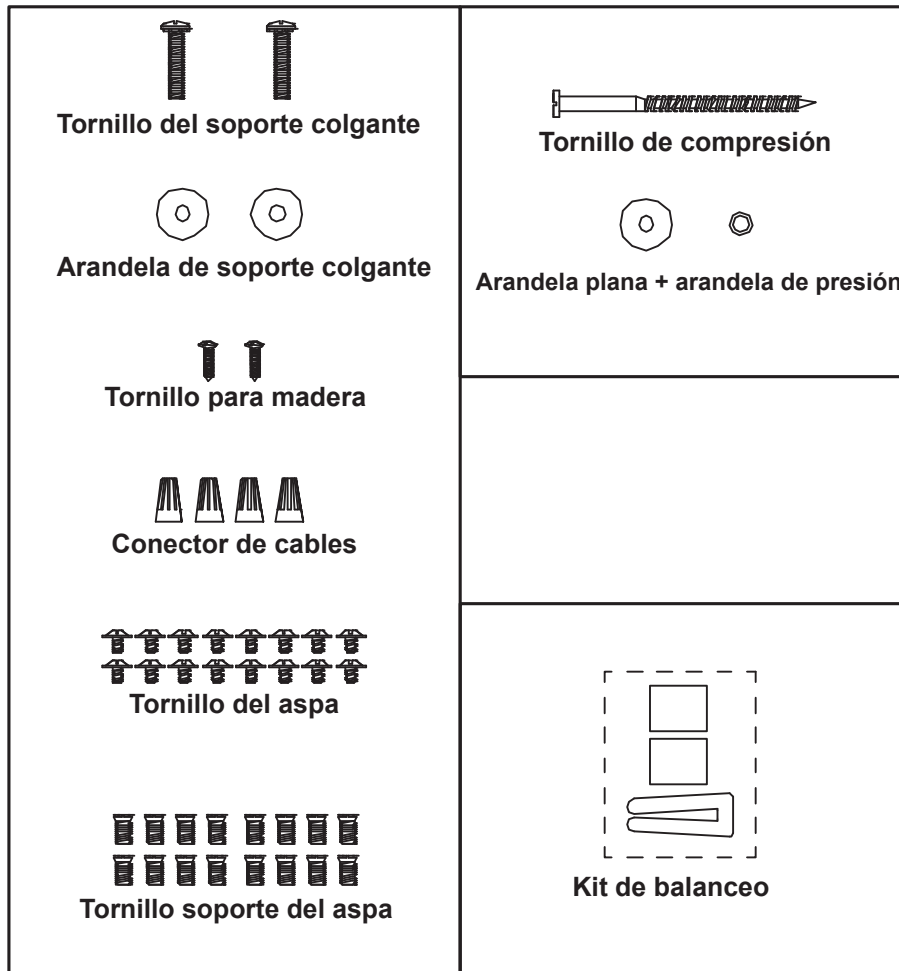


PIEZA	DESCRIPCIÓN	CANT
A	Soporte colgante	1
B	Barra colgante	1
C	Cubierta	1
D	Soporte del aspa	5
E	Cubierta del acople del motor	1
F	Motor	1

PIEZA	DESCRIPCIÓN	CANT
G	Alojamiento del kit de luces	1
H	Kit de luces	1
I	Bombilla tipo LED de 5 vatios-A15	2
J	Difusor	1
K	Aspa	5

BOLSA DE MATERIALES

CONTROL REMOTO



! INFORMACIÓN DE SEGURIDAD

Por favor lea y comprenda la totalidad del manual antes de intentar ensamblar, operar o instalar el producto. Si tiene alguna pregunta respecto al producto, por favor comuníquese con servicio al cliente en 1-800-554-6504, de 8:00 a.m. a 4:30 p.m. tiempo estándar del este (EST).

ADVERTENCIA:

- **Importante:** Al usar una caja eléctrica existente, cerciőrese de que la caja est3 fijada con seguridad a la estructura de la edificación, y que pueda sostener el peso total del ventilador. El no hacerlo puede resultar en lesiones graves o la muerte.
- Apague los cortacircuitos y el interruptor de la pared de los cables de alimentaci3n el3ctrica del ventilador. Advertencia: El no desconectar la alimentaci3n el3ctrica antes de la instalaci3n puede resultar en lesiones graves o la muerte.
- Advertencia: conectar este ventilador a un interruptor de luz (encendido/apagado) puede ocasionar dańos al receptor. Este ventilador debe ser cableado para recibir corriente constantemente. El no hacerlo reducir3 la vida 3til del ventilador de manera significativa.
- No instale el ventilador en un cielo raso que tenga una inclinaci3n de m3s de 20°.
- **ADVERTENCIA:** para reducir el riesgo de incendio, electrocuci3n o lesiones personales, m3ntelo en una caja el3ctrica marcada como "aceptable para sostener un ventilador de 15.9 k (35 lb) o menos" y utilice los tornillos para el montaje suministrados con la caja el3ctrica, y/o ap3yelo directamente de la estructura de la edificación. La mayor3a de cajas el3ctricas utilizadas com3nmente para colgar l3mparas no son aceptables para sostener un ventilador y puede ser necesario tener que remplazarlas. Si tiene dudas, consulte a un electricista calificado.
- **Importante:** Cerci3nse de que la caja de cableado est3 adecuadamente conectada a tierra, o que el cable a tierra (verde) est3 presente.

ADVERTENCIA (continuación)

- Asegúrese de que el sitio para la instalación que elija permita un mínimo de 2.13 m (7 pies) desde el piso hasta los extremos de las aspas.
- Para reducir el riesgo de incendios o descargas eléctricas, no use este ventilador con dispositivos de velocidad para ventiladores de estado sólido ni con un control de velocidad variable.

PREPARACIÓN

Antes de comenzar a ensamblar el producto, asegúrese de que todas las partes estén disponibles. Compare las partes con la lista de contenido del empaque y la lista de contenido de aditamentos para el ensamblaje. Si alguna pieza falta o está dañada, no intente ensamblar el producto.

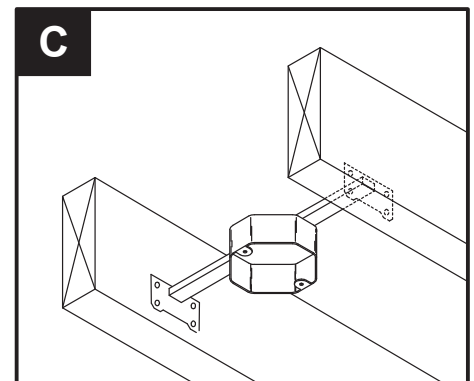
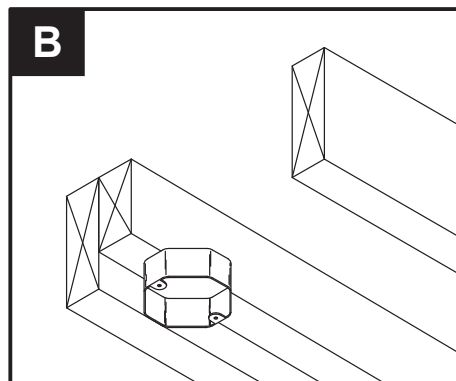
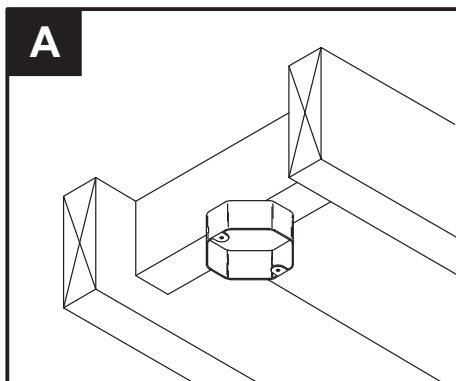
Nota: Este ventilador se puede ensamblar de dos maneras diferentes. Los pasos diferirán según el ensamblaje que elija.

Tiempo estimado de ensamblaje: 30 minutos a 1 hora.

Herramientas necesarias para el ensamblaje (no se incluyen): Destornillador Phillips, destornillador de cabeza plana, pinzas pelacables, cinta aislante, escalera, gafas de seguridad.

INSTRUCCIONES DE ENSAMBLAJE

- **ADVERTENCIA:** para reducir el riesgo de incendio, electrocución o lesiones personales, móntelo en una caja eléctrica marcada como "aceptable para sostener un ventilador de 15.9 k (35 lb) o menos" y utilice los tornillos para el montaje suministrados con la caja eléctrica, y/o apóyelo directamente de la estructura de la edificación. La mayoría de cajas eléctricas utilizadas comúnmente para colgar lámparas no son aceptables para sostener un ventilador y puede ser necesario tener que remplazarlas. Si tiene dudas al respecto, consulte a un electricista calificado.
- **Advertencia:** riesgo de incendio, electrocución o lesiones personales. Los ventiladores de techo pueden colgarse directamente de un elemento del marco estructural de una edificación (ver ejemplos en las ilustraciones A y B), o pueden montarse en una caja eléctrica marcada como aceptable para sostener un ventilador de 31.8 k (70 lb) a 15.9 k (35 lb) (ver ejemplo en la ilustración C).



INSTRUCCIONES DE ENSAMBLAJE

1. Asegure el soporte colgante (A) a la caja eléctrica del techo, utilizando los tornillos y las arandelas del soporte colgante.

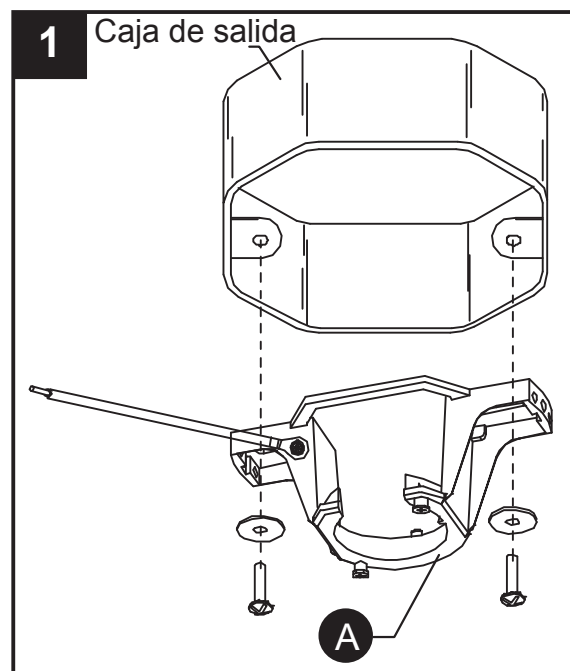
Importante: Si está fijando el ventilador en un techo inclinado, cerciórese de que la parte abierta del soporte colgante esté de cara al techo. No instale el ventilador en un cielo raso que tenga una inclinación de más de 20°.

Aditamentos utilizados

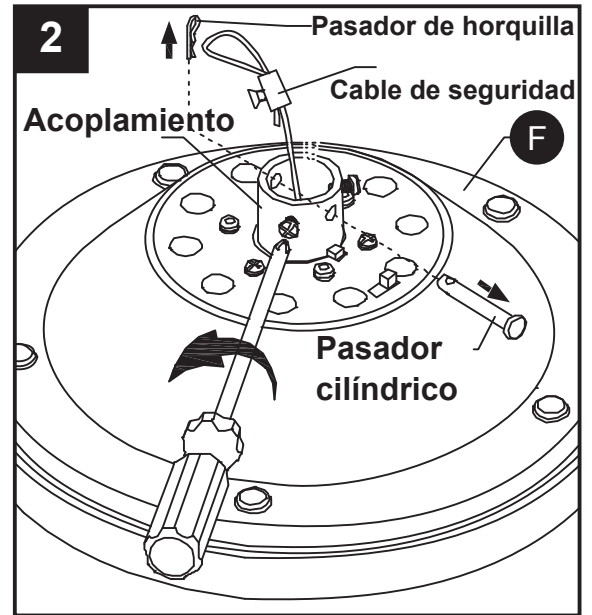
Tornillo del soporte colgante



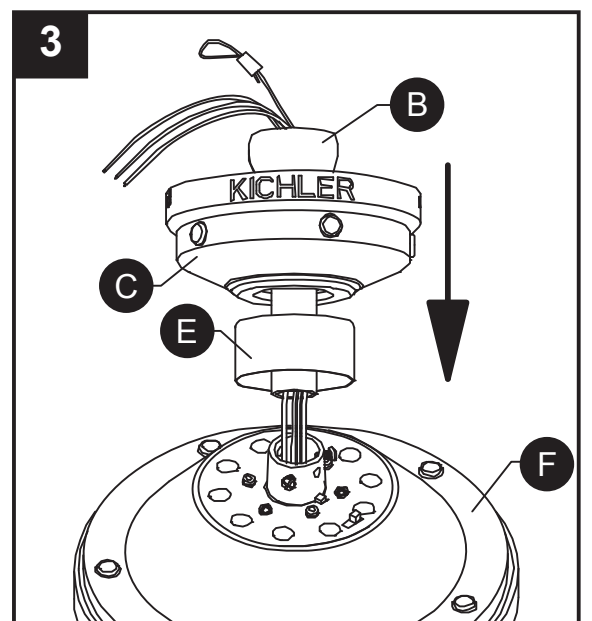
Arandela de soporte colgante



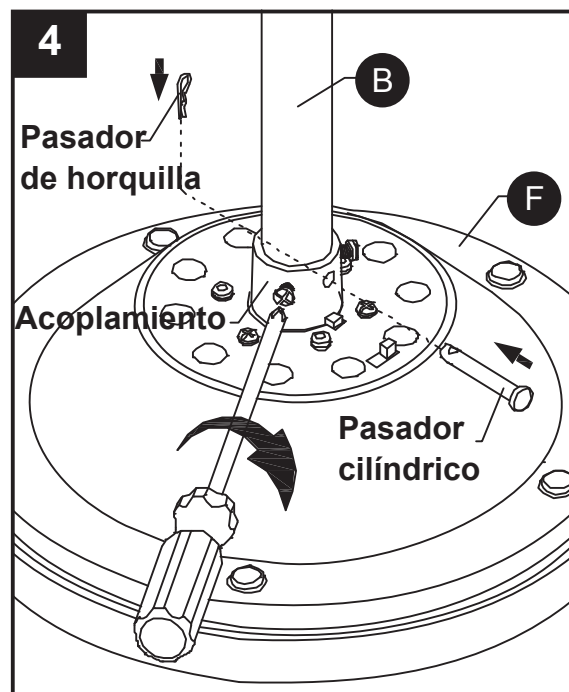
2. Afloje los tornillos fijadores del acople que se encuentra en la parte superior del conjunto del motor (F). Luego retire la horquilla y el pasador cilíndrico y guárdelos para usar en un paso subsecuente.



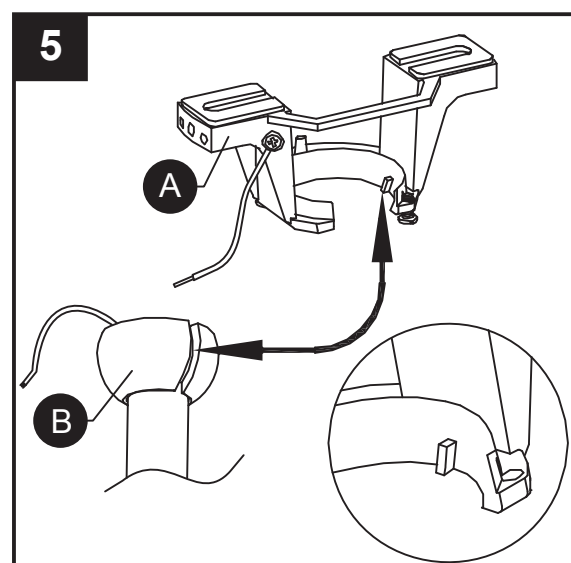
3. Inserte la varilla (B) por la cubierta (C) y la tapa del acoplamiento del motor (E). Pase los cables desde el conjunto del motor (F) por la varilla (B); después inserte la varilla (B) en el acople que se encuentra en la parte superior del conjunto del motor (F).



4. Pase el pasador cilíndrico por la varilla (B) y el acople que se encuentra en el conjunto del motor (F) y fíjelo con la horquilla. Apriete los tornillos fijadores que se encuentran en el acople en el conjunto del motor (F).



5. Levante con cuidado el ventilador y apoye el conjunto de la varilla (B)/rótula colgante sobre el soporte colgante (A). Cerciñese de que la ranura en la rótula esté alineada con la pestaña en el soporte colgante (A).




INSTRUCCIONES DE ENSAMBLAJE

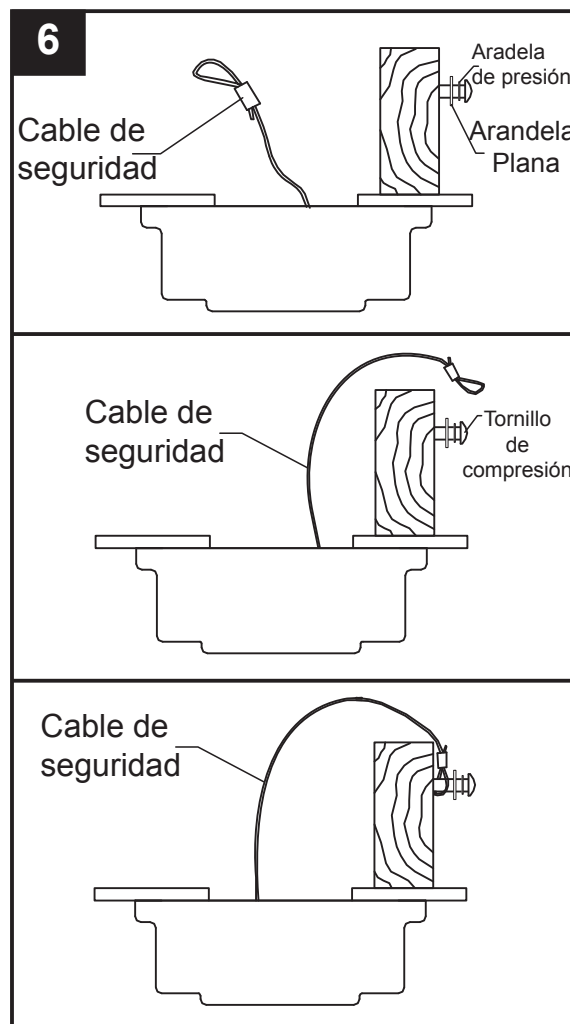
6. Para la instalación canadiense y para ventiladores en los EE. UU. de más de 15.8 k (35 libras), el cable de seguridad se debe instalar en las vigas de la estructura de la edificación utilizando un tornillo de compresión de 3". Cerciórese de que cuando el cable de seguridad esté totalmente extendido, los cables eléctricos sean más largos que el cable de seguridad, y que no se ejerza fuerza alguna sobre los cables eléctricos.

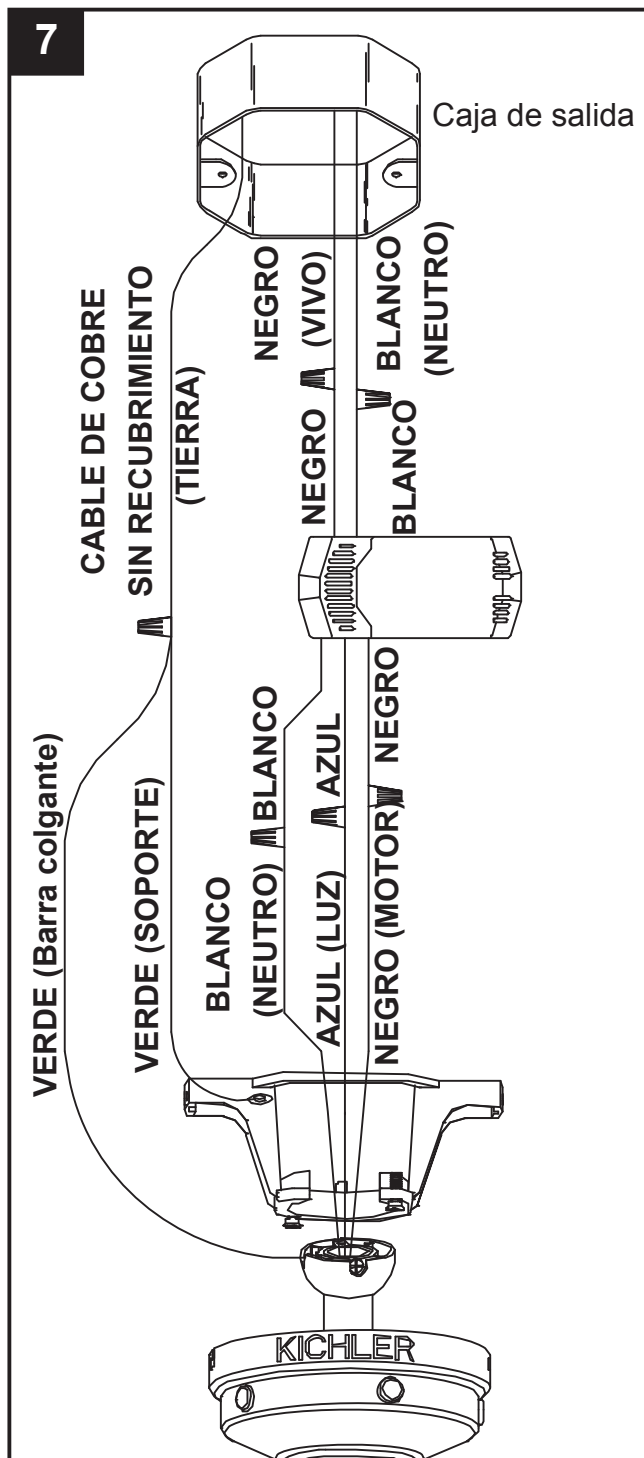
Aditamentos utilizados

Tornillo de compresión  x 1

Arandela plana  x 1

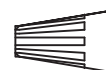
Arandela de presión  x 1





Aditamentos utilizados

Conector de cables



x 6

7. Realice el cableado del ventilador según el diagrama, y conecte firmemente los cables con conectores de cables: envuelva cada conector de cables con cinta aislante (no se incluye) y cerciúrese de que no haya cable o filamentos de cable expuestos después de hacer las conexiones.

- Conecte el cable BLANCO del ventilador al cable BLANCO marcado como TO MOTOR N del receptor.
- Conecte el cable AZUL del ventilador al cable AZUL del receptor.
- Conecte el cable NEGRO del ventilador al cable NEGRO marcado como TO MOTOR L del receptor.
- Conecte el cable NEGRO de la caja eléctrica al cable NEGRO marcado como AC IN L del receptor.
- Conecte el cable BLANCO de la caja eléctrica al cable BLANCO marcado como AC IN N del receptor.
- Conecte los cables de TIERRA (VERDE) desde el soporte colgante y la rótula de la varilla, a TIERRA (VERDE o COBRE SIN RECUBRIMIENTO) de la edificación.

8. Existen 16 combinaciones de código para configurar el control remoto. Si no utiliza la configuración del interruptor dip hecha por el fabricante, deberá entonces seguir el procedimiento de configuración que se indica a continuación.

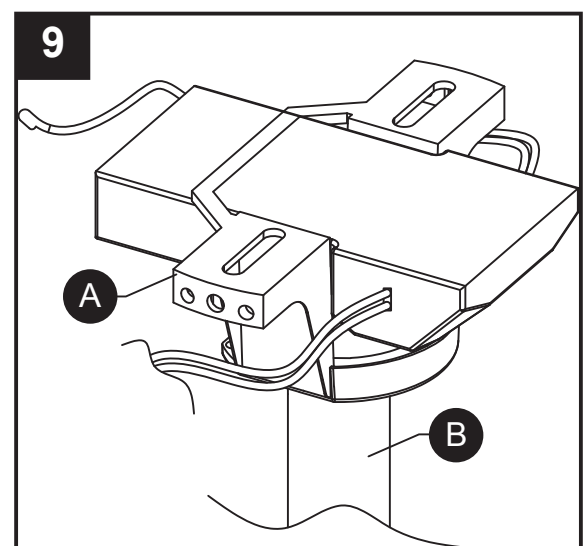
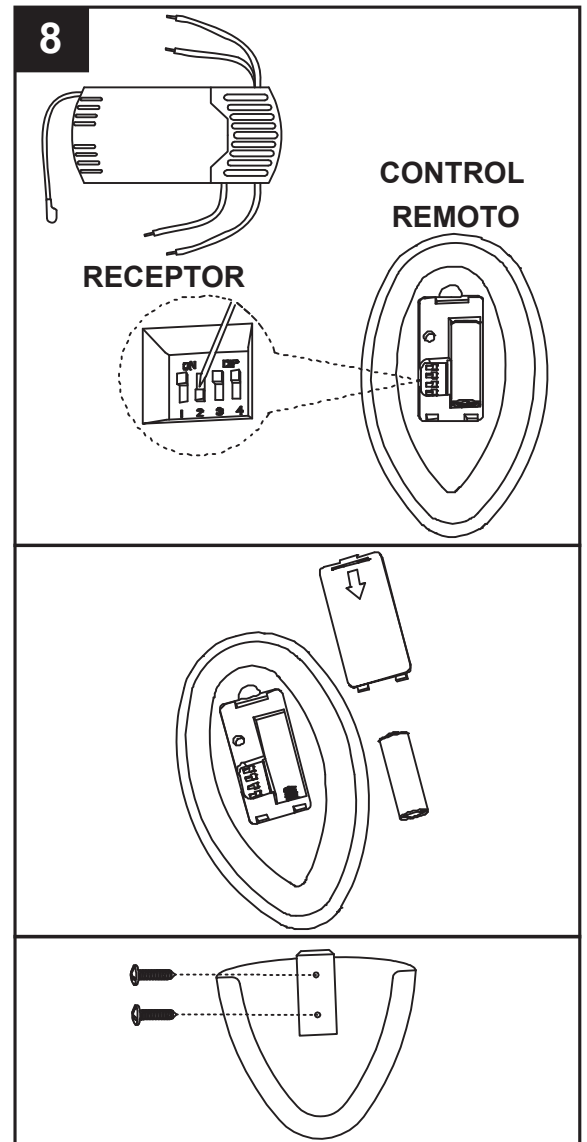
Retire la tapa de las baterías del control remoto para exponer los interruptores dip del control remoto. Use un bolígrafo pequeño (no se incluye) para configurar los interruptores dip arriba o abajo.

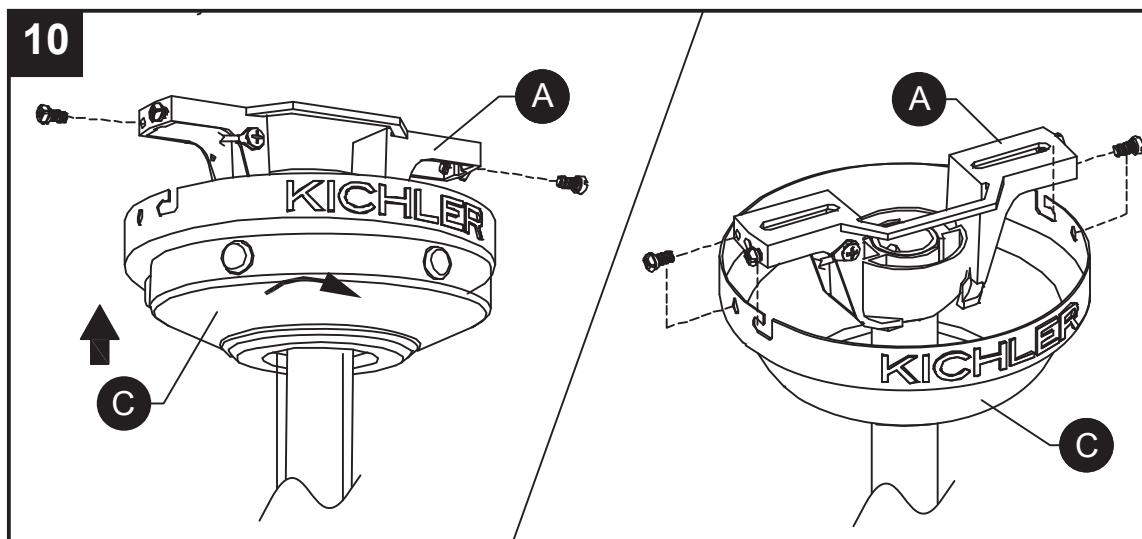
- Instale la 23A 12V batería (incluida) y vuelva a poner la tapa de la batería que retiró anteriormente.
- Después de instalar la unidad y restablecer la alimentación eléctrica al ventilador, presione y sostenga el botón "Light" (luz) hasta que la luz parpadee (encendido/apagado) 3 veces y permanecerá en; entonces estará completo el proceso de configuración de control y velocidad. Debe presionar el botón "Light" dentro de los 30 segundos de haber restablecido la alimentación eléctrica al ventilador.
- Si la programación no tiene éxito, vuelva a intentar las instrucciones anteriores.

El control remoto viene con un soporte que puede fijarse a la pared con los tornillos que se incluyen.

NOTA: Retire las baterías si el control remoto no se va a usar por un largo periodo de tiempo para evitar daños. Guarde el control remoto lejos de la humedad o el calor excesivos.

9. Una vez completado el paso del cableado, deslice el receptor remoto cableado entre el soporte colgante (A) y el extremo superior de la rótula de la varilla (B), con la parte plana del receptor orientada hacia el techo. Gire hacia arriba los cables eléctricos y empújelos con cuidado dentro de la caja eléctrica, con los cables blanco y verde a un lado de la caja, y el cable negro hacia el otro lado.

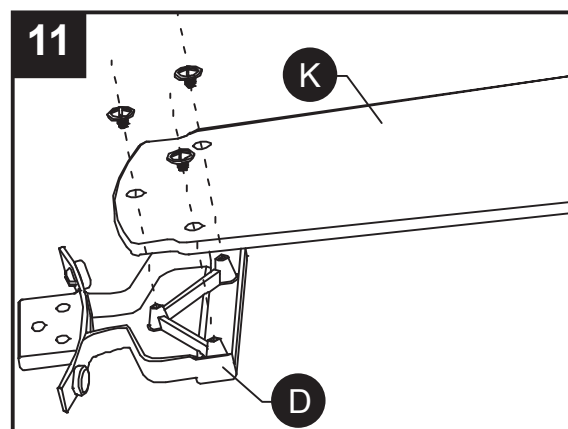




10. Retire los dos tornillos de la cubierta que están alineados con los agujeros redondos de la cubierta (C) y afloje los otros dos tornillos de la cubierta, asegurándose de no retirarlos. Eleve la cubierta (C) sobre el soporte colgante (A) alineando los tornillos que quedaron en la cubierta (C). Gire la cubierta (C) hacia la derecha para asegurarla. Reinstale los dos tornillos que se retiraron previamente en los agujeros de la cubierta (C). Apriete todos los tornillos.

11. Fije el soporte del aspa (D) al aspa (K) con los tornillos del aspa. No apriete los tornillos del aspa hasta que todos los tornillos hayan sido insertados. Después, apriete cada tornillo, comenzando con el tornillo del centro.

Repita para las aspas restantes.

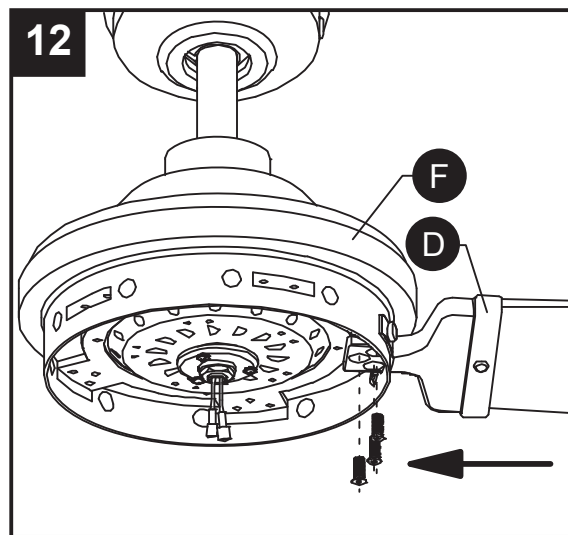


Aditamentos utilizados

Tornillo del aspa  x 15

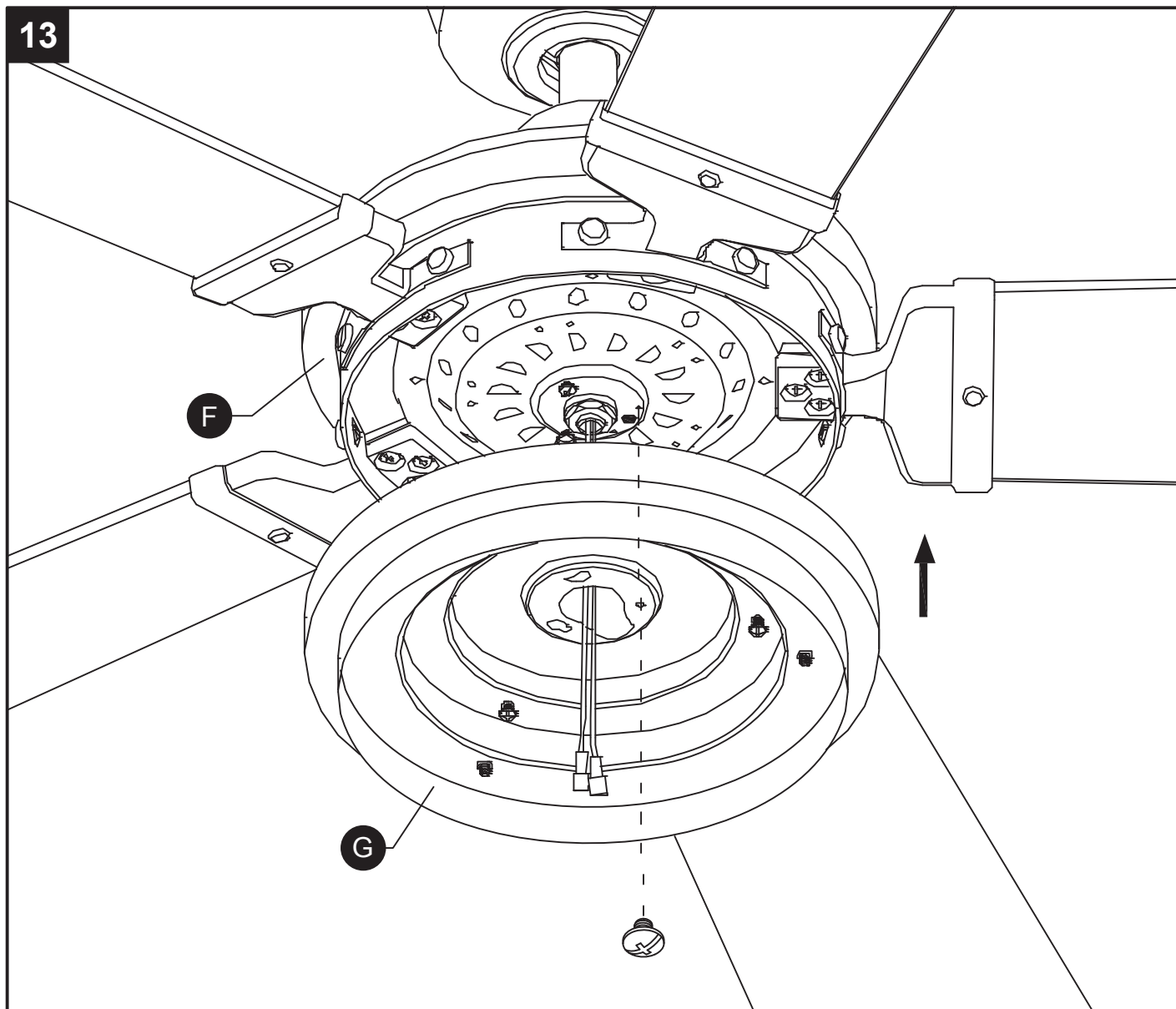
12. Inserte el soporte del aspa (D) en la ranura del conjunto del motor (F). Alinee los agujeros del soporte del aspa (D) con los agujeros del receptor del aspa, y asegure el conjunto del aspa con los 3 tornillos del soporte aspa de la bolsa de materiales.

Repita para los conjuntos de aspas restantes.

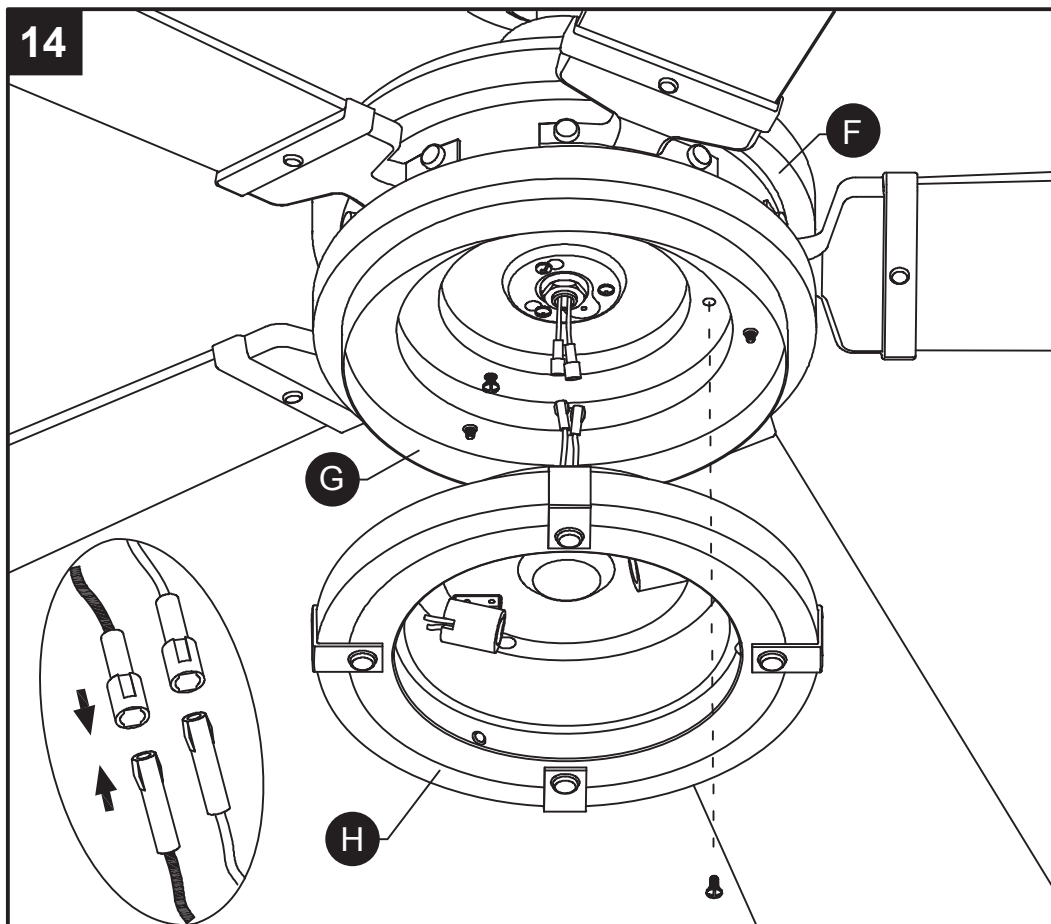


Aditamentos utilizados

Tornillo para madera  x 10



13. Retire del conjunto del motor (F) el tornillo de montaje marcado con una etiqueta circular roja y afloje pero no retire los otros 2 tornillos. Pase los cables desde el conjunto del motor (F) por el agujero central en el alojamiento del kit de luces (G). Ubique las ranuras con forma de ojo de cerradura alrededor de los tornillos, y gire hacia la derecha. Inserte el tornillo que había retirado previamente. Apriete todos los tornillos.



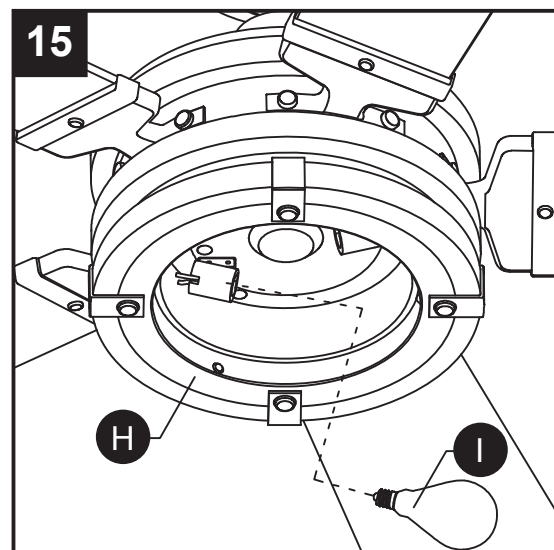
14. Conecte los cables del conjunto del motor (F) al kit de luces (H). Retire 1 de los 3 tornillos del alojamiento del kit de luces (G) y afloje los otros dos. Ubique las ranuras con forma de ojo de cerradura alrededor de los tornillos, y gire hacia la derecha. Inserte el tornillo que había retirado previamente. Apriete todos los tornillos.

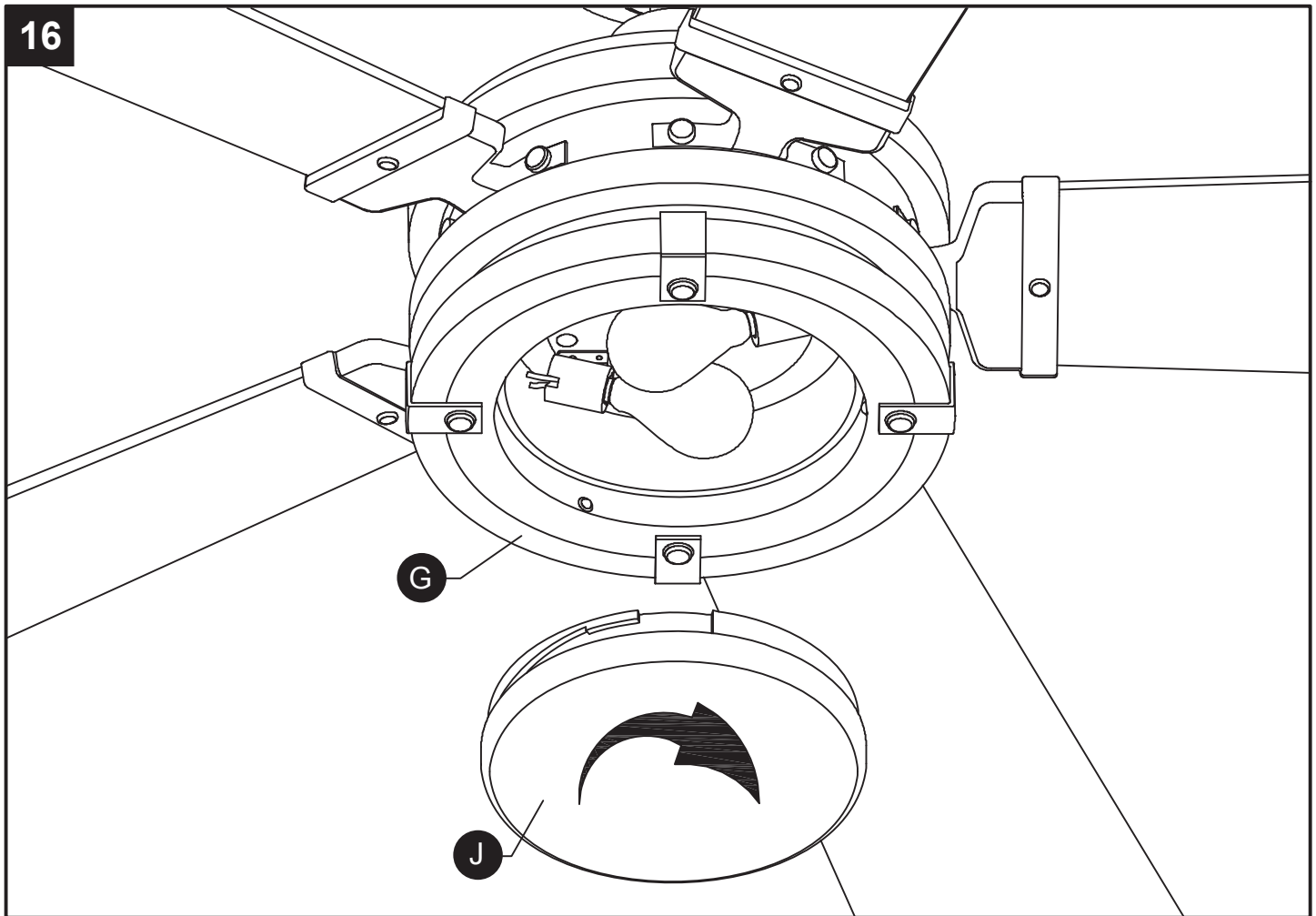
Nota: El cable blanco se conecta con el cable blanco y el cable negro se conecta con el cable negro.

15. Inserte un bombilla tipo LED (I) en el portalámparas que se encuentra en el conjunto de luces (H). Cuando sea necesario, cambie con focos de la misma potencia.

PRECAUCIÓN: El receptor del ventilador incluye un limitador de potencia para ahorro de energía. Al cambiar los focos, asegúrese de que la potencia de todos los focos sea menor de 190 W; de otro modo el elemento no funcionará.

ADVERTENCIA: Para reducir el riesgo de quemaduras, daño a los ojos o electrocución, desconecte la alimentación eléctrica y deje enfriar el foco por lo menos 5 minutos antes de cambiarlo. No toque el foco ni mire directamente la lámpara cuando esté en uso. Reemplace la pantalla o difusor de vidrio si está roto.





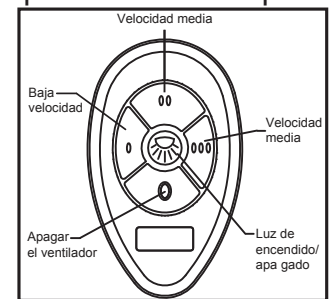
16. Eleve el difusor (J) al alojamiento del kit de luces (G). Una vez en su sitio, gire el difusor (J) hacia la derecha para fijarlo.

OPERACIÓN

Retire la tapa de la batería, conecte la batería (incluida) con la clavija presionando la batería hacia adentro, y vuelva a poner la tapa de la batería. Si no se va a utilizar por períodos de tiempo extendidos, retire la batería para prevenir daños al transmisor.

Control del ventilador :

0	Baja velocidad
00	Velocidad media
000	Alta velocidad
⊙	Para apagar el ventilador
☀	Presione la tecla de la luz rápidamente para prender o apagar la luz.



Para la función de regulador de intensidad (DIMMER): presione y sostenga el botón ☀ para atenuar la luz. La luz hará un ciclo de brillante a atenuada hasta que se suelte el botón. La luz quedará en la última configuración si se apaga.

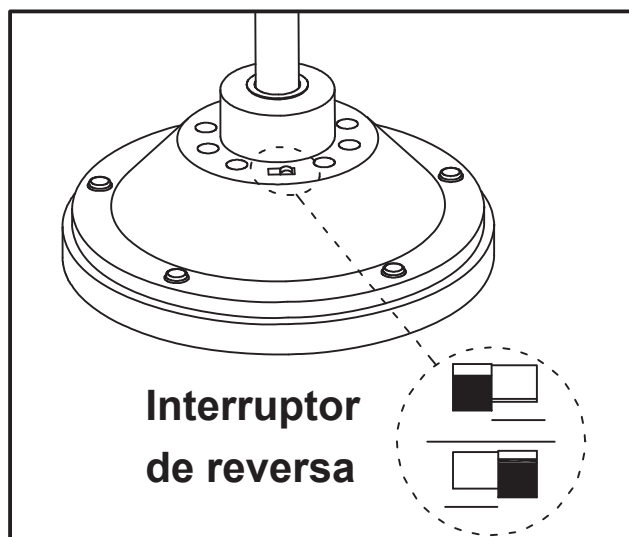
Este control remoto tiene función de memoria. El control remoto guarda la velocidad del ventilador y la configuración de la luz cuando se apaga el ventilador. Cuando el ventilador se vuelve a encender, comienza con la configuración más reciente.

OPERACIÓN (continuación)

Utilice el interruptor para reversar el ventilador para optimizar el desempeño de su ventilador en la estación.

Nota: Espere a que se detenga por completo el ventilador antes de reversar el interruptor.

- En clima más cálido, el movimiento hacia la izquierda del ventilador dará como resultado un flujo de aire hacia abajo, generando un efecto de enfriado del aire.
- En clima más fresco, el movimiento hacia la derecha del ventilador dará como resultado un flujo de aire hacia arriba que puede ayudar a desplazar el aire estancado del área del cielo raso.

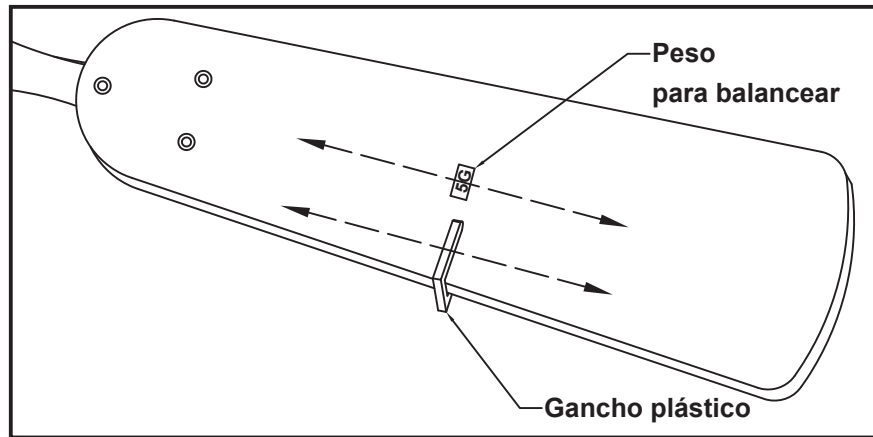


PASOS PARA BALANCEAR EL VENTILADOR DE TECHO

- Apriete los tornillos del soporte de montaje, de la caja eléctrica, de la barra colgante, de las aspas del ventilador a los soportes de las aspas, y los soportes de las aspas al motor.
- Mida la distancia del extremo de cada aspa al techo. Todas las aspas deben tener la misma distancia vertical desde el techo. Ajuste cualquier soporte de aspa que esté doblado, presionándolo suavemente hacia arriba o hacia abajo, hasta que todas las aspas estén a la misma distancia del techo.
- Si el bamboleo continúa, es posible que necesite un kit de balanceo de las aspas para estabilizar el ventilador de techo. Un kit de balanceo de las aspas consiste de un gancho plástico y dos pesas para balanceo.

Determinar cuál es el aspa que requiere ser balanceada es una tarea de ensayo y error.

1. Coloque una pieza numerada de cinta de enmascarar en cada aspa para poder identificar cada aspa.
2. Un aspa a la vez, fije el gancho plástico con ranuras al centro del borde del aspa y encienda el ventilador. Observe cuál es el aspa que tiene el gancho cuando el ventilador de techo se bambolea menos.
3. Coloque el gancho plástico en el borde del aspa, a medio camino entre el soporte del aspa y el extremo de la misma. Encienda el ventilador y fíjese si ha mejorado.
4. Si no ha mejorado, vuelva a apagar el ventilador. Deslice el gancho a lo largo del aspa hasta ubicar la fuente de la inestabilidad.
5. Una vez haya identificado el aspa defectuosa, presione una pesa de balanceo en la línea del centro. La pesa debe ir paralela al gancho.



ADVERTENCIA DE LA FCC

Este dispositivo cumple con el Apartado 15 de las Normas de la FCC. El funcionamiento está sujeto a las siguientes dos condiciones: (1) este dispositivo no puede causar interferencia perjudicial y (2) este dispositivo debe aceptar cualquier interferencia recibida, incluyendo interferencia que pueda causar funcionamiento no deseado.

Los cambios o modificaciones que no hayan sido aprobados expresamente por la parte responsable del cumplimiento pueden anular la facultad del usuario para operar el equipo.

NOTA: Este equipo ha sido probado y se demostró que cumple con los límites para un dispositivo digital de clase B, conforme al Apartado 15 de las normas de la FCC. Estos límites se han diseñado para brindar una protección razonable contra la interferencia perjudicial en una instalación residencial. Este equipo genera, utiliza y puede irradiar energía de radiofrecuencia y, si no se instala y utiliza de acuerdo con las instrucciones, puede causar interferencia perjudicial en las comunicaciones de radio. Sin embargo, no existe garantía alguna de que no ocurrirá interferencia en una instalación en particular. En caso de que este equipo cause interferencia perjudicial en la recepción de radio o televisión, lo cual puede determinarse apagando y volviendo a encender el equipo, se sugiere al usuario tratar de corregir la interferencia mediante una o más de las medidas siguientes:

Redirija o ubique en otro sitio la antena receptora, aumente la separación entre el equipo y el receptor, conecte el equipo a un tomacorriente en un circuito diferente de aquél al cual está conectado el ventilador.

CUIDADO Y MANTENIMIENTO

Por lo menos dos veces al año, apriete todos los tornillos y baje la cubierta para revisar los tornillos del soporte de montaje y de la barra colgante. Limpie la carcasa del ventilador solamente con un cepillo suave o un paño libre de pelusas para evitar rayar el acabado. Limpie las aspas con un paño libre de pelusas. Apague la alimentación eléctrica principal antes de iniciar cualquier mantenimiento. No use agua o un paño mojado para limpiar el ventilador de techo.

GARANTÍA

Kichler ofrece la siguiente garantía limitada de por vida al Comprador Original de un Ventilador de Techo Kichler: si el motor del ventilador o piezas relacionadas con el motor fallasen debido a lo que Kichler, a su exclusiva discreción, determine que sea un defecto de materiales o mano de obra, Kichler, a su elección, reparará o reemplazará la pieza defectuosa de forma gratuita.

Con excepción de lo dispuesto a continuación, durante un (1) año a partir de la fecha de compra, si cualquier pieza que no sea el motor o relacionada con el mismo, incluyendo, sin limitarse a ello, las aspas, los conjuntos de luces, las varillas, los interruptores, el alojamiento o el acabado fallasen debido a lo que Kichler, a su exclusiva discreción, determine que es un defecto de material o mano de obra, Kichler, a su elección, reparará o reemplazará la pieza defectuosa de forma gratuita.

Para reemplazar un producto que tenga un defecto cubierto por garantía, el Comprador Original deberá devolver cualquier pieza o producto supuestamente defectuosos al distribuidor Kichler autorizado al que se le compró el producto con PRUEBA DE COMPRA, el nombre del Comprador Original y la dirección para el envío y una descripción del defecto de producto sobre el que se reclama.

Si Kichler, a su exclusiva discreción, encuentra que cualquiera de los productos garantizados es defectuoso, ese producto será, a opción y costo exclusivos de Kichler, reemplazado, reparado o reembolsado descontando una cantidad directamente atribuible al uso previo del producto por el Comprador Original. Kichler devolverá el producto reparado o reemplazado con flete pagado por adelantado. Esta garantía no cubre la mano de obra u otros costos o gastos para desmontar o instalar cualquier producto defectuoso, reparado o reemplazado.

Las partes en el presente acuerdan expresamente que el único y exclusivo recurso del Comprador Original contra Kichler será por la reparación, reemplazo o reembolso de productos defectuosos según se dispone aquí. Esta garantía se extiende únicamente a la propiedad del producto por el Comprador Original; no es transferible ni a herederos, propietarios subsecuentes o de otro modo; y no tiene validez si el Comprador Original deja de ser propietario del producto.

Esta garantía no aplica a ningún producto que haya sido objeto de uso indebido, manipulación indebida, aplicación indebida, conectado a voltaje superior al 5 % del voltaje norteamericano estándar, uso inusual (incluyendo sin limitación el uso en un ambiente donde la temperatura promedio anual de operación sea inferior a 27 oF [-2.8 oC] o superior a 95 oF [35 oC]), negligencia (incluyendo sin limitación mantenimiento indebido), accidente, causas de fuerza mayor como vientos fuertes, instalación o cuidado indebidos, no seguir las instrucciones escritas para el uso y cuidado normales del producto, el empaque indebido de productos devueltos a Kichler, modificación (incluyendo sin limitación el uso de repuestos o accesorios no autorizados), o ajuste o reparación. La exposición significativa del producto a químicos, limpiadores fuertes, agua salada o aire salado invalidará cualquiera y toda garantía sobre los acabados exteriores. Esta garantía solo aplica cuando todos los componentes, incluyendo los transformadores, han sido suministrados por Kichler. Sustituirlos con productos o componentes de otro fabricante invalidará por completo la garantía.

ESTA GARANTÍA LE OTORGA DERECHOS LEGALES ESPECÍFICOS. USTED TAMBIÉN PUEDE TENER OTROS DERECHOS QUE VARÍAN DE ESTADO A ESTADO. ALGUNOS ESTADOS NO PERMITEN LIMITACIONES SOBRE LA DURACIÓN DE UNA GARANTÍA IMPLÍCITA O LA EXCLUSIÓN O LIMITACIÓN DE DAÑOS INCIDENTALES O INDIRECTOS; POR TANTO, LAS LIMITACIONES O EXCLUSIONES ANTERIORES PUEDEN NO APLICAR EN SU CASO.

LA GARANTÍA RECIÉN DESCRITA REPLAZA CUALQUIER OTRA GARANTÍA, EXPRESA O IMPLÍCITA, INCLUYENDO AQUELLAS DE COMERCIALIZACIÓN, ADECUACIÓN PARA CUALQUIER PROPÓSITO PARTICULAR O INFRACCIÓN. EL COMPRADOR ORIGINAL EN NINGÚN CASO TENDRÁ DERECHO A, Y KICHLER LIGHTING NO SERÁ RESPONSABLE POR, DAÑOS INDIRECTOS, ESPECIALES, INCIDENTALES O CONSECUENTES DE CUALQUIER NATURALEZA, INCLUYENDO SIN LIMITACIÓN PÉRDIDA DE UTILIDADES, GASTOS PROMOCIONALES Y/O DE FABRICACIÓN, GASTOS GENERALES, DAÑO A LA REPUTACIÓN Y/O PÉRDIDA DE CLIENTES.