

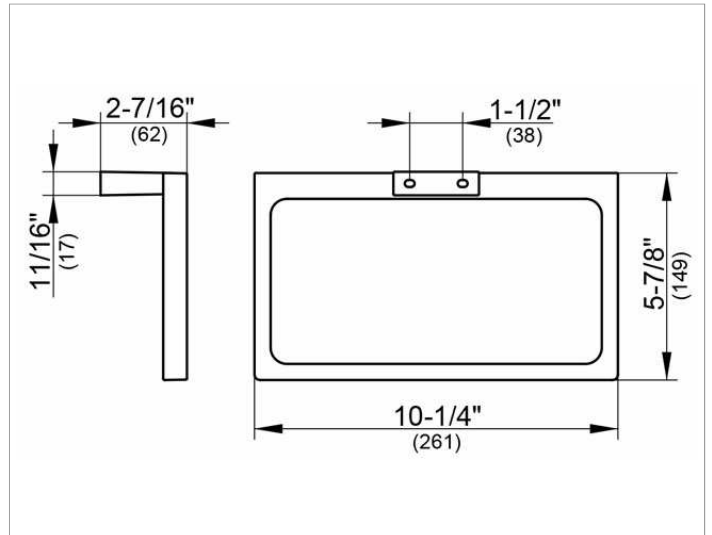
Edition 11

11121050000 Towel ring

PRODUCT



DRAWING



SURFACE

brushed nickel

SPECIFICATIONS

KEUCO EDITION 11 towel ring 11121050000
 brushed nickel towel ring in formal design and clear geometric shapes
 Width 10-1/4" Depth: 2-7/16",
 delivery with corrosion resistant mounting hardware

Warranty: KEUCO products are covered by a 5-year manufacturer's warranty, in effect from the date of purchase. During this time, proven product defects will be remedied free of charge. Warranty claims must be filed in writing, including a detailed description of the defect immediately after a defect has occurred. For a copy of our detailed product warranty policy, please contact us at office-usa@keuco.com.

Installation: KEUCO products must be installed by a qualified professional in accordance with the respective installation guidelines and any applicable federal / local building codes and regulations.