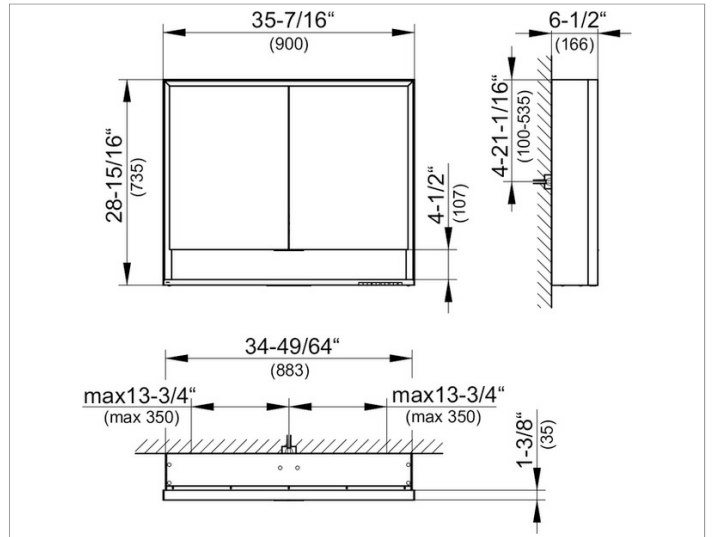


**Royal Lumos**  
**14303171351 Mirror cabinet**

**PRODUCT**



**DRAWING**



**PRODUCT ATTRIBUTES**

wall mounted,  
 adjustable light color from 2700 kelvin (warm white) to 6500 kelvin (daylight),  
 2 hinged double sided crystal mirrored doors,  
 Body: aluminum silver anodized  
 Body panels and interior rear wall mirrored  
 Operation:  
 key panel with capacitive touch sensor,  
 integrated extension function for e.g. light switch  
 Illumination:  
 frame lighting and washbasin/shelf light separately,  
 infinitely dimmable and can be switched on/off  
 LED 58 watt (lifespan > 30.000 hours)  
 EEK: A++, A+, A , 58 kWh/1000h

**EQUIPMENT**

- 2 sockets
- 2 x 2 adjustable glass shelves
- storage space across full width
- soft-closing doors

**SURFACE**

silver anodized

**DIMENSION**

35,43 x 28,94 x 6,5 "

**SPECIFICATIONS**

KEUCO Royal Lumos Mirror cabinet 14303171351  
 High quality Mirror cabinet in elegant design

wall mounted,  
 adjustable light colour from 2700 kelvin (warm white) to 6500 kelvin (daylight),  
 2 hinged double sided crystal mirrored doors,  
 Body: aluminium silver anodized  
 Body panels and interior rear wall mirrored

Operation:  
 key panel with capacitive touch sensor,  
 integrated extension function for e.g. light switch

Illumination:  
 frame lighting and washbasin/shelf light separately,  
 infinitely dimmable and can be switched on/off  
 LED 58 watt (lifespan > 30.000 hours)  
 infinitely dimmable, lamps non-exchangeable

- 2 sockets
- 2 x 2 adjustable glass shelves
- storage space across full width
- soft-closing doors

35-7/16" x 28-15/16" x 6-1/2"

silver anodized

**Warranty:** KEUCO products are covered by a 5-year manufacturer's warranty, in effect from the date of purchase. During this time, proven product defects will be remedied free of charge. Warranty claims must be filed in writing, including a detailed description of the defect immediately after a defect has occurred. For a copy of our detailed product warranty policy, please contact us at office-usa@keuco.com.

**Installation:** KEUCO products must be installed by a qualified professional in accordance with the respective installation guidelines and any applicable federal / local building codes and regulations.