

FEATURES

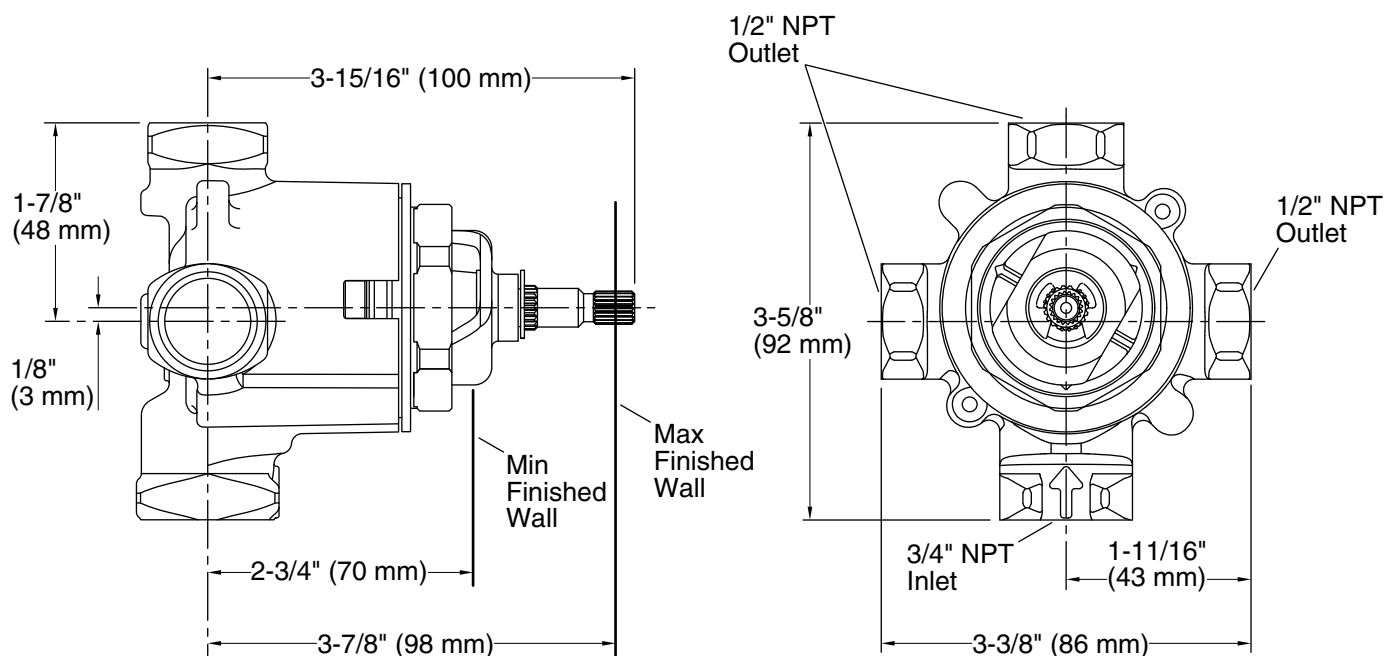
- Controls all functions from a single valve, one function on at one time
- Solid brass construction for durability and reliability
- Wall-mount installation
- Brass valve body
- Trickle flow from any two outlets to a variable flow from a single outlet
- Single-handle control
- One 3/4" NPT inlet connection
- Three 1/2" NPT outlet connections
- Can be converted from 3 outlets (360° handle rotation) to 2 outlets (120° handle rotation)

CODES/STANDARDS APPLICABLE

Specified model meets or exceeds the following:

- ASME A112.18.1/CSA B125.1

P29514



SPECIFIED MODEL		
Model	Description	Finishes
P29514-00	3-way/2-way Transfer Valve Eco	<input type="checkbox"/> NA

We reserve the right to make revisions without notice in the design of products or in packaging unless this right has specifically been waived at the time the order is accepted.