

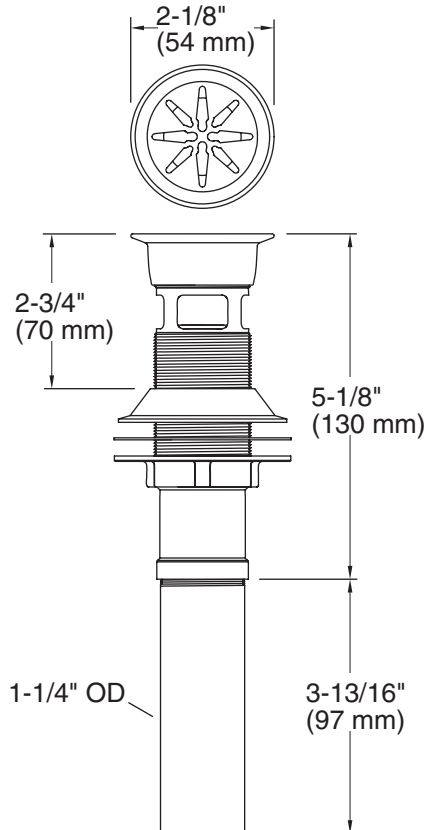
FEATURES

- Solid brass construction for durability and reliability
- Extra durable finish for high-traffic environment
- 1-1/4" Connection
- Decorative trim cap design
- Works with overflow and non-overflow lavatories
- Complements Kallista faucets and fixtures

CODES/STANDARDS APPLICABLE

- Specified model meets or exceeds the following:
- ASME A112.18.2/CSA B125.2

P21680



PRODUCT INFORMATION

| | |
|-----------------------------|-------------------|
| Drain length | 8-15/16" (227 mm) |
| Drain hole | 1-1/4" OD |
| All dimensions are nominal. | |

SPECIFIED MODEL

| Model | Description | Finishes | | | | | | | |
|---|----------------------|---|---|--|--|---|--|--|--|
| P21680-00 | Lavatory grid drain | <input type="checkbox"/> CP Polished Chrome | <input type="checkbox"/> AD Nickel Silver | <input type="checkbox"/> AG Brushed Nickel | <input type="checkbox"/> BV Brushed Bronze | <input type="checkbox"/> BL Matte Black | | | |
| Required Accessory for Certain Basins (See Pricebook) | | | | | | | | | |
| P21640-00 | Drain spacer kit | <input type="checkbox"/> CP Polished Chrome | <input type="checkbox"/> AD Nickel Silver | <input type="checkbox"/> AG Brushed Nickel | <input type="checkbox"/> GN Gunmetal | <input type="checkbox"/> LB Bronze | <input type="checkbox"/> W6 Weathered Bronze | <input type="checkbox"/> W7 Black Nickel | |
| Optional Accessory | | | | | | | | | |
| P21639-00 | Exposed drain shroud | <input type="checkbox"/> CP Polished Chrome | <input type="checkbox"/> AD Nickel Silver | <input type="checkbox"/> AG Brushed Nickel | <input type="checkbox"/> GN Gunmetal | <input type="checkbox"/> LB Bronze | <input type="checkbox"/> W6 Weathered Bronze | <input type="checkbox"/> W7 Black Nickel | |

We reserve the right to make revisions without notice in the design of products or in packaging unless this right has specifically been waived at the time the order is accepted.