

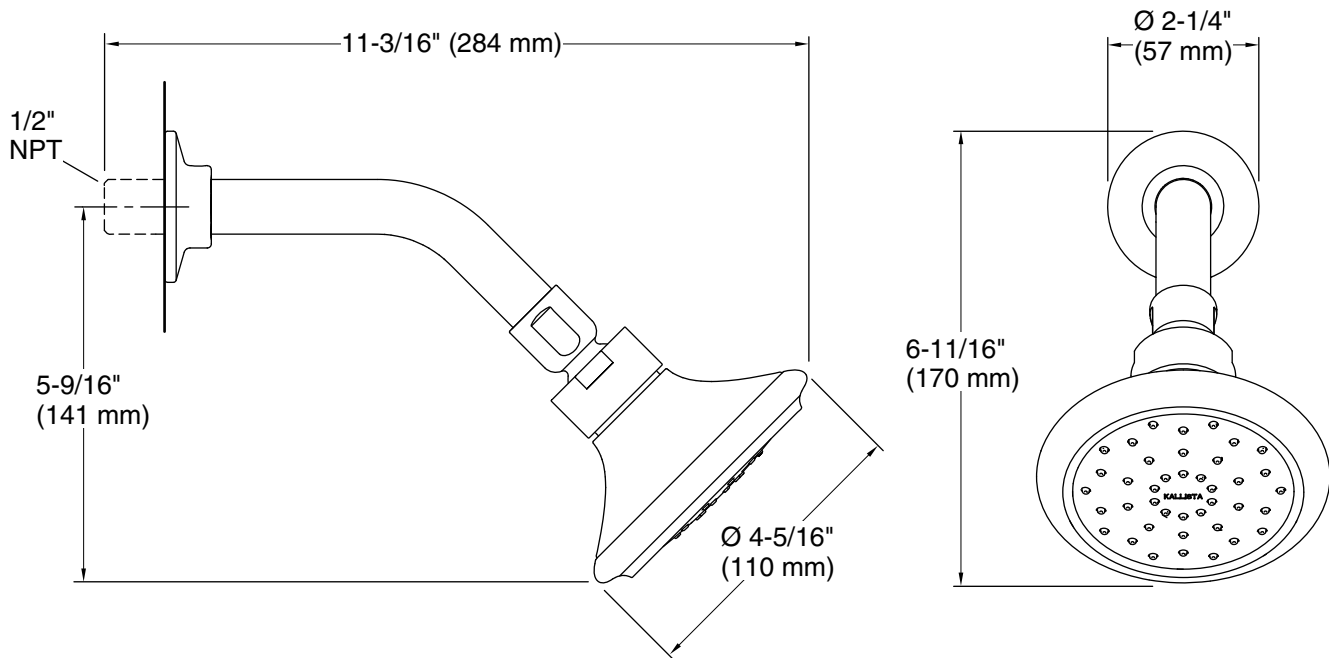
FEATURES

- *Sprayface resists hard water build-up and is easy to clean*
- *1.75 gal/min (6.6 l/min) flow rate*
- *Complements the Script collection*

CODES/STANDARDS APPLICABLE

- Specified model meets or exceeds the following:
- ASME A112.18.1/CSA B125.1
 - EPA WaterSense®

P25040



SPECIFIED MODEL

Model	Description	Finishes		
P25040-00	Script Single-Function Showerhead with Arm	<input type="checkbox"/> CP Polished Chrome	<input type="checkbox"/> AD Nickel Silver	<input type="checkbox"/> BCH Blush Bronze

We reserve the right to make revisions without notice in the design of products or in packaging unless this right has specifically been waived at the time the order is accepted.