

Features

- Bath- or deck-mount
- Two-way brass diverter valve
- Diverter valve has backflow protection

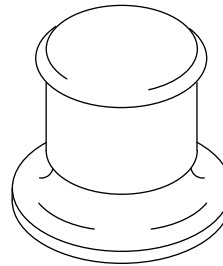
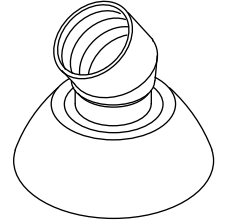
Codes/Standards Applicable

Specified model meets or exceeds the following:

- ASME A112.18.1/CSA B125.1
- ASSE 1014
- ASSE 1025

**DIVERTER VALVE AND
HANDSHOWER HOSE GUIDE**

K-8548
ALSO K-8549



Colors/Finishes

- CP: Polished Chrome
- PB: Vibrant® Polished Brass
- Other: Refer to Price Book for additional colors/finishes

Accessories

- NA: None applicable

Specified Model

Model	Description	Colors/Finishes		
K-8548	Three-Way Handshower Hose Guide	<input type="checkbox"/> CP	<input type="checkbox"/> PB	<input type="checkbox"/> Other ____
K-8549	Two-Way Diverter Valve and Handshower Hose Guide	<input type="checkbox"/> CP	<input type="checkbox"/> PB	<input type="checkbox"/> Other ____

Optional Accessories		
79583	Roughing-in kit for deck-mount handshowers	<input type="checkbox"/> NA

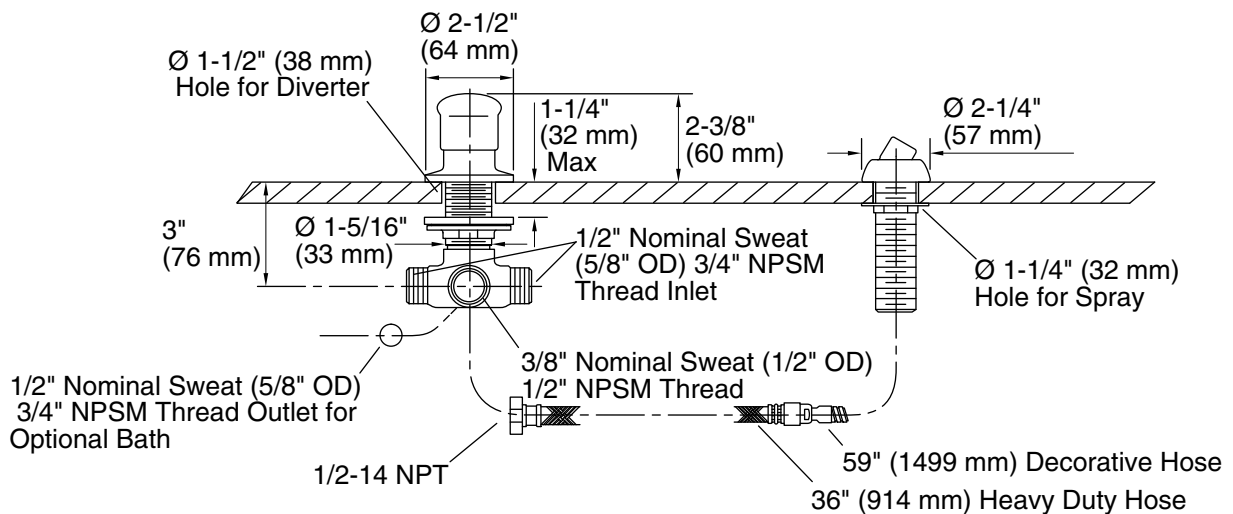
Product Specification

Two-way diverter valve and three-way handshower hose guide shall be bath- or deck-mount. Two-way diverter valve shall be of brass construction. Diverter valve shall have backflow protection. Product shall be Kohler Model K-____-____.

Installation Notes

Install this product according to the installation guide.

Diverter valve has backflow protection.



Product Diagram

DIVERTER VALVE AND HANDSHOWER HOSE GUIDE

Page 2 of 2
1000588-4-E

THE BOLD LOOK
OF **KOHLER**®