

**Features**

- Brass construction
- Available with cross or lever handles
- Front seal plate assembly
- Complements Pinstripe® Suite
- Intended for use with Kohler valves

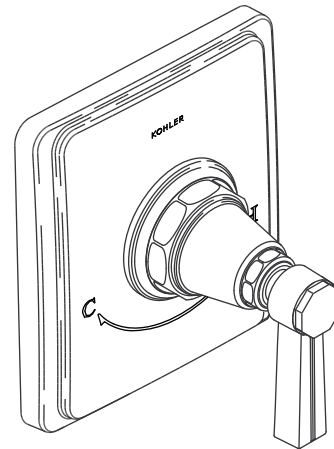
**THERMOSTATIC TRIM SET  
K-T13173  
ALSO K-T13174, K-T13175**

**ADA**

**Codes/Standards Applicable**

Specified model meets or exceeds the following:

- ADA
- ASME A112.18.1/CSA B125.1
- ICC/ANSI A117.1



**Colors/Finishes**

- CP: Polished Chrome
- Other: Refer to Price Book for additional colors/finishes
- NA: None applicable

**Specified Model**

Model	Description	Colors/Finishes	
K-T13173-*	Thermostatic trim	<input type="checkbox"/> CP	<input type="checkbox"/> Other ____
K-T13174-*	Volume control trim	<input type="checkbox"/> CP	<input type="checkbox"/> Other ____
K-T13175-*	Transfer valve trim	<input type="checkbox"/> CP	<input type="checkbox"/> Other ____

\* Handle type must be specified when ordering: plain cross handles (3A), grooved cross handles (3B), plain lever handles (4A), or grooved lever handles (4B).

Required Valve		
K-2972-KS (replaces K-679-KS)	1/2" Thermostatic valve	<input type="checkbox"/> NA
K-2974-K (replaces K-681-K)	1/2" Volume control valve	<input type="checkbox"/> NA
K-2975-KS (replaces K-669-KS)	3/4" Thermostatic valve	<input type="checkbox"/> NA
K-2977-K (replaces K-671-K)	3/4" Volume control valve	<input type="checkbox"/> NA
K-728-K	3/4" Transfer valve	<input type="checkbox"/> NA
K-737-K	3/4" Diverter valve	<input type="checkbox"/> NA

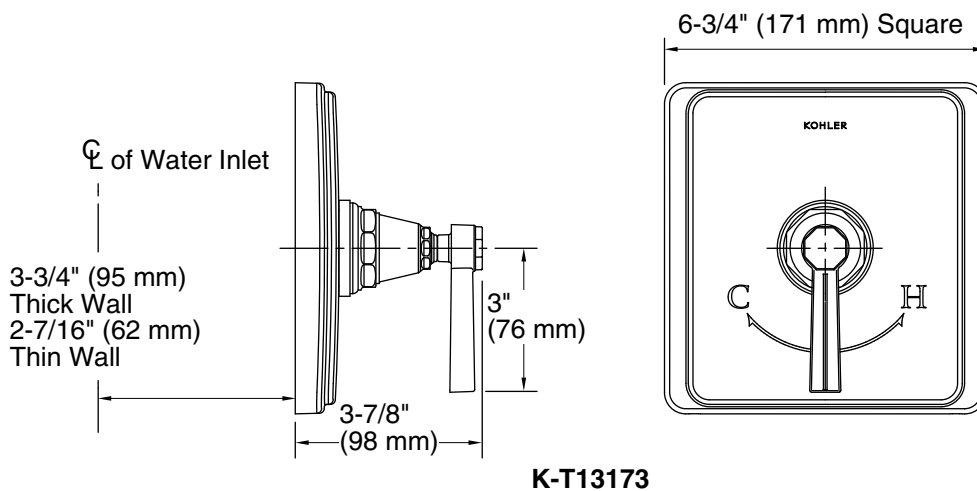
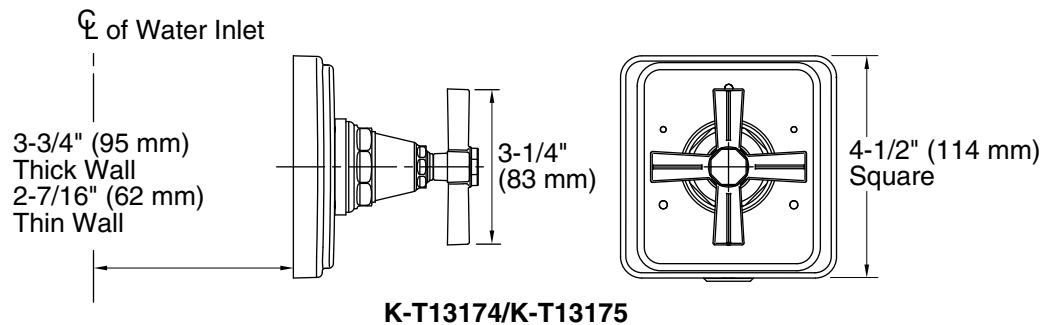
**Product Specification**

Thermostatic trim set shall be of brass construction. Trim shall include front seal plate assembly. Product shall be available with cross or lever handle. Trim shall complement the Pinstripe Suite. Faucet trim shall be Kohler Model K-T\_\_\_\_-\_\_\_\_-\_\_\_\_ and required valving shall be K-\_\_\_\_-\_\_\_\_-NA.

# PINSTRIBE™

## Installation Notes

Install this product according to the installation guide.



## Product Diagram