

Features

- Includes thermostatic cartridge and mud guard.
- 9 gpm (34 l/min) maximum flow rate at 45 psi.
- Single lever design cycles from off through cold to hot.
- One-piece cartridge design simplifies installation and maintenance.
- Adjustable high-temperature limit stop to control maximum water temperature.
- Requires trim and any K-8300 valve body to complete installation (sold separately).

Material

- Materials selected to resist attack from aggressive water conditions.

Technology

- Thermostatic technology automatically maintains outlet temperature within +/- 3.6°F (+/- 2°C) during water pressure fluctuations.

Installation

- Cartridge is reversible for installations where hot and cold supplies are reversed.

Required Products/Accessories

K-8300/K-P8300 Series Rite-Temp® Valve Body Rough-ins

Adapters, Rough-in and Extension Kits

10350 Range: 0" (0 mm) -
3/4" (19 mm)

Optional Products/Accessories

K-10350 Deep Rough-In Kit For K-8305 Cartridges

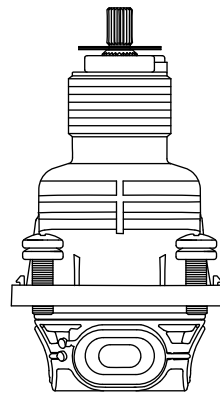
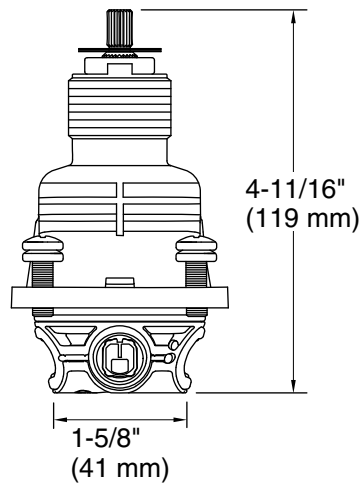
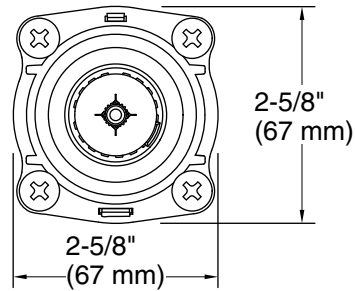


Codes/Standards

ASME A112.18.1/CSA B125.1
ASSE 1016/ASME A112.1016/CSA B125.16

KOHLER® Faucet Lifetime Limited Warranty

See website for detailed warranty information.



Technical Information

All product dimensions are nominal.

Shower Valve:

Flow Rate (Max) @ 45 psi	9 gal/min (34.1 l/min)
Manufacturer's minimum rated flow:	1.5 gal/min (5.7 l/min)
Pressure:	45 psi (3.1 bar)
Maximum (Static) Pressure:	125 psi (8.6 bar)
Minimum (Operating) Pressure:	20 psi (1.4 bar)

Notes

Install this product according to the installation instructions.

For use with showerheads or handsprays rated at 1.5 gal/min (5.7 l/min) or higher.