

INSTALLATION INSTRUCTIONS FOR P1323-L

For LED Wall Mount Fixture

I/M

FINAL

3/7/14

WARNING! SHUT POWER OFF AT FUSE OR CIRCUIT BREAKER.

AVERTISSEMENT! COUPER LE COURANT AU NIVEAU DES FUSIBLES OU DU DISJONCTEUR

MOUNTING THE FIXTURE (Fig.1)

1. Shut off power at the fuse box or circuit breaker box. If necessary remove the existing fixture and its mounting hardware.
2. Carefully remove the new fixture from the carton and check that all parts are included as shown in the illustration.
3. Position mounting plate (B) on the wall, and mark the location of the two drywall anchors (A). Pre-drill the holes for the drywall anchors (A) and insert the drywall anchors (A) into the wall.
4. Attach the mounting plate (B) to the junction box using junction box screws (E) (Size: 8-32*1/2"L). The side of the mounting plate marked "GND" must face out
5. Place the wood screws (C) through the holes of the mounting plate (B) and into the drywall anchors (A) to secure the mounting plate (B) to the wall

CONNECTION THE WIRES (Fig.2)

6. Connect the electrical wires as shown in Fig.2, making sure that all wire connectors are secured. If your outlet has a ground wire (green or bare copper), connect the fixture's ground wire to it. Otherwise, connect the fixture's ground wire directly to the circular strap using the green screw (D) provided. After the wires are connected, tuck them neatly into the outlet box.

FINISHING THE INSTALLATION (Fig.1)

7. Align the fixture (F) over mounting plate (B) and secure with screws (G).
8. Place glass (J) onto the fixture (F), and secure with Nut Cap (H); Place glass (K) onto the fixture (F), and secure with Nut Cap (H); Place glass (L) onto the fixture (F), and secure with Nut Cap (H) Your installation is now complete. Return power to the outlet box and test the fixture.

CAUTION /ATTENTION: When handling the fixture, do not apply pressure to the LEDs. Hold the fixture by the base or fixture body (F) only.

Replacing LED module (Fig.3)

The LED module can be replaced by a qualified electrician without cutting the wire and without damaging the decorative element to which the fixture is attached. See installation steps for more details (Fig.3)

Warning: Turn off power at the fuse box or circuit breaker before replacing the LED module.

- a. To remove the fixture from the wall: loosen screws (G), and remove the wire connectors. Then place the fixture on a clear flat surface.
- b. loosen screws (H), remove glass (L).
- c. Loosen screws (T), remove Tube (M), Loosen screws (O), remove Sheet Iron (N) and glass panel (S). Loosen screws (R), gasket (Q) and carefully remove LED module (P).
- d. Reverse steps a-c for installing the new LED module.

Note: The LED module should be provided by a specified supplier.

IMPORTANT: Fixture should be installed by a qualified electrician to ensure proper wiring and installation.

Dimmable with ELV and/or LED compatible wall dimmer switches

Fig.1

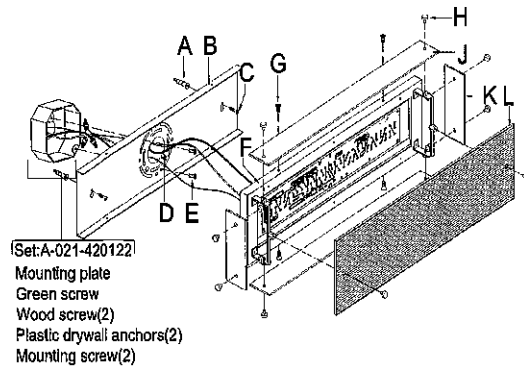


Fig.2

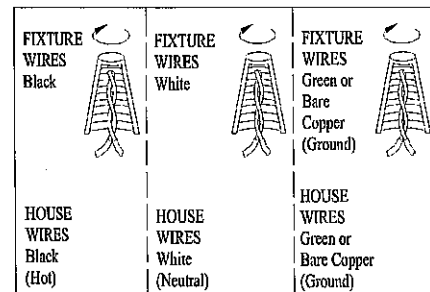


Fig.3

