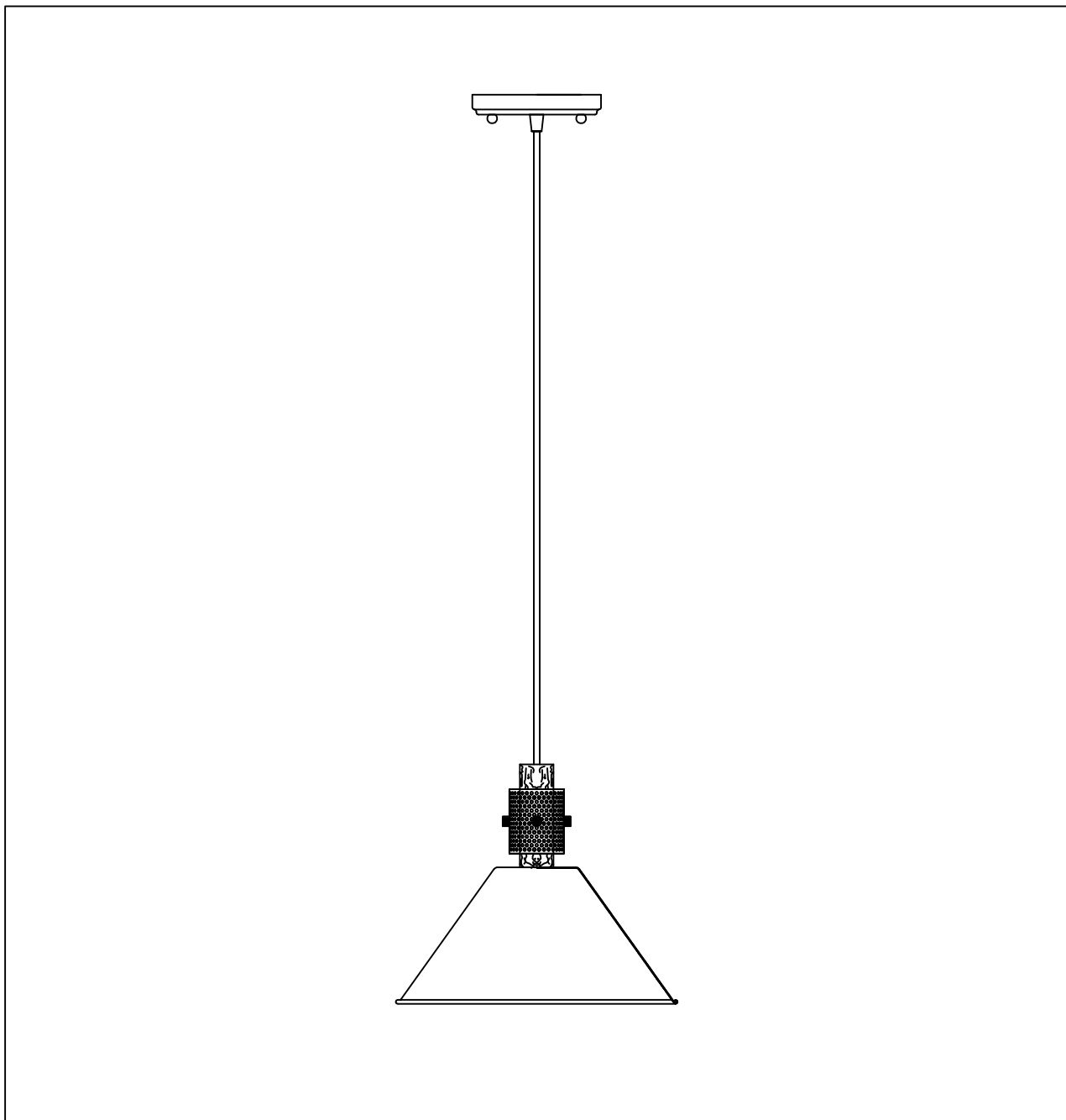




PRODUCT NAME: Tucson 1-Light Pendant
NUMBER: 10089

Please consult your electrician for Hang fixture and wiring.



Bulb (Not included) : 1*MB 60W

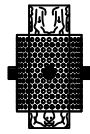
IMPORTANT: Turn off power at the main fuse or circuit breaker box before starting installation



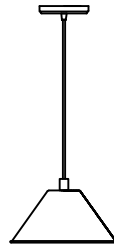
(A) Bracket



(B) Ball nut

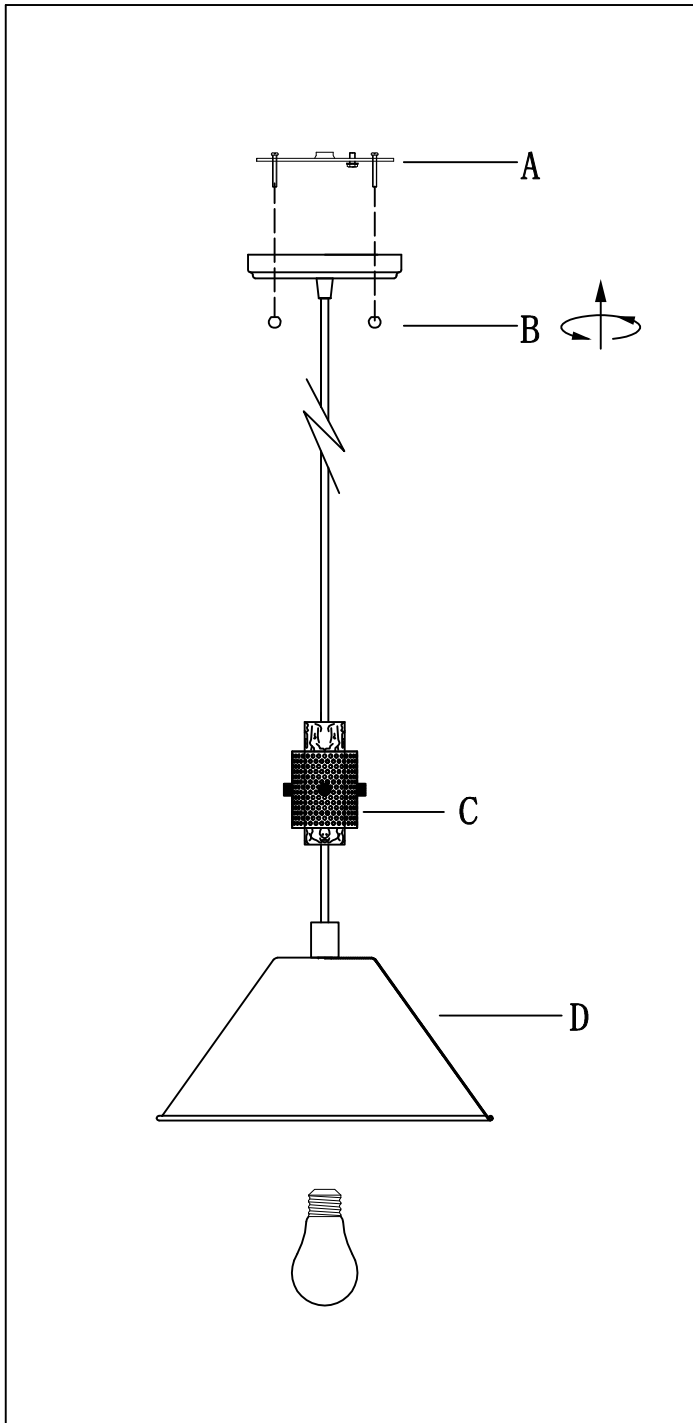


(C) Part

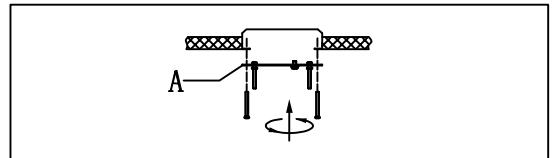


(D) shade

Locate all hardware & components before discarding packaging

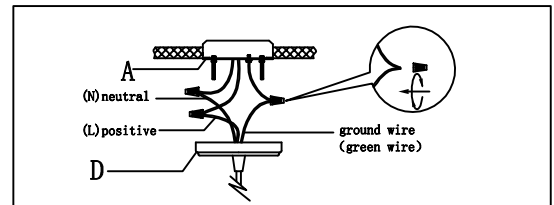


1.)



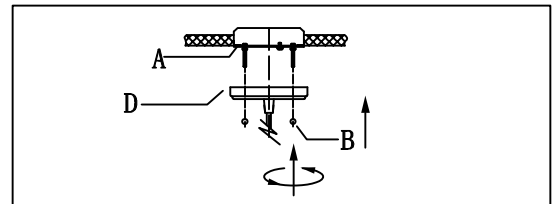
Step. 1: Remove mounting bracket (A) from fixture and install to electrical box.

2.)



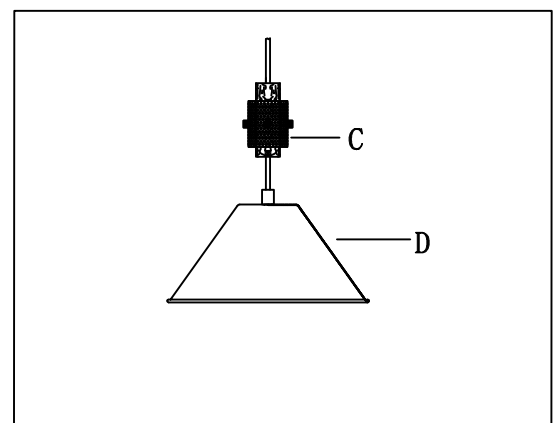
Step. 2: Wire fixture to wires in outlet box. Copper/Green wire is for Ground.

3.)



Step. 3: Install fixture to bracket and tighten ball nuts (B) on the canopy to secure.

4.)



Step. 4: Put part (C) on the top of shade (D).

Cleaning & Care:

Clean with soft cloth and a mild detergent.
Do not use abrasive cleaner.