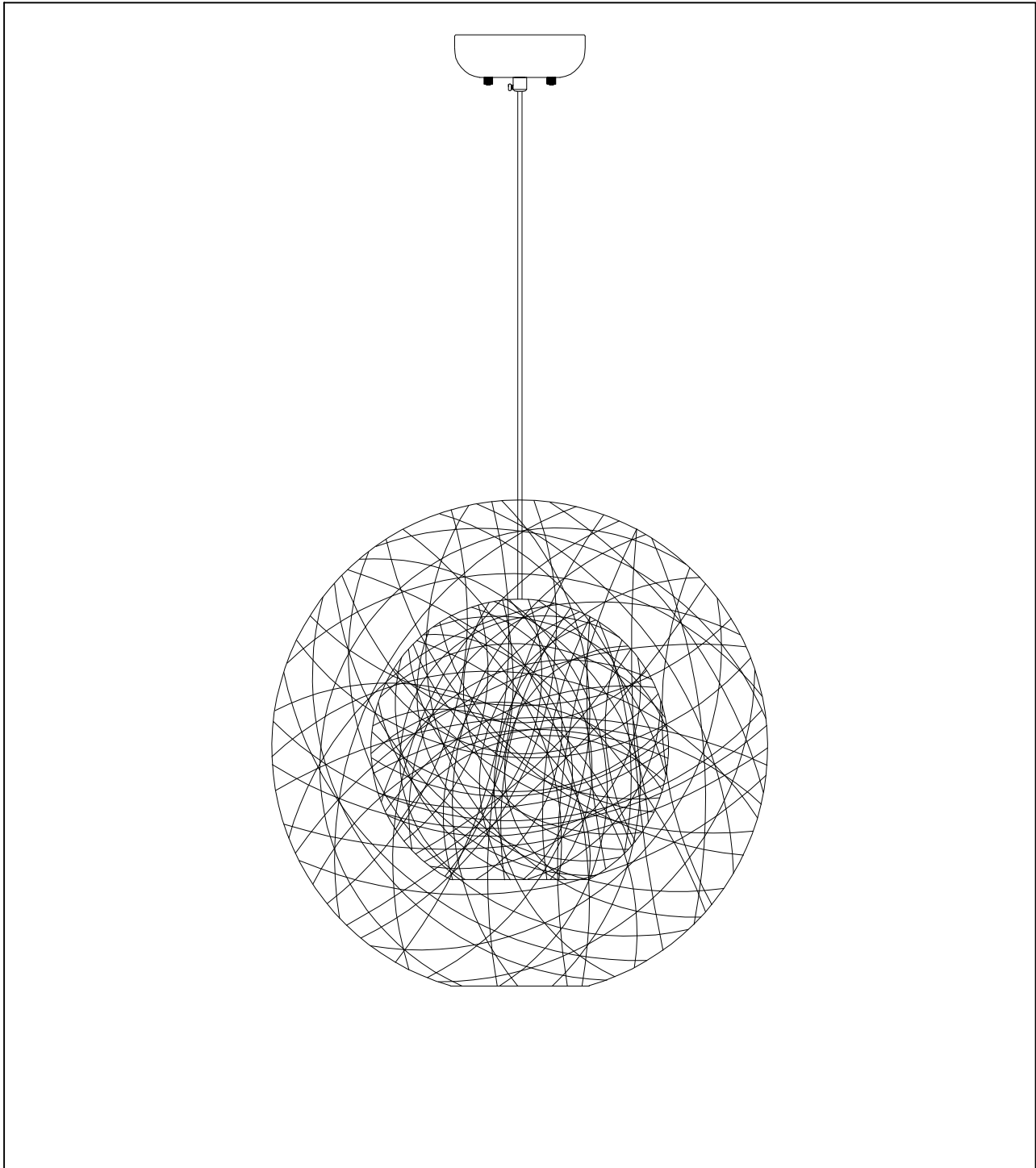




PRODUCT NAME: Bali
ITEM NUMBER: 14405NAWT

Please consult your electrician for hanging fixture and wiring.

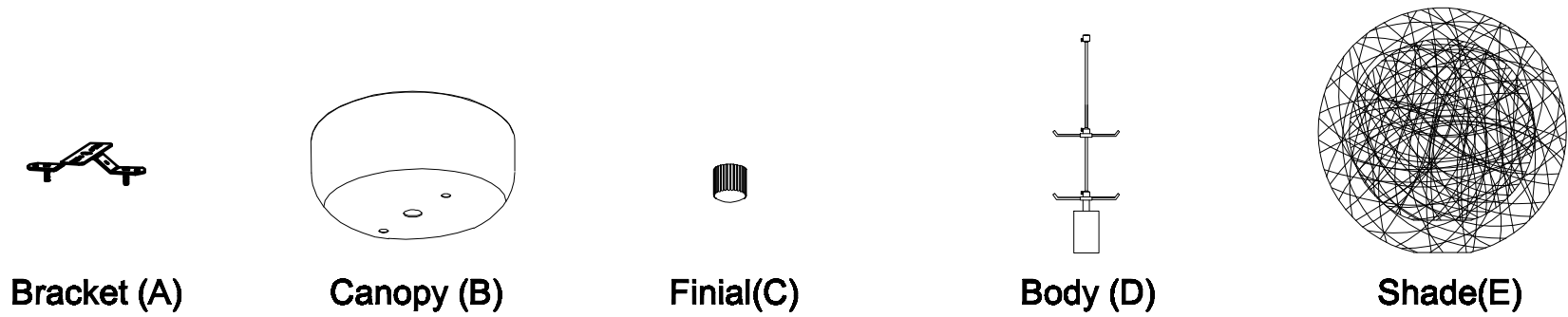


E26 1X60W

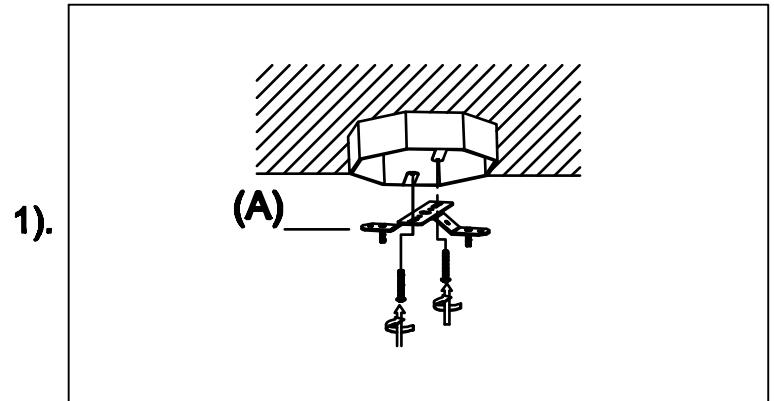
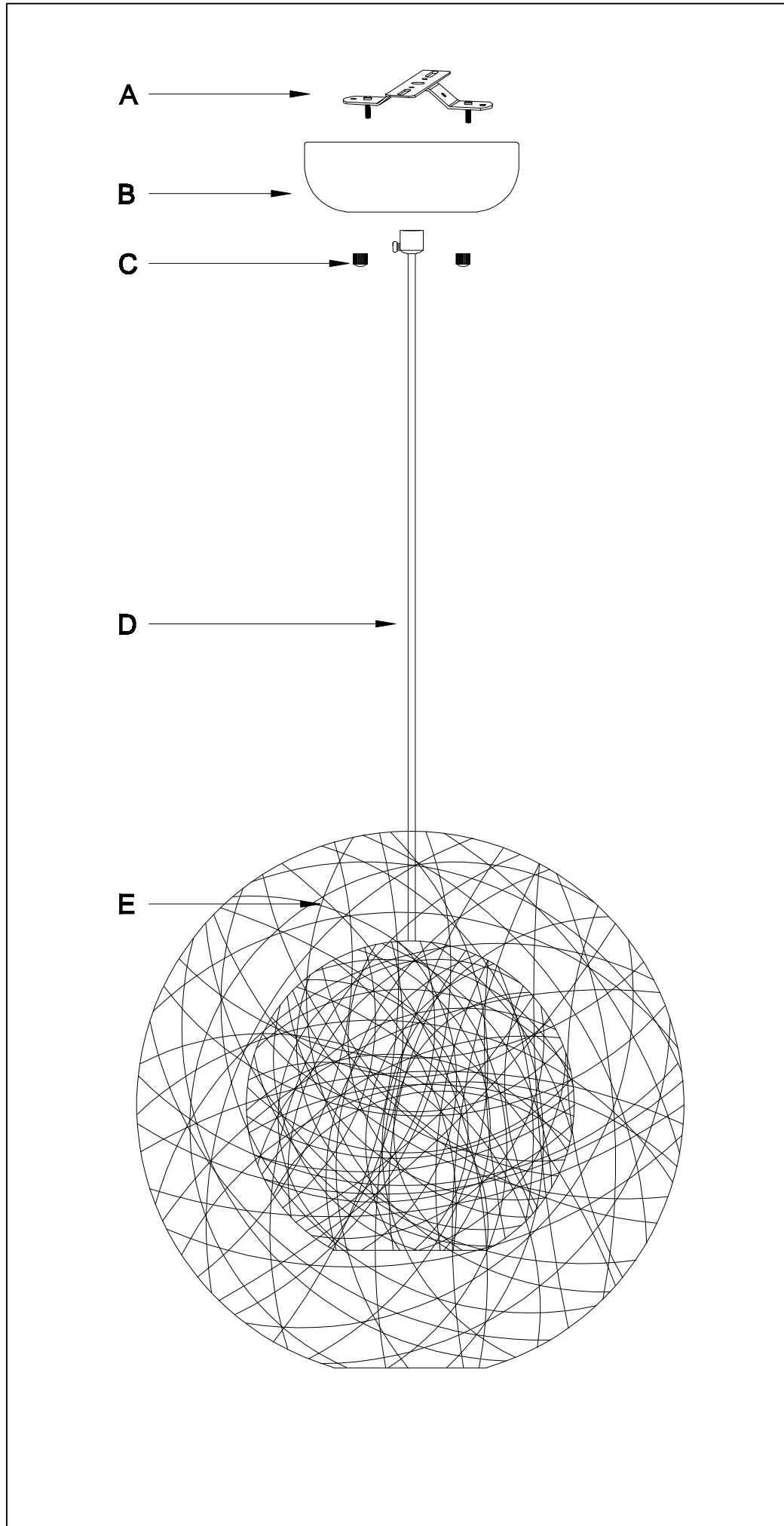
**PRODUCTS ARE NOT INENDED
FOR COMMERCIAL USE.**

**MADE IN CHINA
Page 1 of (2)**

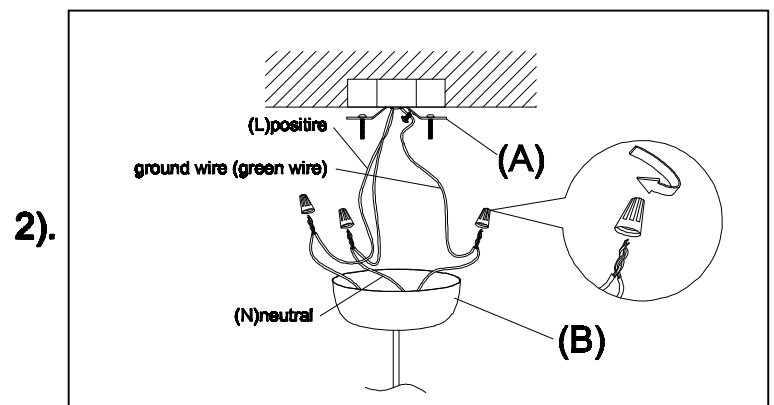
IMPORTANT: Turn off the power at the main fuse or circuit breaker box before starting installation



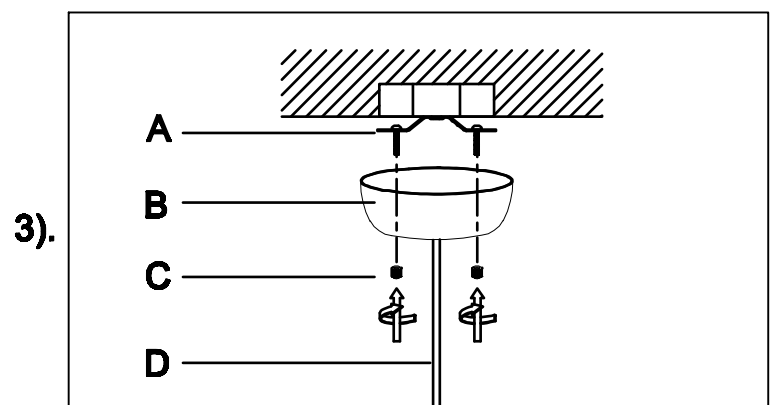
Locate all hardware & components before discarding packaging



Step.1: Remove mounting bracket(A) from fixture and install to electrical box.



Step.2: Wire fixture to wires in outlet box. Green wire is for Ground.



Step.3: Adjust cable length to desired mounting height, and tighten strain relief screws to secure. Install body(C) to bracket(A) and tighten finials(C) on the canopy(B) to secure.

Cleaning & Care:

Clean with soft cloth and a mild detergent.
Do not use abrasive cleaner.