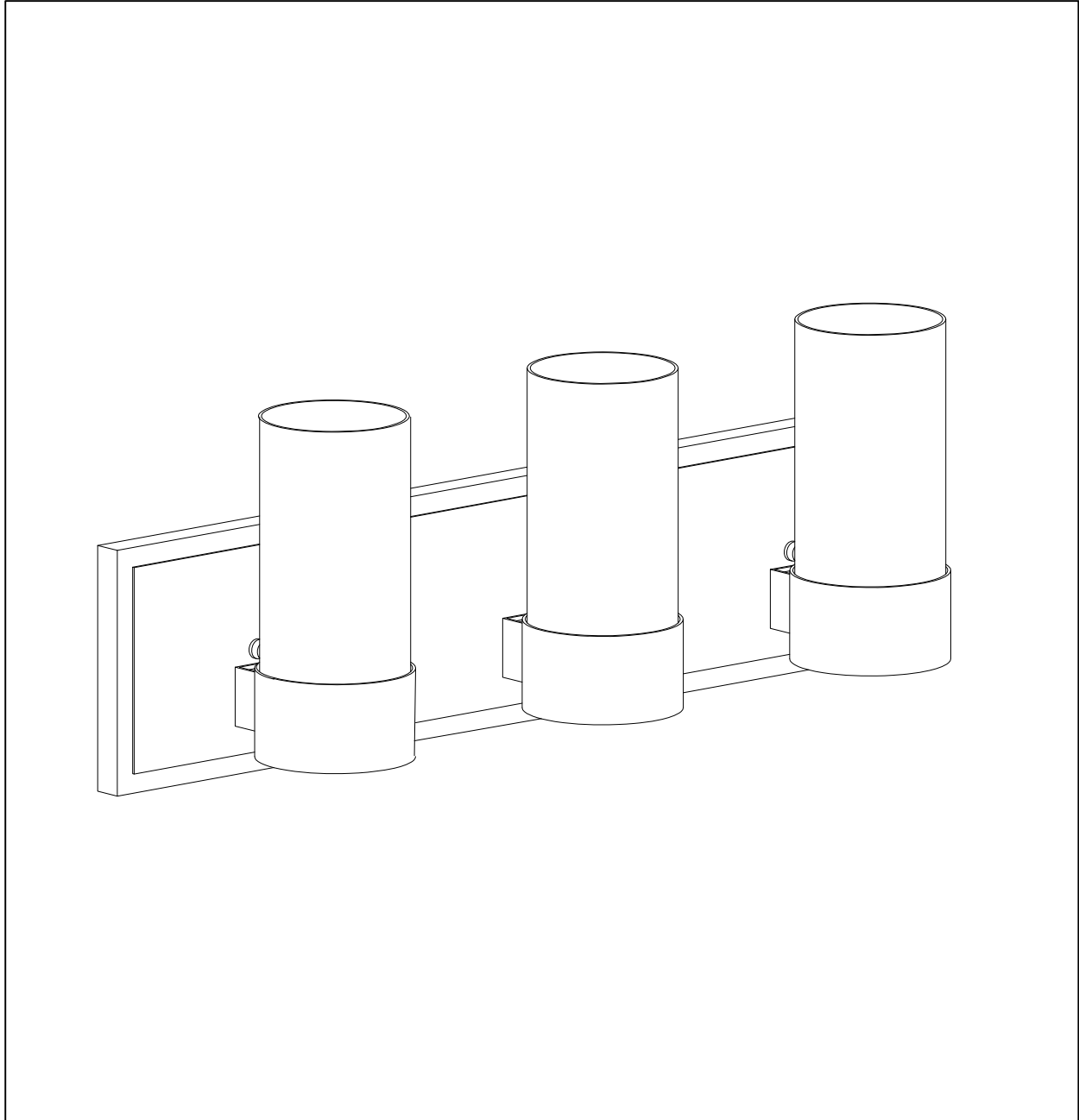




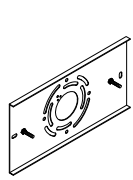
PRODUCT NAME: Silo
ITEM NUMBER: 23073

Please consult your electrician for hanging fixture and wiring.

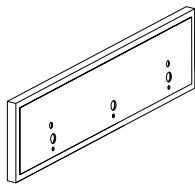


Bulb(included): 3 x 40W G9 Candelabra Bulbs

IMPORTANT: Turn OFF the power at the main fuse or circuit breaker box before starting installation



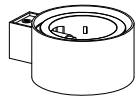
A
Mounting Hardware



B
Back Plate



C
Finial



D
Cup



E
Round Glass



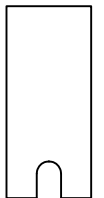
F
Cover



G
Bulb

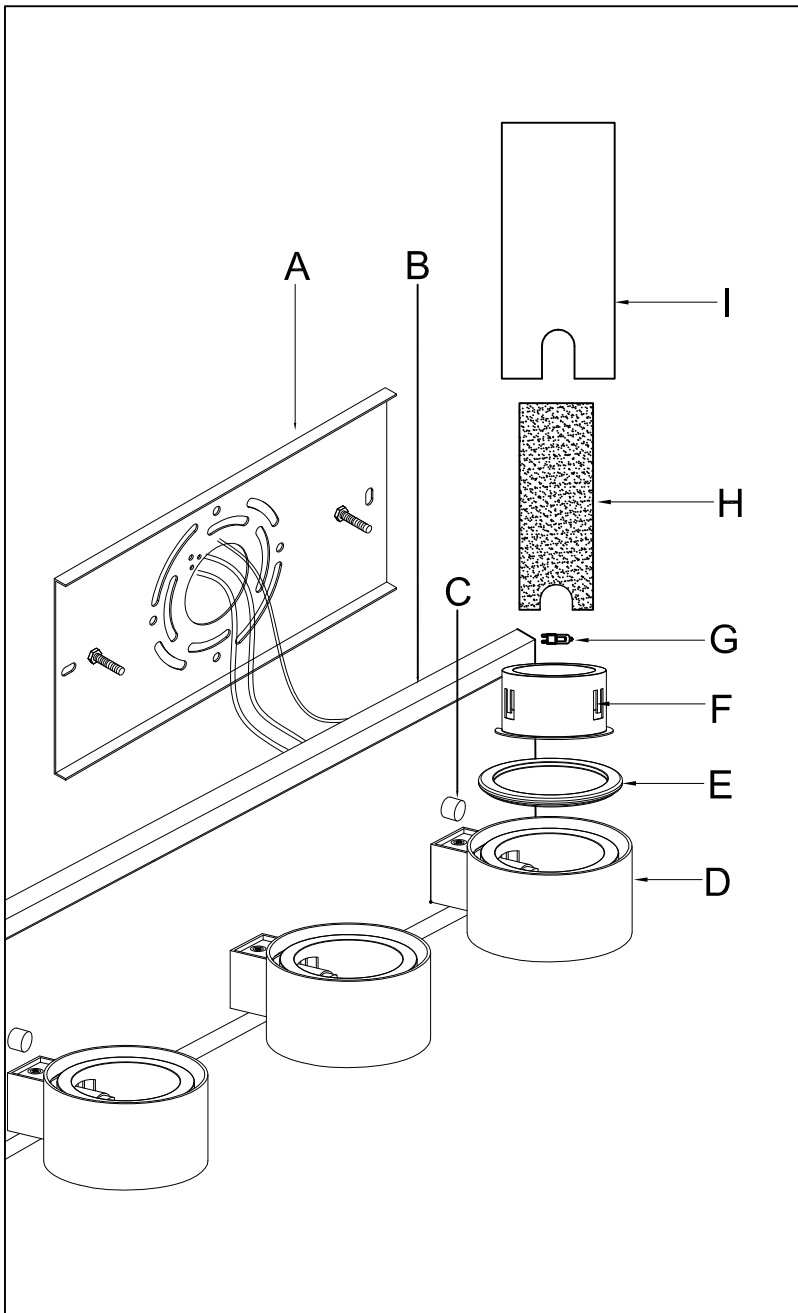


H
Frost Glass

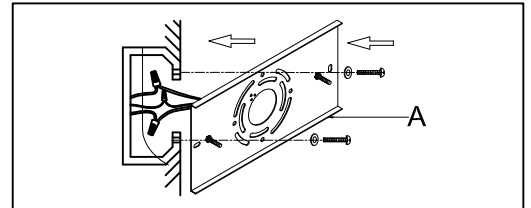


I
Clear Glass

Locate all hardware & components before discarding packaging

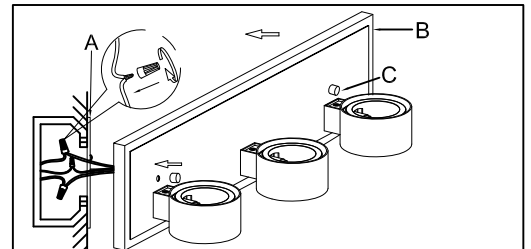


1.)



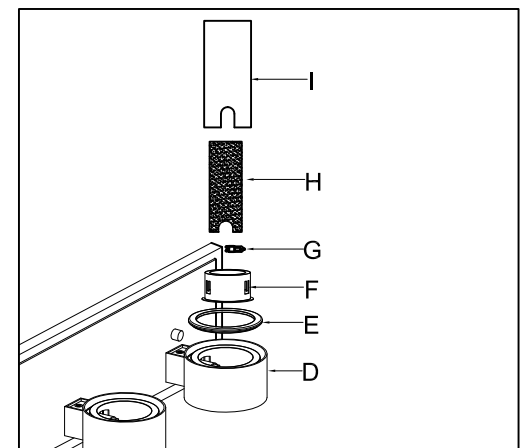
Step.1: Remove mounting bracket (A) from back plate (B) and install to electrical box.

2.)



Step.2: Remove mounting bracket (A) from back plate (B) and install to electrical box.

3.)



Step.3: Put the round glasses (E) into the cups (D). Put the bulbs (G) onto the sockets which inside the cups (D). Attach the inside frost glasses (H) and outside clear glasses (I) to the covers (F), make sure the glasses are stable. Put the whole set glasses (H & I) with the covers (F) into the cups (D).

Cleaning & Care:

You May use talcum powder and a soft cloth for cleaning. Do not use abrasive cleaner