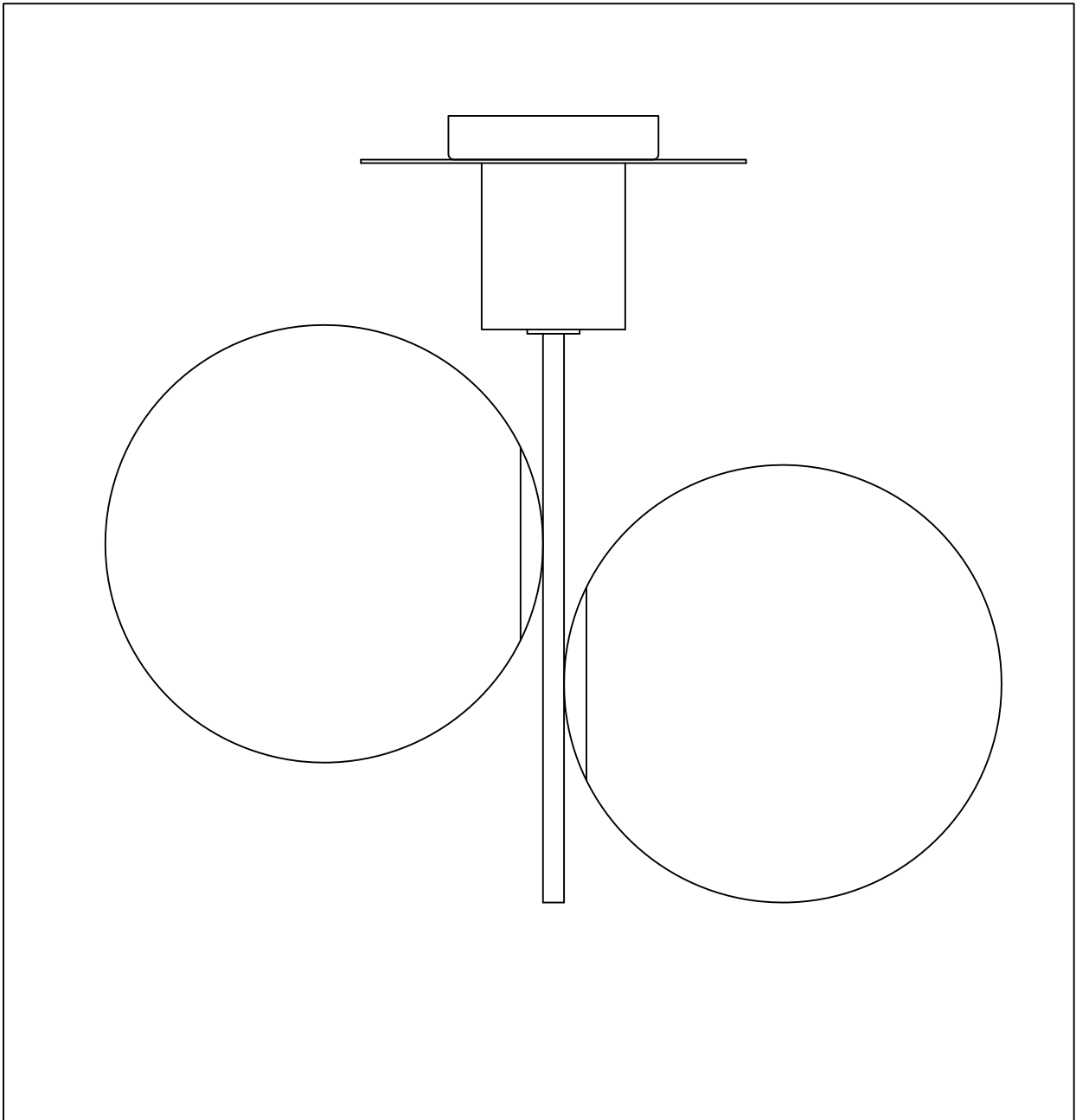




PRODUCT NAME: Vesper
ITEM NUMBER: 26032SWSBRBK

Please consult your electrician for hanging fixture and wiring.

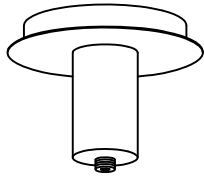


Bulb(Not included): 2 x 60W E26 Medium Base Bulb

IMPORTANT: Turn off the power at the main fuse or circuit breaker box before starting installation



A
Mounting
Bracket



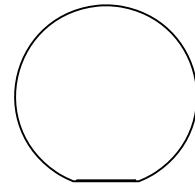
B
Canopy



C
Screws
2PCS

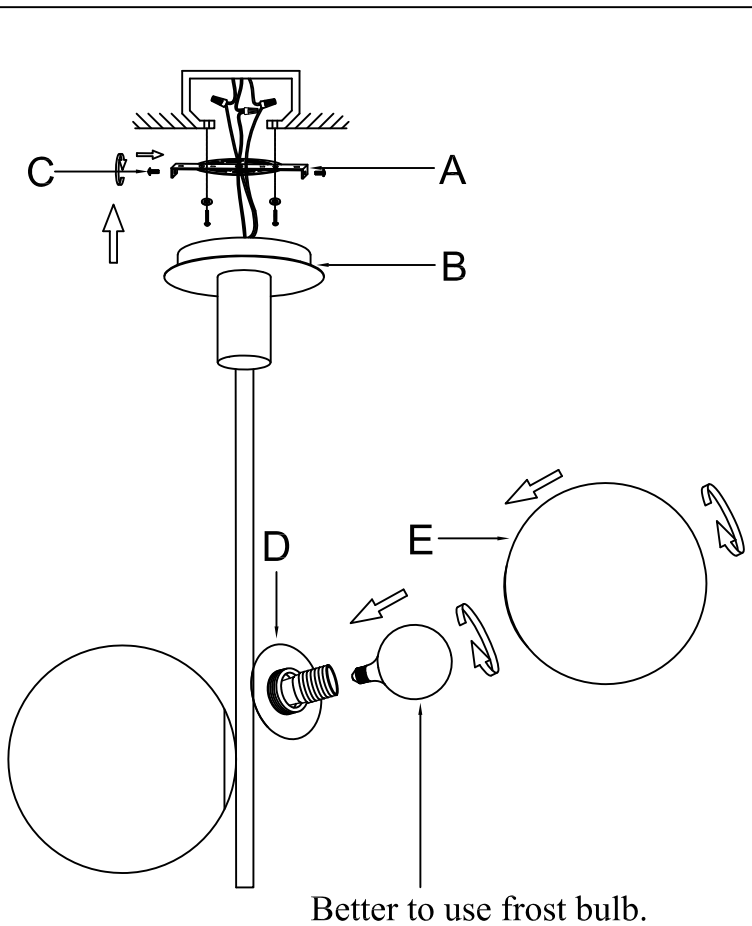


D
Cup

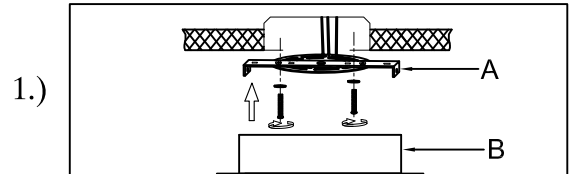


E
Glass 2PCS

Locate all hardware & components before discarding packaging

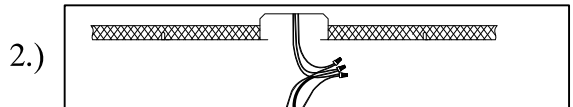


Better to use frost bulb.



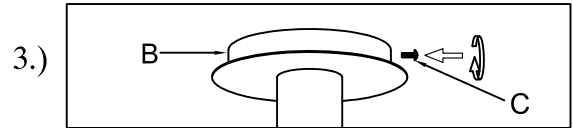
1.)

Step 1: Remove mounting bracket (A) from canopy (B) and install to electrical box.



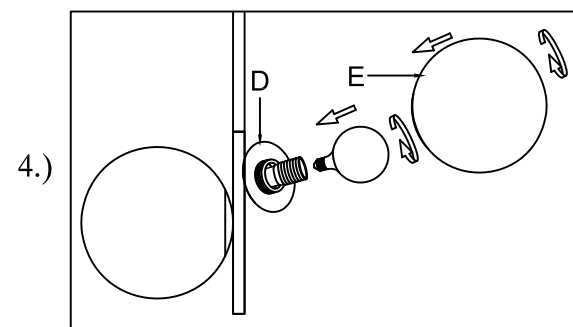
2.)

Step 2: Wire fixture to wires in outlet box. Black wire is positive, white is neutral, bare wire is ground.



3.)

Step 3: Install fixture to bracket (A) and tighten screws (C) at the ends of the canopy (B) to secure.



4.)

Step 4: Install 60 Watts medium base bulb. Then install glass (E) into cup (D).

Cleaning & Care:

Clean with soft cloth and a mild detergent.
Do not use abrasive cleaner.