

INSTALLATION INSTRUCTIONS FOR N6982-613

WARNING! SHUT POWER OFF AT FUSE OR CIRCUIT BREAKER .

AVERTISSEMENT! COUPER LE COURANT AU NIVEAU DES FUSIBLES OU DU DISJONCTEUR.

ASSEMBLING THE FIXTURE (Fig. 1)

1. Carefully remove the fixture from the carton and check that all parts are included as show in figure.
2. Shut off power at the circuit breaker and remove the old fixture including the mounting hardware.

HANG THE FIXTURE (Fig.1)

1. Take the mounting plate (B) assembly and mount to the junction box (A) with screws (C) (size: #8-32 0.5" L.). The side of the mounting plate marked "GND" must face out.
2. Thread canopy (G) and lock ring (H) into chain
3. Attach the chain (Q) to the fixture loop (S) using quick link (R). The quick link (R) must be completely closed when installed. By measuring determine correct number of links needed for proper hanging height. Use a pair of chain pliers to open one end link of the chain, and discard un-wanted chain. Then attach the other end link of the chain to the ceiling loop (F) using the other quick link (P).
4. Feed the wires through the chain and the hole of canopy (G), loop (F) and Nipple (E)

CONNECTING THE WIRES (Fig. 2)

5. Connect the electrical wire as shown in figure 2 , making sure that all wire connectors are secured. If your outlet has a ground wire (green or bare copper), connect the fixtures ground wire to it. Otherwise, connect the ground wire directly to the mounting plate and secure with the wire connectors provided. Tuck the wire connections neatly into the ceiling junction box.

COMPLETING THE INSTALLATION (Fig. 1)

6. Install light bulb (J) (not included) (12 x Max 60W Candelabra) in accordance with the fixture's specifications. **(DO NOT EXCEED THE MAXIMUM WATTAGE RATING!) (NE PAS DEPASSER LA PUISSANCE NOMINALE MAXIMALE!)**
7. Take out the crystals (N), then fit it between lamp body (K) and (M) towards in the same direction, then lock it to (O) tightly with screws provided. Adjust the crystals until it fixed tightly.

Your installation is now complete. Return power to the junction box and test the fixture.

Note: Fixture should be installed by a qualified electrician to ensure proper wiring and installation.

Fig.1

Set-Mounting# A014

-Crossbar (1)

+Green screw (1)

-Mounting screw (2)

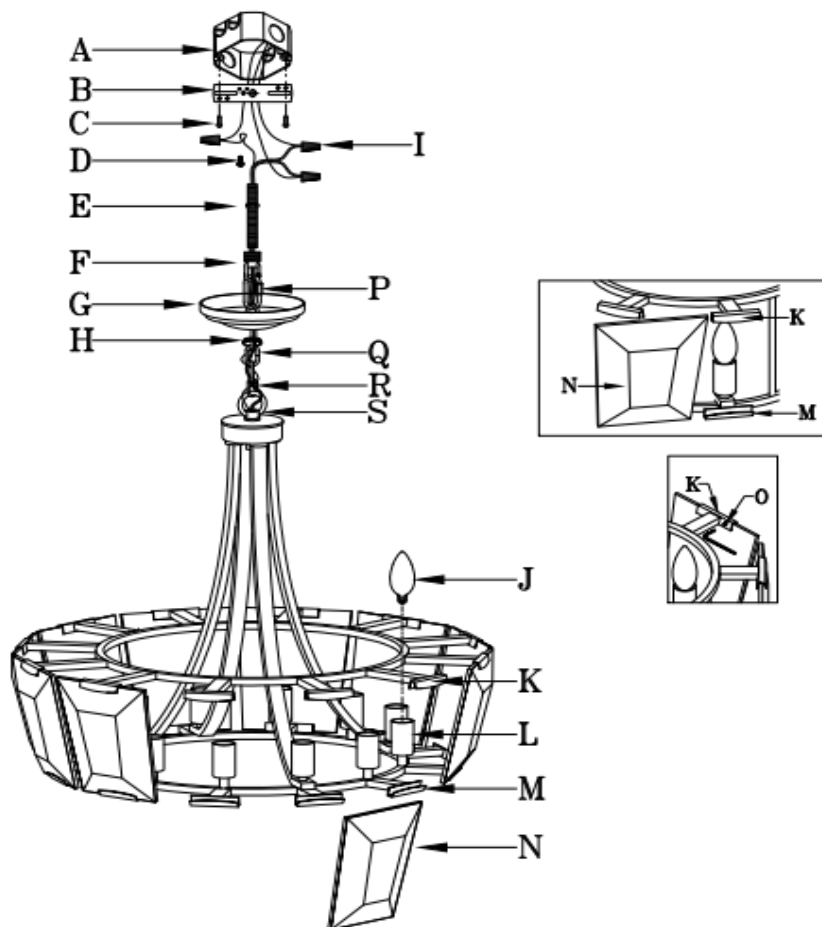
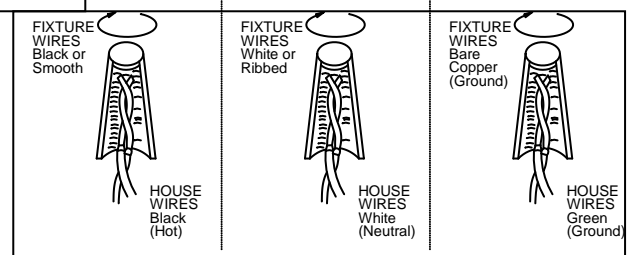


Fig.2



Notice: It is important to use proper chain pliers (not included) To OPEN and CLOSE the chain included with this fixture. Do not open them with other tools that may twist or stress the chain links. It is important to use proper chain pliers like the ones shown in the diagram.

