

INSTALLATION INSTRUCTIONS FOR N6986-613

WARNING! SHUT POWER OFF AT FUSE OR CIRCUIT BREAKER.

AVERTISSEMENT! COUPER LE COURANT AU NIVEAU DES FUSIBLES OU DU DISJONCTEUR.

ASSEMBLING THE FIXTURE (Fig. 1)

- Carefully remove the fixture from the carton and check that all parts are included as show in figure.
- Shut off power at the circuit breaker and remove the old fixture including the mounting hardware.

HANG THE FIXTURE (Fig.1)

- Provide a 1/4 IPS pipe (not included) with one end securely mounted to a beam or a structural member. The other end should protrude through the center of the outlet box as shown in figure1-1.
- Assemble the ceiling loop, nipple, hex nuts and hickey to the center 1/4 IPS support pipe(not included) and adjust the overall length to allow the lock collar to hold the canopy flush to the ceiling. When the adjustments have been completed, secure the three hex nuts, as shown in figure1-1
- Attach the chain to the fixture loop using quick link. The quick link must be completely closed when installed. By measuring determine the correct number of links needed for proper hanging height. Use a pair of chain pliers to open one end link of the chain, and discard un-wanted chain. Pass the wires carefully through each rod as you assemble. Then attach the other end link of the chain to the ceiling loop using the other quick link.
- Lace the fixture wires, ground and safety cable through the chain and loop, exiting through the side of the hickey. Tie off the set screw assembly as shown. Run the cable through the top of the outlet box and secure to a structural member

CONNECTING THE WIRES (Fig. 2)

- Connect the electrical wire as shown in figure 2, making sure that all wire connectors are secured. If your outlet has a ground wire (green or bare copper), connect the fixtures ground wire to it. Otherwise, connect the ground wire directly to the mounting plate and secure with the wire connectors provided. Tuck the wire connections neatly into the ceiling junction box.

COMPLETING THE INSTALLATION (Fig. 1)

- Install light bulb (A) (not included) (16 x Max 60W Candelabra) in accordance with the fixture's specifications. **(DO NOT EXCEED THE MAXIMUM WATTAGE RATING!) (NE PAS DEPASSER LA PUISSANCE NOMINALE MAXIMALE!)**
- Take out the crystals (E), then fit it between lamp body (B) and (D) towards in the same direction, then lock it to (F) tightly with screws provided.

Adjust the crystals until it fixed tightly.

Your installation is now complete. Return power to the junction box and test the fixture.

Note: Fixture should be installed by a qualified electrician to ensure proper wiring and installation.

Fig.1 Set-Mounting# A-014

- Crossbar (1)
- +Green screw (1)
- Mounting screw (2)
- Chain#HCH4072-613

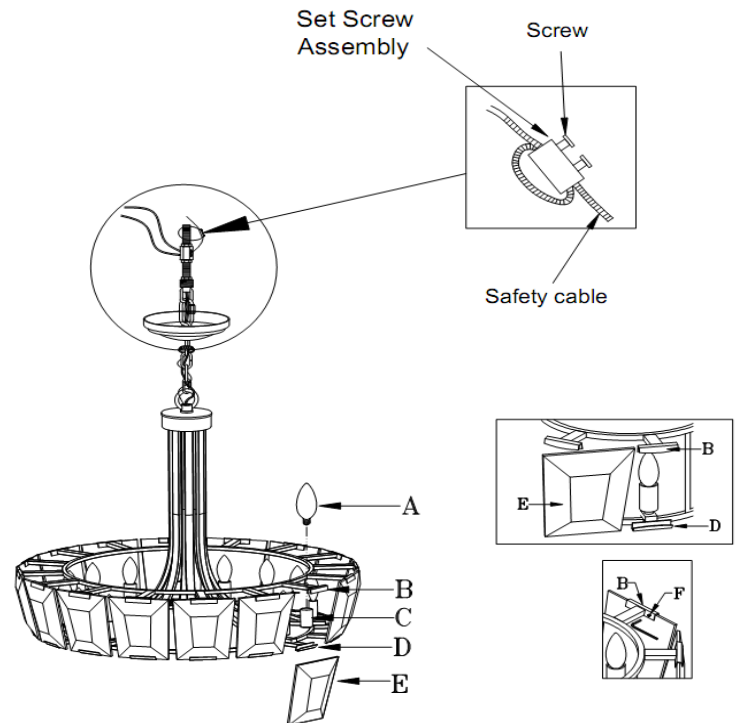


Fig.2

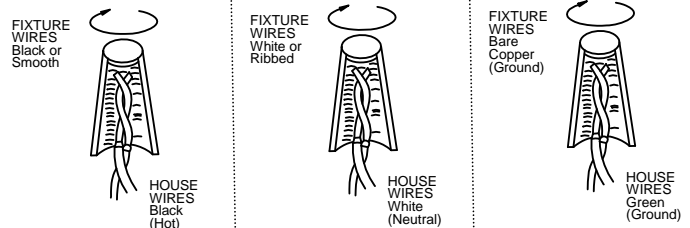
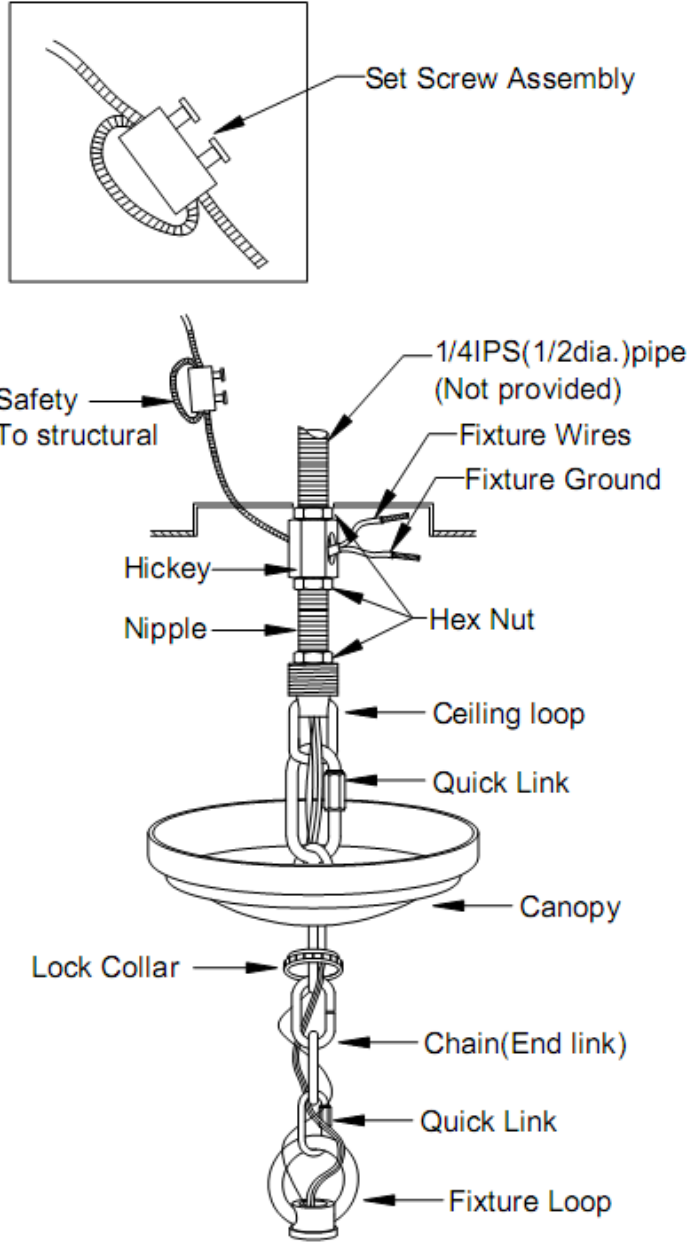


Fig.1-1



Notice: It is important to use proper chain pliers (not included) To OPEN and CLOSE the chain included with this fixture. Do not open them with other tools that may twist or stress the chain links. It is important to use proper chain pliers like the ones shown in the diagram.