

FAUCET DESCRIPTION

- Metal construction with Chrome or Classic Brushed Nickel (CBN) Finish


OPERATION

- Lever style handle with temperature indicator on the escutcheon
- Variable volume control handle is lifted in a 0 to 25° arc
- Temperature operates through an 110° arc of handle rotation (full cold to full hot)
- Adjustable temperature limit stop to control maximum hot water temperature
- Pressure balancing mechanism maintains selected discharge temperature to $\pm 2^{\circ}\text{F}$

CARTRIDGE

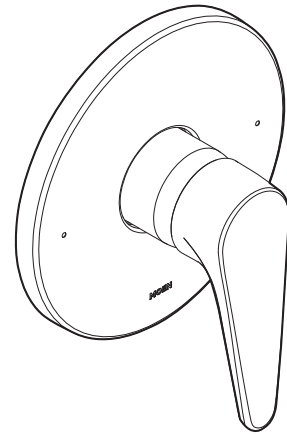
- 1213 Ceramic Disk Volume Control Cartridge
- Non-metallic/non-ferrous and plastic material
- Not compatible with back to back installations

STANDARDS

- Third party certified to ASME A112.18.1/CSA B-125-1, ASSE 1016 and all applicable requirements reference therein
- Moen's M-CORE™ pressure balance system is capable to meet the pressure and temperature variation requirements of ASSE 1016 when tested as low as 1.5 gpm (5.68 L/min)
- ADA  for lever handle

WARRANTY

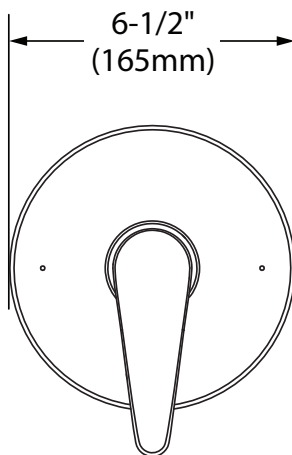
- Warranted for 5 years against material or manufacturing defects



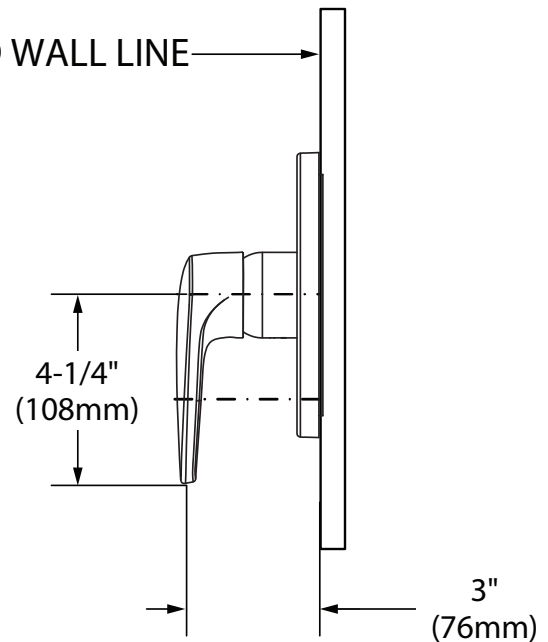
**Single-Handle M-CORE™
3-Series Tub/Shower
Valve Trim Only**

Models: UT8350
UT8350CBN

Valves: U130 Series and U140 Series



FINISHED WALL LINE



CRITICAL DIMENSIONS

(DO NOT SCALE)