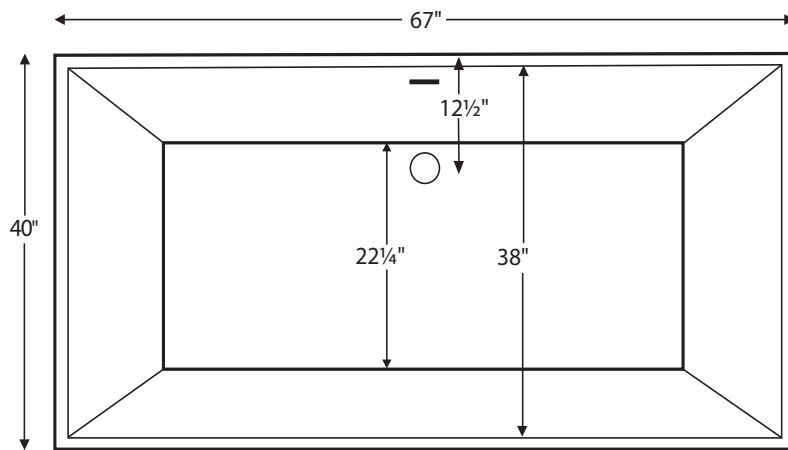




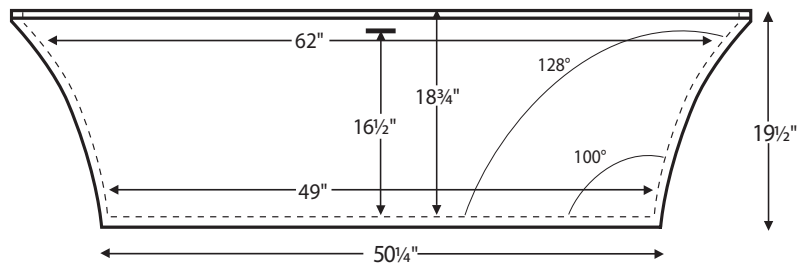
Features an integrated overflow.

### Intarcia Soaker

<b>MODEL 137A</b>
<b>67" x 40" x 19.5"</b>
<b>FREESTANDING</b> 90 gal to overflow
<b>SculptureStone®</b>
200 lbs / 91 kg soaker 230 lbs / 104 kg airbath
May also be undermounted. Must specify on order. Not recommended as a tub / shower combination.  Filling this tub to the maximum may require an above average size or dedicated water heater.



Intarcia #137A is available only as a soaker. To order an air bath see Intarcia with Pedestal #137B or Intarcia with Inverted Pedestal #137C



<b>ELECTRICAL COMPONENTS &amp; SPECIFICATIONS</b>
<b>Hydrotherapy Package</b>
<b>This tub model available as Soaker only</b>
Electrical requirements may change with the addition of optional therapy components. See specific option details or installation information. CSA Certified C/US; ANSI Z124.1 and ANSI 112.19.7

See the Installation & Operation Manual for more details.  
MTI's Customer Service: Monday-Friday 8am-6pm EST  
**800-783-8827** or [service@mtibaths.com](mailto:service@mtibaths.com)

**IMPORTANT ORDERING & INSTALLATION INFORMATION**

- Before ordering or installing, please consider future access to equipment.
- Includes an integrated overflow with toe tap drain in chrome finish. May be specified without an overflow (see local codes before ordering without an overflow).
- Air baths require job site preparation for remote installation of the blower and required check valve. Check valve must be installed higher than the rim of the tub.
- Waterproof remote control included with air bath. Keypad shipped loose may be remote mounted on nearby surface/wall.
- Faucet valves cannot be mounted on this tub model.

• Before discarding tub crate, check for accessories that may be packaged inside.  
• All product measurements are ±1/2".  
• Specifications and configurations are subject to change without notice.  
• Measurements herein supersede all others published prior to publication date below.



For more information on options and accessories go to SculptureStone® Tubs Options on mtibaths.com

**Intarcia Soaker**  
 MODEL #: 137A  
 67" x 40" x 19.5"

Hydrotherapy	Package Contents	Part #	MSRP
Soaker	Soaking bath - no jets. Includes an integrated slotted overflow with a toe-tap drain kit.	S137A	\$9,190

Options <small>Must be ordered at time of purchase</small>
<b>Quick Ship</b> (QSPRI2) <b>\$1,025</b> reduces lead time <i>Please call for availability</i>
<b>Standard Color</b> White, matte finish <b>Biscuit Color Upgrade</b> (SSBI) <b>\$310</b> matte finish <i>Additional material colors available for projects only. Please call MTI.</i>
<b>Hand-Polished Deep Gloss Finish</b> (SSGLOSS3) <b>\$1,230</b> upcharge For white or biscuit
<b>Routed Channel on Tub</b> (RCT) <b>\$555</b>

Accessories
<b>Teak Bath Mat</b> (TKMAT3018) <b>\$815</b> Measures 30" x 17.5" x 1" <i>Custom sizes also available. Contact MTI for details.</i>
<b>Floor-Mounted High-Flow Tub Filler</b> Contemporary Chrome (FILLC) <b>\$1,480</b> Brushed Nickel (FILLBN) <b>\$1,710</b>
<b>SculptureStone® Tub Tray</b> Without Stemware Holder (SSTRAY1) <b>\$340</b> With Stemware Holder (SSTRAY2) <b>\$450</b> <i>Color and finish will come matched with tub</i>
<b>Teak Tub Tray</b> Slatted (TK-TRAY1) <b>\$500</b> Solid (TK-TRAY2) <b>\$570</b> <i>Order with tub for best fit</i>

**Drains & Overflow Kits** Must be ordered at time of purchase

Toe Tap Drain Cover Finishes
PVC drain - Chrome included
<b>+\$50</b> upcharge Br. Nickel (WIOBN), Pol. Nickel (WIOPN)
<b>+\$85</b> upcharge Matte Black (WIOMB)
<b>+\$105</b> upcharge Oil-Rubbed Bronze* (WIOOR)
<b>+\$640</b> upcharge Special Finish* (WIOSF)
<i>Send finish sample to MTI Baths for best match.</i>

Toe Tap SculptureStone® Drain Cover Finishes
Upgrade is in lieu of standard chrome to tap drain cover.
White only
<b>+\$90</b> upcharge Matte Finish (SSWIOMT)
<b>+\$110</b> upcharge Gloss Finish (SSWIOGL)
<b>Brass Tailpiece</b> (WIOBS) <b>\$85</b> in addition to finish charge listed above
<b>Quick Drain Kit</b> (WOQ) <b>\$460</b>

Boutique Accessories
<b>Packaging / Handling Fee Applies</b>
<b>SculptureStone® Bathroom Table</b> (TABLE) <b>\$825</b> matte finish <b>+\$410</b> gloss finish upcharge (SSGLOSSNK) <i>Order with tub for best color match</i>
<b>SculptureStone® Standard Faucet Stand</b> Small - 3-hole capacity 14¼" w x 20½" h Matte (STAND) <b>\$725</b> Large - 5-hole capacity 22" w x 21½" h Matte (STANDL) <b>\$855</b> <b>+\$410</b> gloss finish upcharge (SSGLOSSNK)
<b>SculptureStone® Premium Faucet Stand</b>
<b>15" w x 39" h</b> Matte (SSFSR3915MT) <b>\$2,365</b> Gloss (SSFSR3915GL) <b>\$2,720</b>
<b>10" w x 39" h</b> Matte (SSFSR3910MT) <b>\$2,135</b> Gloss (SSFSR3910GL) <b>\$2,525</b>
<b>20" w x 23" h</b> Matte (SSFSR2320MT) <b>\$1,930</b> Gloss (SSFSR2320GL) <b>\$2,315</b>
<b>15" w x 23" h</b> Matte (SSFSR2315MT) <b>\$1,825</b> Gloss (SSFSR2315GL) <b>\$2,180</b>

\* MTI has selected an oil-rubbed bronze finish that is compatible with Delta and many other manufacturers. To ensure best match, order as a Special Finish and submit a sample.  
 CSA # MTCT-137  
 ©2023 by MTI Baths, Inc. Modification Rights Reserved

\* Allow 2-4 weeks lead time for Special Finishes.  
 Send sample for best match.

