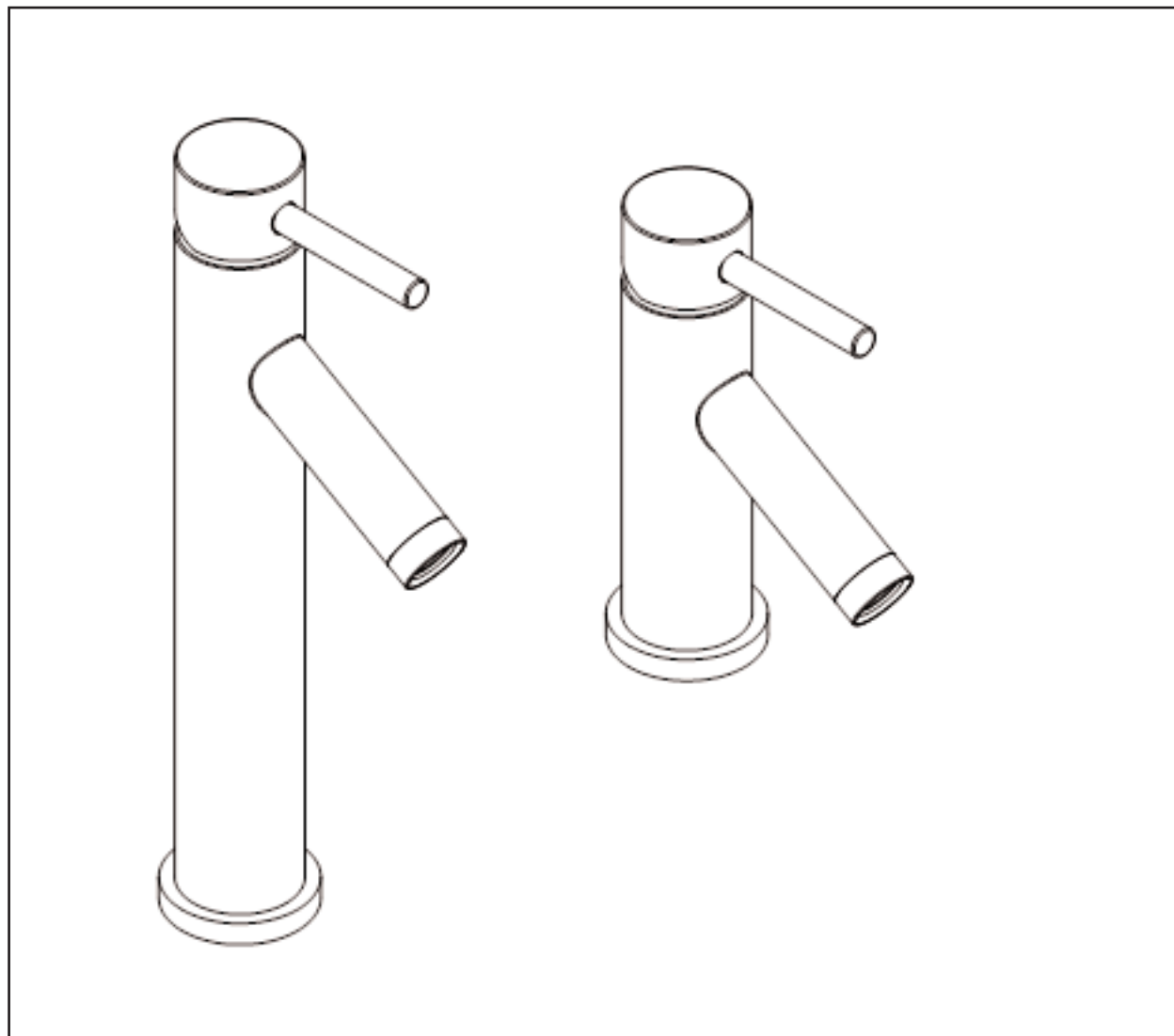


INSTALLATION INSTRUCTIONS
SINGLE HOLE LAVATORY SET
MODEL No's: I503, I508



NEWPORT BRASS
Flawless Beauty. From Faucet to Finish.™

2001 CARNEGIE AVE, SANTA ANA CA 92705

(949) 417-5207

WWW.NEWPORTBRASS.COM

Recommended Installation by a Professional Plumbing Contractor

Note:The use of petroleum base plumbers putty on our products will nullify the warranty. We recommend the use of clear silicone sealing materials.

Recommended deck thru hole Ø 1.350-1.562”

1. Place **SHANK & HOSES** through **MOUNTING SURFACE**. Secure spout into place with **MOUNTING KIT**. See Fig. 1
2. Attach hot/cold spout supply hoses to appropriate supply lines and valves in the wall. See Fig. 2
3. Drain assembly not included with I203-1. Remove **FLANGE, RUBBER WASHER, STEEL WASHER**, and discard drain **CAP COVER** from drain assembly. Place **RUBBER WASHER** into **FLANGE**. Then, place **FLANGE** through the sink hole (Clear silicone may be used in place of **RUBBER WASHER**). From underside of sink, install **CONE WASHER, STEEL WASHER**, and **LOCK NUT** into **FLANGE**. Thread **LOCK NUT** firmly. Thread **TAILPIPE** to **FLANGE** assembly and assemble **TAILPIPE** to existing PTrap. See Figure 3.
4. Remove aerator from spout using key supplied. Turn on water supply, and flush system until water is clear. Check for leaks and make any final adjustments required. Re-attach aerator to the spout.

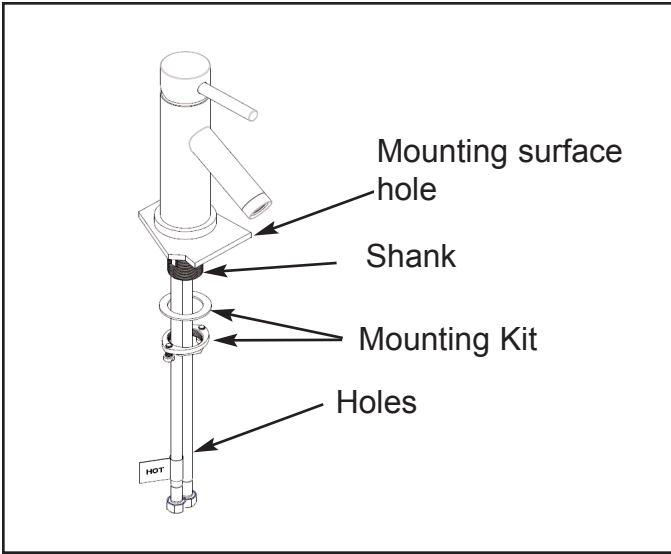


Figure 1

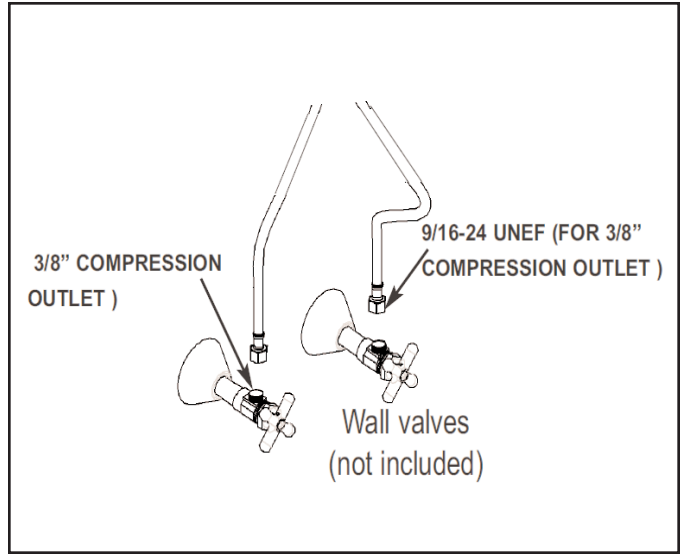


Figure 2

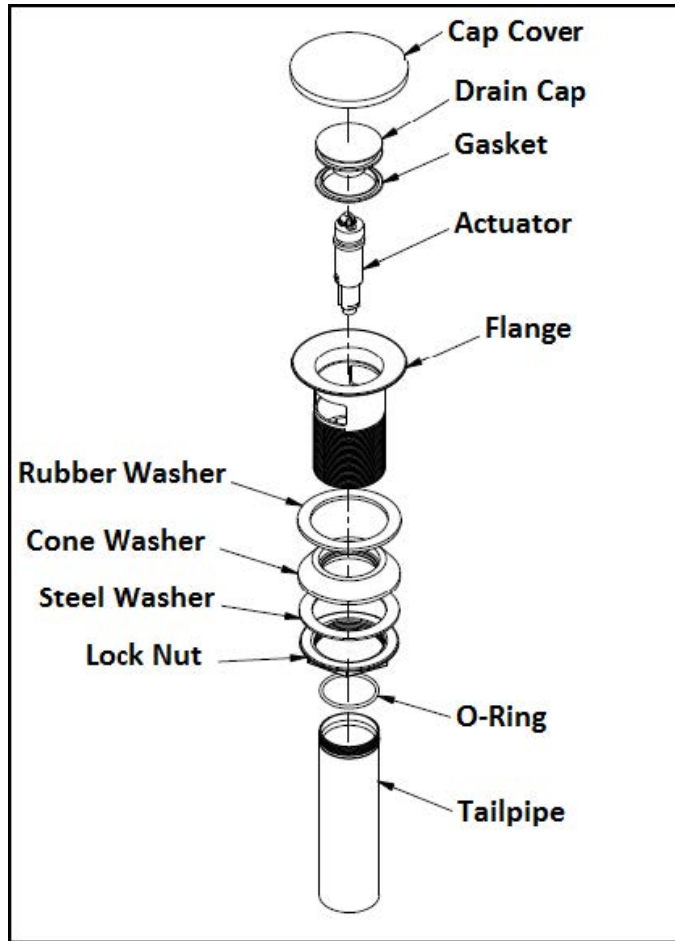


Figure 3