
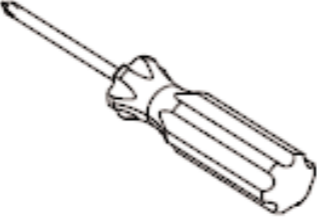

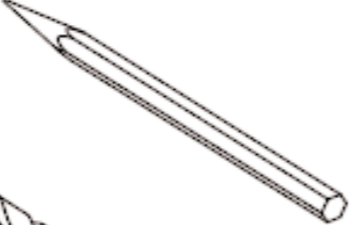

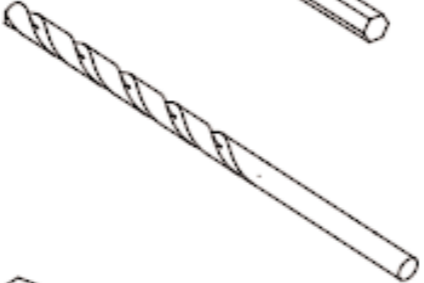
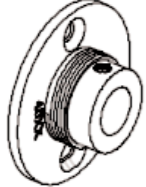
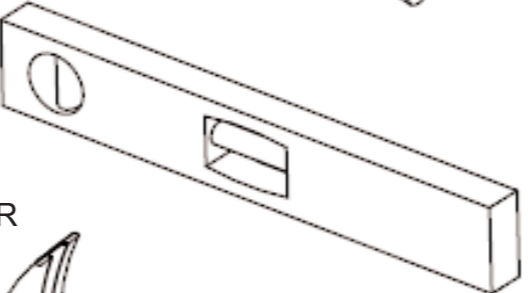

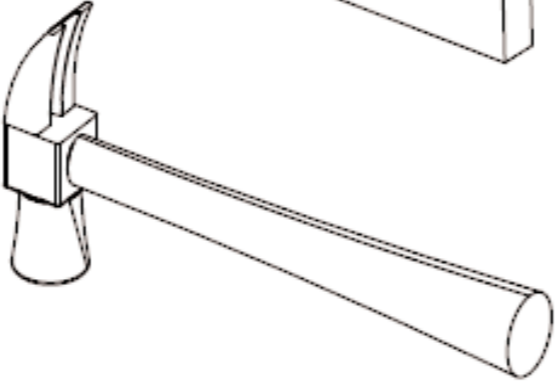
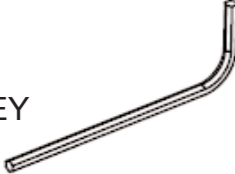
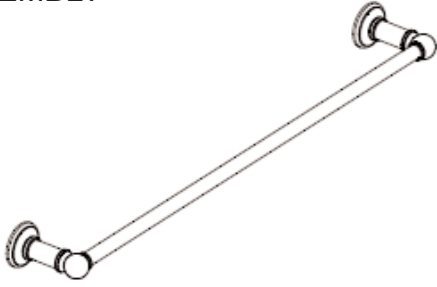


ITEMS INCLUDED		TOOLS REQUIRED	
DRY WALL ANCHOR	 X 4	PHILLIPS SCREW DRIVER	
TILE ANCHOR	 X 4	PEN / PENCIL	
#8 SCREW	 X 4	1/4" (6 mm) DRILL	
MOUNTING FLANGE	 X 2	LEVEL SET	
M5X5 SET SCREW	 X 2	HAMMER	
2.5 MM HEX KEY	 X 1		
TOWEL BAR ASSEMBLY	 X 1		

# ITHACA

## INSTALLATION INSTRUCTIONS

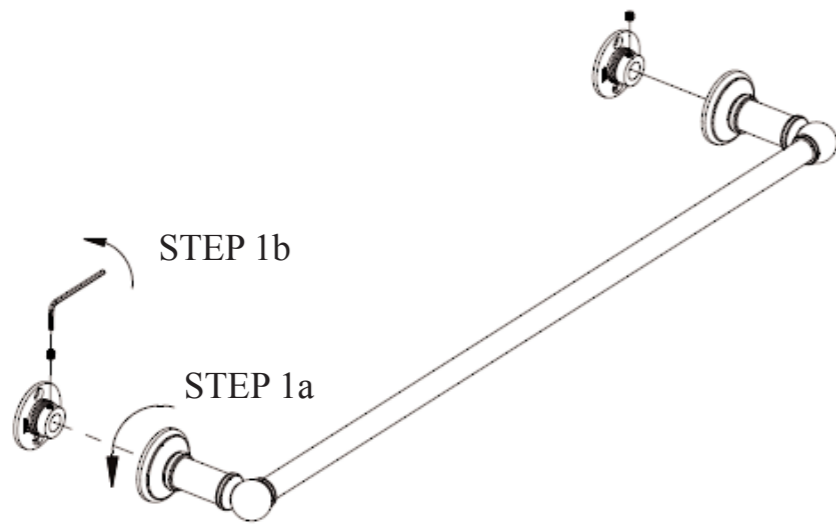
38-02

### 24" TOWEL BAR ASSEMBLY

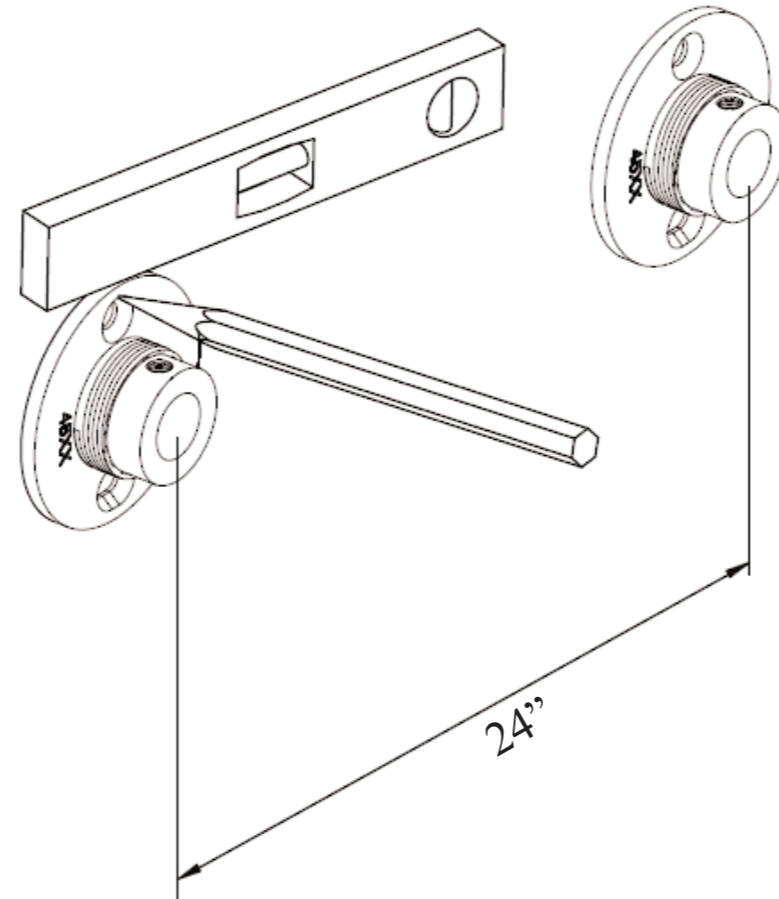
**NEWPORT BRASS**  
 Flawless Beauty. From Faucet to Finish.™

2001 CARNEGIE AVE, SANTA ANA CA 92705  
 (949) 417-5207  
 WWW.NEWPORTBRASS.COM

① REMOVE MOUNTING FLANGES



② ALIGN MOUNTING FLANGES AND MARK LOCATION



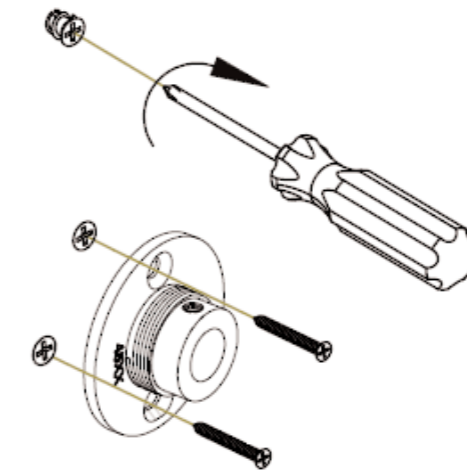
③ DRY WALL INSTALLATION

DO NOT DRILL



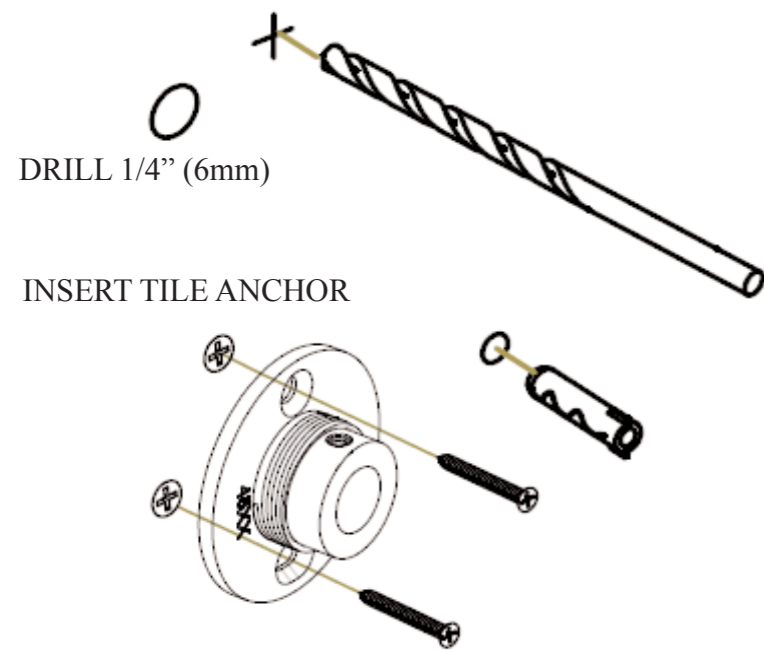
USE MARKS  
MADE IN STEP 2

TAP IN UNTIL  
THREADS ARE  
REACHED

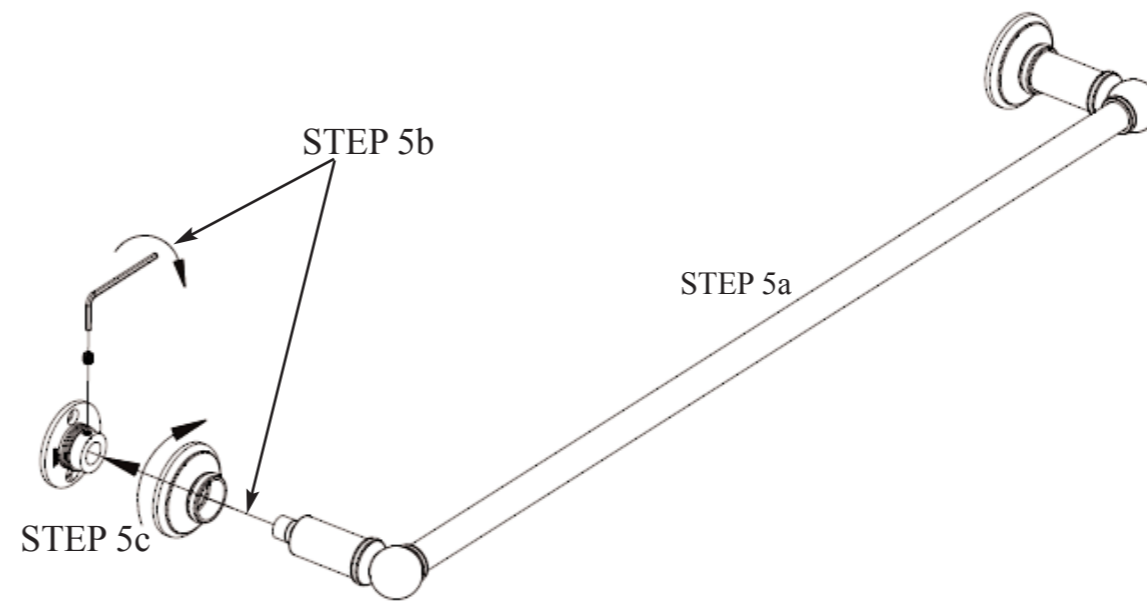


④ TILE OR SOLID WALL INSTALLATION

USE MARKS MADE IN STEP 2



⑤ INSTALL PRODUCT ONTO FLANGES



SECURE WITH SET SCREW