

Toilet Tissue Holder
36-28

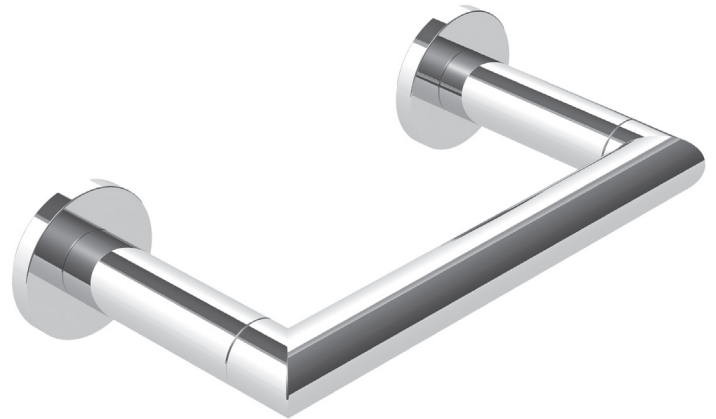
Features

- Solid brass construction
- Double-post design with pivoting roller
- Complements Keaton product series

Codes / Standards Compliance

Meets or exceeds the following at date of manufacture:

- All applicable US Federal and State material regulations



Colors / Finishes

- 10B: Oil Rubbed Bronze
- 15: Polished Nickel
- 15S: Satin Nickel - PVD
- 26: Polished Chrome
- Other: Refer to the Newport Brass catalog for additional color/finish options.

Specified Model

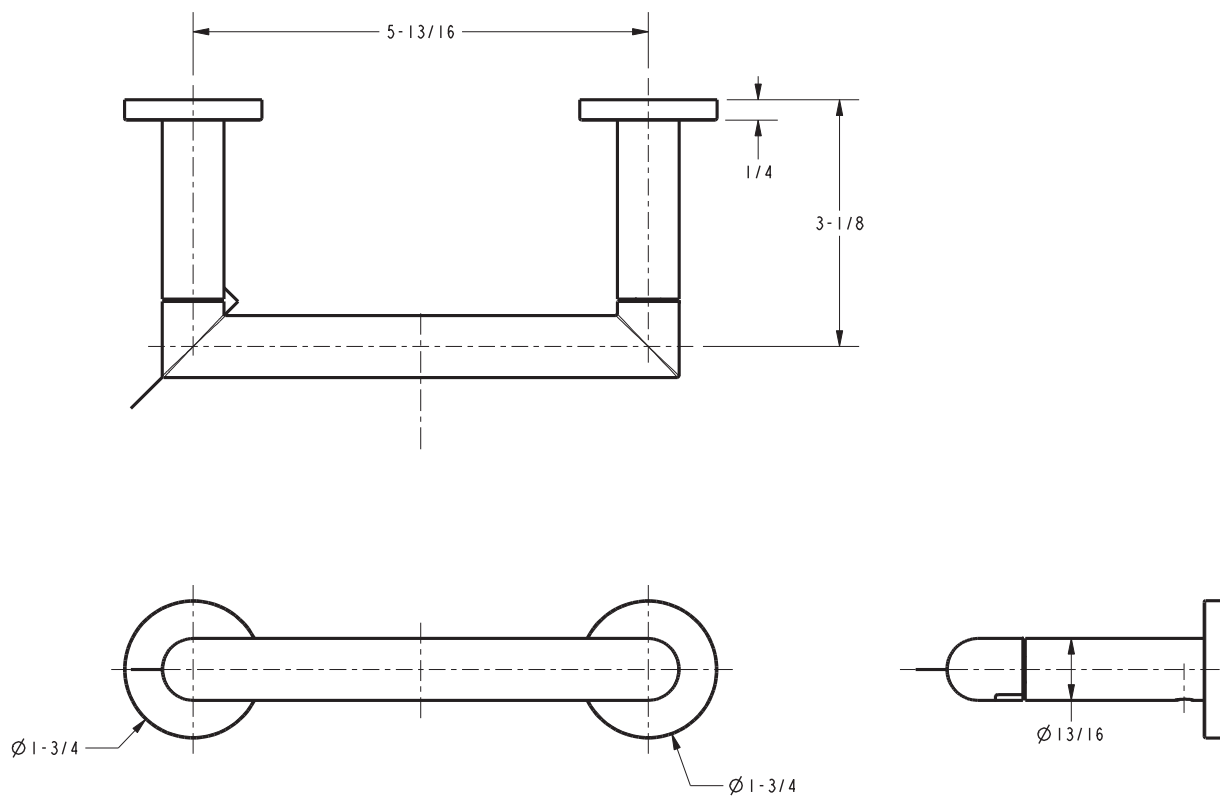
Model	Description	Colors Finishes
36-28	Toilet Tissue Holder	<input type="checkbox"/> 10B <input type="checkbox"/> 15 <input type="checkbox"/> 15S <input type="checkbox"/> 26 <input type="checkbox"/> Other

Product Specification: Add "Color / Finish" suffix to Model number, below.

The Toilet Tissue Holder shall be made of solid brass construction and incorporate a double-post design utilizing a pivoting roller. Toilet Tissue Holder shall complement Newport Brass Keaton product series. Toilet Tissue Holder shall be Newport Brass Model 36-28/_____.

36-28

PRODUCT DIMENSIONS *(Units are in inches)*



Keaton Toilet Tissue Holder
36-28