

Installation Instructions

Sapphire II Retrofit Series

READ PRIOR TO ATTEMPTING INSTALLATION
ALWAYS TURN OFF MAIN POWER BEFORE INSTALLATION
INSTALLATION SHOULD BE CARRIED OUT BY YOUR LOCAL ELECTRICIAN

⚠ WARNING - Risk of fire or electric shock. LED Retrofit Kit installation requires knowledge of luminaire electrical systems. If not qualified, do not attempt installation. Contact a qualified electrician.

⚠ WARNING - Risk of fire or electric shock. Install this kit only in luminaires that have the construction features and dimensions shown in the photographs and / or drawings and where the input rating of the retrofit kit does not exceed the input rating of the luminaire.

⚠ WARNING - To prevent wiring damage or abrasion, do not expose wiring to edges of sheet metal or other sharp objects.

⚠ WARNING - Only those open holes indicated in the photographs and / or drawings maybe made or altered as a result of kit installation. Do not leave other open holes in an enclosure of wiring or electrical components.

⚠ WARNING - This equipment is intended to be installed only by qualified personnel. The installation must be made in accordance with the current edition to the National Electric Code and all applicable state and local building codes. The final installation must be approved by the appropriate qualified electrical/building inspector(s). Improper installation may result in a fire or electrical hazard. Be sure the electrical power to the circuit has been disconnected before installing this electrical system.

⚠ AVERTISSEMENT - Risque d'incendie ou d'électrocution. L'installation du kit LED Retrofit requiert la connaissance des systèmes électriques des luminaires. Si vous n'êtes pas qualifié, ne tentez pas l'installation. Contactez un électricien qualifié.

⚠ AVERTISSEMENT - Risque d'incendie ou de choc électrique. N'installez ce kit que dans des luminaires ayant les caractéristiques de construction et les dimensions indiquées sur les photographies et / ou les dessins et dont la valeur d'entrée du kit de conversion ne dépasse pas la puissance nominale du luminaire.

⚠ AVERTISSEMENT - Pour éviter d'endommager le câblage ou l'abrasion, n'exposez pas le câblage aux bords de la tôle ou d'autres objets pointus.

⚠ AVERTISSEMENT - Seuls les trous ouverts indiqués sur les photographies et / ou les dessins peuvent être réalisés ou modifiés à la suite de l'installation du kit. Ne laissez pas d'autres trous ouverts dans une enceinte de câblage ou de composants électriques.

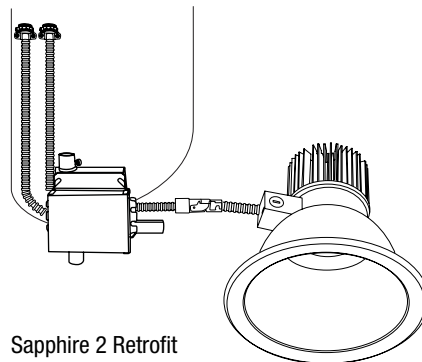
⚠ AVERTISSEMENT - Cet équipement est destiné à être installé uniquement par du personnel qualifié. L'installation doit être faite en conformité avec l'édition actuelle du Code national de l'électricité et toutes étatiques et locales codes du bâtiment applicables. L'installation finale doit être approuvée par l'inspecteur en électricité / bâtiment qualifié approprié(s). Une mauvaise installation peut entraîner un incendie ou un risque électrique. Soyez sûr de la puissance électrique vers le circuit a été coupée avant l'installation de ce système électrique.

THIS RETROFIT KIT IS ACCEPTED AS A COMPONENT OF A LUMINAIRE WHERE THE SUITABILITY OF THE COMBINATION SHALL BE DETERMINED BY AUTHORITIES HAVING JURISDICTION.

CE KIT DE RETROFIT EST ACCEPTÉ COMME COMPOSANT D'UN LUMINAIRE OÙ L'ADÉQUATION DE LA COMBINAISON EST DÉTERMINÉE PAR LES AUTORITÉS COMPÉTENTES.



PACKAGING CONTENTS



Sapphire 2 Retrofit



ELECTRICAL RATINGS

Refer to correlation label of luminaire and /or specification sheet in Nora's website.
www.noralighting.com

Tested Compatible Housings:

Nora: NCH-6, NCHR-6, NAH-6, NCH-8, NCHR-8, NAH-8

Lightolier: Lytecaster 1100 Series

Lithonia: LP6N, LP6HN, LP6FN, LF6N, LP8N, LP8HN, LP8FN, LF8N

Halo (Cooper): PD6 Series, PD8 Series

Juno: N6 Series, N8 Series

Installation Instructions

Sapphire II Retrofit Series

READ PRIOR TO ATTEMPTING INSTALLATION
ALWAYS TURN OFF MAIN POWER BEFORE INSTALLATION
INSTALLATION SHOULD BE CARRIED OUT BY YOUR LOCAL ELECTRICIAN

For Compact Fluorescent Housings and Incandescent Housings:

1. Turn off power on existing fixture.
2. Remove existing reflector / trim and lamp. (See Figure 1) (Leave ballast on junction box if the housing is provided)
3. Locate junction box, open junction box cover and disconnect supply wires. Disconnect connections to insulation detector if any but DO NOT REMOVE it. Cap off any unused input wires.
4. Remove conduit from the junction box. Reuse the opening if the opening diameter is 7/8" and remove another 7/8" diameter knockout from the junction box. If the knockout is 3/4", place cap with knockout plug, remove another 7/8" diameter knockout from the junction box.
5. Place retrofit driver assembly through ceiling / housing opening. Conduit on the output of Driver Assembly that connects to LED housing should be left hanging from opening. (See Figure 2)
6. Secure aircraft cable on the driver junction box to the housing. (See Figure 3)
7. Leave flexible conduits from retrofit driver assembly hanging down out of ceiling / housing opening.
8. Feed Supply wire conduit and 0-10V dimming conduits from driver assembly into knockouts in Junction Box from step 4, which will snap in. (Figure 4)
9. Reconnect supply wires in junction box to leads from retrofit driver assembly: black wire to line, white wire to neutral, green wire to ground and any dimming leads as necessary. (See Figure 5)
10. Use J-box cover from step 3 and close J-box.
11. Connect output of LED driver assembly to the retrofit housing. Push up the fixture until it is flushed to the ceiling. (See Figure 6)
12. Once assembly is complete, turn on the power to confirm if fixture is working properly.

