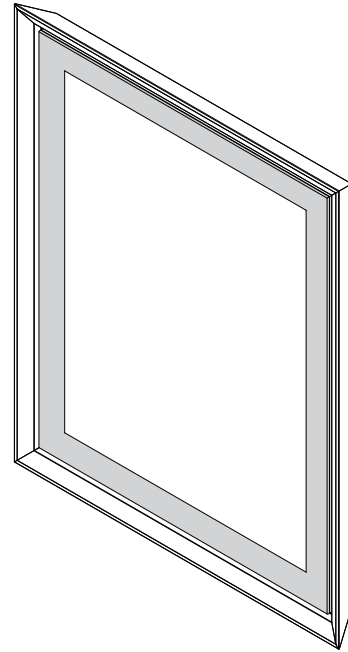


Features

- **Chamfer Museum Frame:** the angled design adds dimension for a unique look that pairs well with transitional and traditional environments
- Match fixtures with metal frame finishes: Matte Gold, Matte Black, Chrome, and Polished Nickel
- Defogging technology ensures a clear reflection using a standard wall switch
- Dimmable LED task lighting to 1%
- Energy efficient LEDs with an estimated life of 53,000 hours
- LED lighting: (measurements may vary)

Kelvin	2700
CRI	90+
Lumens (Approx)	1270
R9 Value	50+
Lux* (Approx)	490
Foot-candles* (Approx)	45

* Measured at 18" from center of the mirror



Construction

- Durable rust-free anodized aluminum and glass construction
- Plated chrome and polished nickel finishes, and anodized matte gold and matte black finish options are easy to maintain and won't chip, peel, or fade
- Constructed to operate in high humidity or damp spaces
- Quality polished edge mirror
- Salt Spray Tested - ASTM Standard
- Power cords installed for easy plugin installation
- Constructed for surface mounting

Codes/Standards Applicable

Sculpt Mirror is UL certified to:

- UL 962
- CSA-C22.2, No. 250.4

Dimensions

Height: 33" (838 mm)
 Width: 27" (686 mm)
 Depth: 2-5/16" (58 mm)
 Net Weight: 28 - 40 lbs
 Other sizes available

Model Number Key

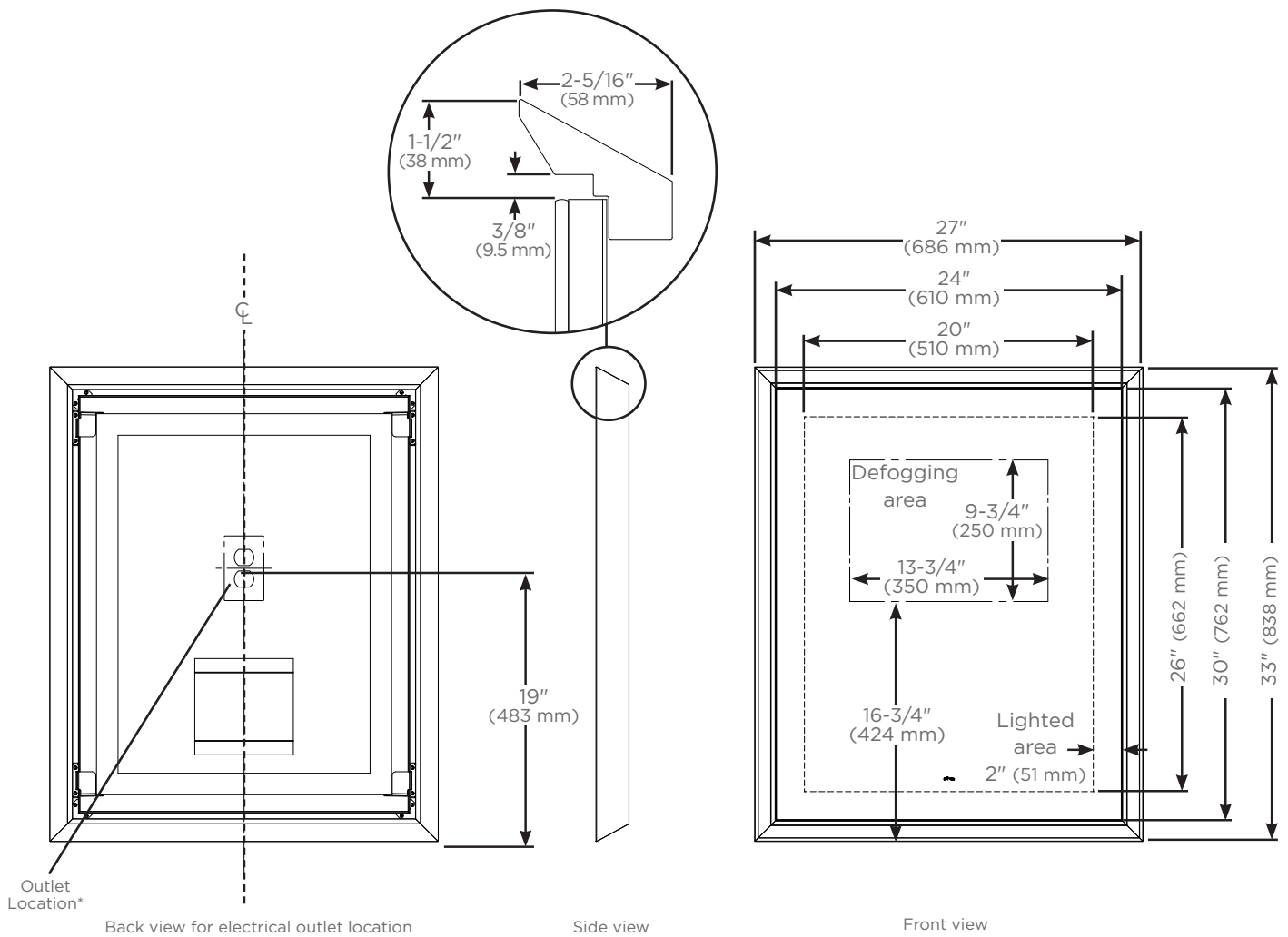
Mirror	Width	Height	Shape	Light Pattern	Style	Defogger	Color Temp	Options
YM	27	33	R = Rectangle	P = Perimeter	CM = Chamfer Museum	D = Defogger	3 = 2700 Kelvin	76 = Chrome 77 = Polished Nickel 82 = Matte Gold 83 = Matte Black

Installation

- 120 Vac 60Hz wall outlet location as shown in drawing - Required for source power
- Electrical wiring using standard residential dimmers and switches (not included)
- Compatible with most Triac/Phase-cut dimmers
- Dimmer recommendation: Lutron C.L Dimmers or Caseta Wireless (purchased separately)
- Mirror hangs in portrait orientation
- Includes hardware with easy installation via Plug and Hang System

Options

- Mirror Style: Title 24 Rectangle Perimeter
- Frame Styles: Slim Museum, Chamfer Museum
- Metal Frame Finishes: Chrome, Polished Nickel, Matte Gold, and Matte Black
- Custom versions available (minimum order quantity required)
- Commercial 0-10V wiring protocols are available for custom quote



* See instructions 209-1308 for wiring and location

For additional information contact customerservice@robern.com