

INSTALLATION INSTRUCTIONS

Model #71174

READ AND SAVE THESE INSTRUCTIONS

WARNING! SHUT POWER OFF AT FUSE OR CIRCUIT BREAKER.

1. Shut off power at the circuit breaker and remove old fixture including mounting hardware.
2. Carefully unpack your new fixture and lay out all the parts in a clear area. Take care not to misplace any small parts necessary for installation.
3. Unscrew the cap nut (F).
4. Pull black and white wires out of electrical outlet box (A).
5. Attach single bar (B) using Outlet Box Screws (D) to the outlet box (A). The side of the single bar marked "GND" must face out (Fig 1).
6. Connect the electrical wires as shown in Fig.2. Making sure that all wire connectors are secured. If your outlet box has a ground wire (green or bare copper), connect the fixture's Ground wire to it. Otherwise, connect the fixture's Ground wire directly to the cross bar using the Green Screw (C) provided.
7. Place the cage (G) into the nipple (E) and secure it tightly against the wall using cap nut (F). (Fig 1)
8. Install the light bulbs in accordance with the fixture specification.—**DO NOT EXCEED THE MAXIMUM WATTAGE RATING!**

Your installation is now complete. Return power to the outlet box and test the fixture.

"CAUTION-RISK OF FIRE, CONSULT A QUALIFIED ELECTRICIAN TO ENSURE CORRECT BRANCH CIRCUIT CONDUCTOR"

Fig. 1

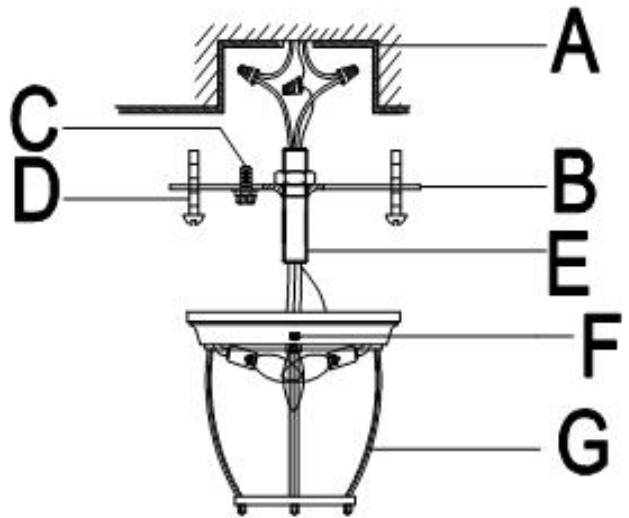


Fig.2

