

ASSEMBLY INSTRUCTIONS

Alpine Medium Chandelier

Item # ARN 5310

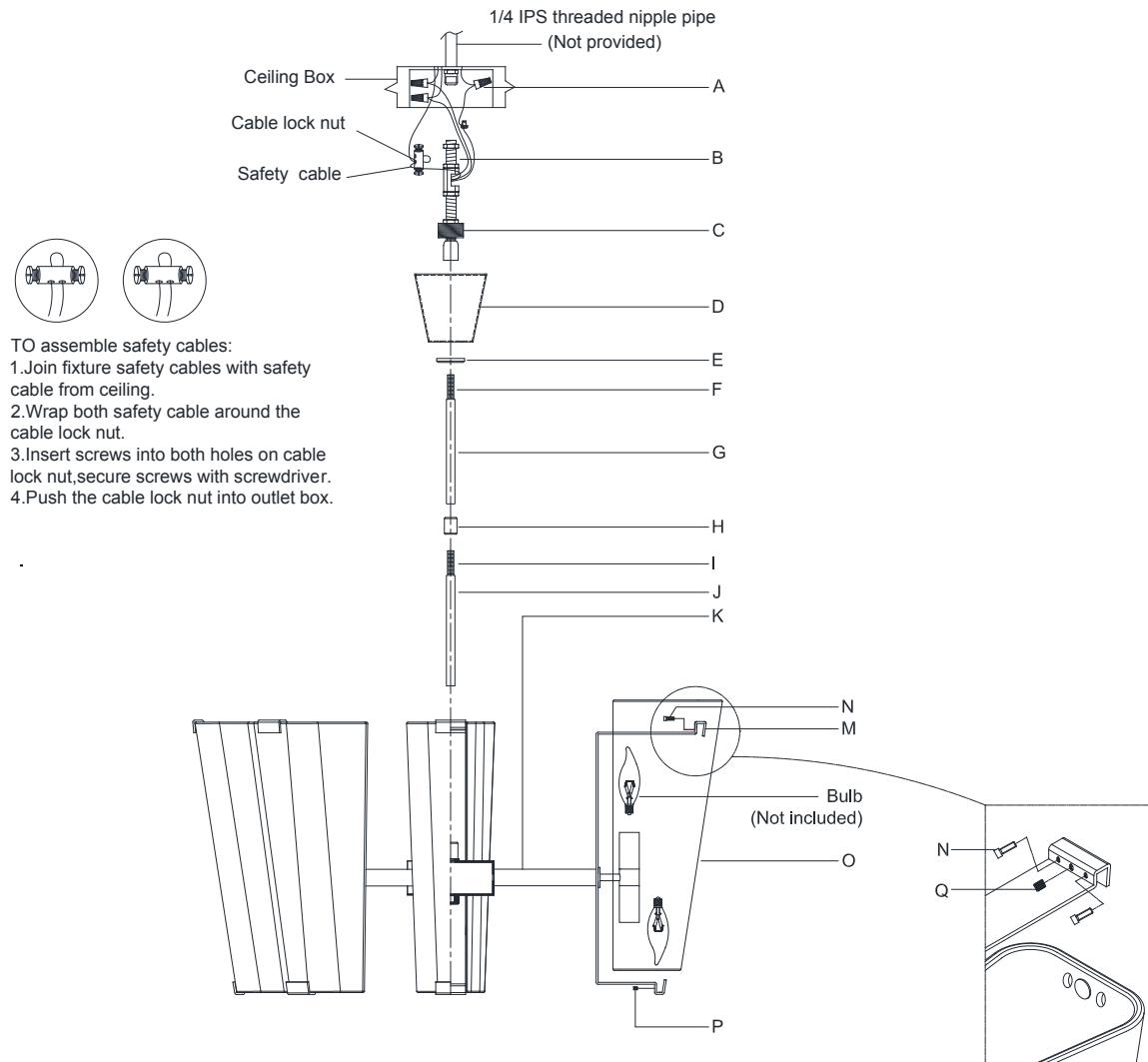
WE RECOMMEND INSTALLATION OF THIS LIGHTING FIXTURE BE DONE BY A LICENSED ELECTRICIAN.

WARNING*SWITCH OFF THE MAIN ELECTRICAL SUPPLY FROM THE MAIN FUSE BOX/CIRCUIT BREAKER BEFORE INSTALLATION.**

INSPECT ITEM CAREFULLY BEFORE ATTEMPTING TO INSTALL. IF THERE IS ANY DAMAGE OR OBVIOUS DEFECT. DO NOT INSTALL.

ITEM MAY NOT BE RETURNED ONCE IT HAS BEEN INSTALLED.

NOTE: CAREFULLY UNPACK EACH PIECE IN TOP LAYER OF PACKING PRIOR TO REMOVING. RETAIN ALL PACKING MATERIAL UNTIL INSPECTION AND INSTALLATION ARE FINAL.



- TO assemble safety cables:
1. Join fixture safety cables with safety cable from ceiling.
 2. Wrap both safety cable around the cable lock nut.
 3. Insert screws into both holes on cable lock nut, secure screws with screwdriver.
 4. Push the cable lock nut into outlet box.

1. Carefully remove all parts from the box.
2. Thread the nipple tube (I) to the center of fixture body (K), then let the tube (J) pass through the nipple tube (I) and secure with connector (H).
3. Let the lock collar (E) and canopy (D) pass through the tube (J).
4. Thread the nipple tube (F) to the connector (H), then let the tube (G) pass through the nipple tube (F) and secure with ceiling loop (C).
5. A 1/4" threaded nipple must be installed in your outlet box. Then install the threaded nipple (B) into the outlet box.
6. Connect the fixture Ground (bare) wire with the ground wire from the outlet box using wire nut (A). If your house does not have ground wire, then attach this wire to the green grounding screw inside of the outlet box.
IT IS IMPERATIVE THAT THIS FIXTURE BE GROUNDED.
7. Connect the fixture Neutral (ribbed, no markings) wire with the neutral wire from the outlet box using wire nut (A).
8. Connect the fixture Hot (smooth edge, markings) wire with the hot wire from the outlet box using wire nut (A).
DO NOT REVERSE THE HOT AND NEUTRAL CONNECTIONS OR SAFETY WILL BE COMPROMISED.
9. Tuck these wire connections neatly into the outlet box to secure.
10. Put canopy (D) to ceiling loop (C) and secure with lock collar (E).
11. Insert bulbs (not included) into the sockets.



ASSEMBLY INSTRUCTIONS

Alpine Medium Chandelier

Item # ARN 5310

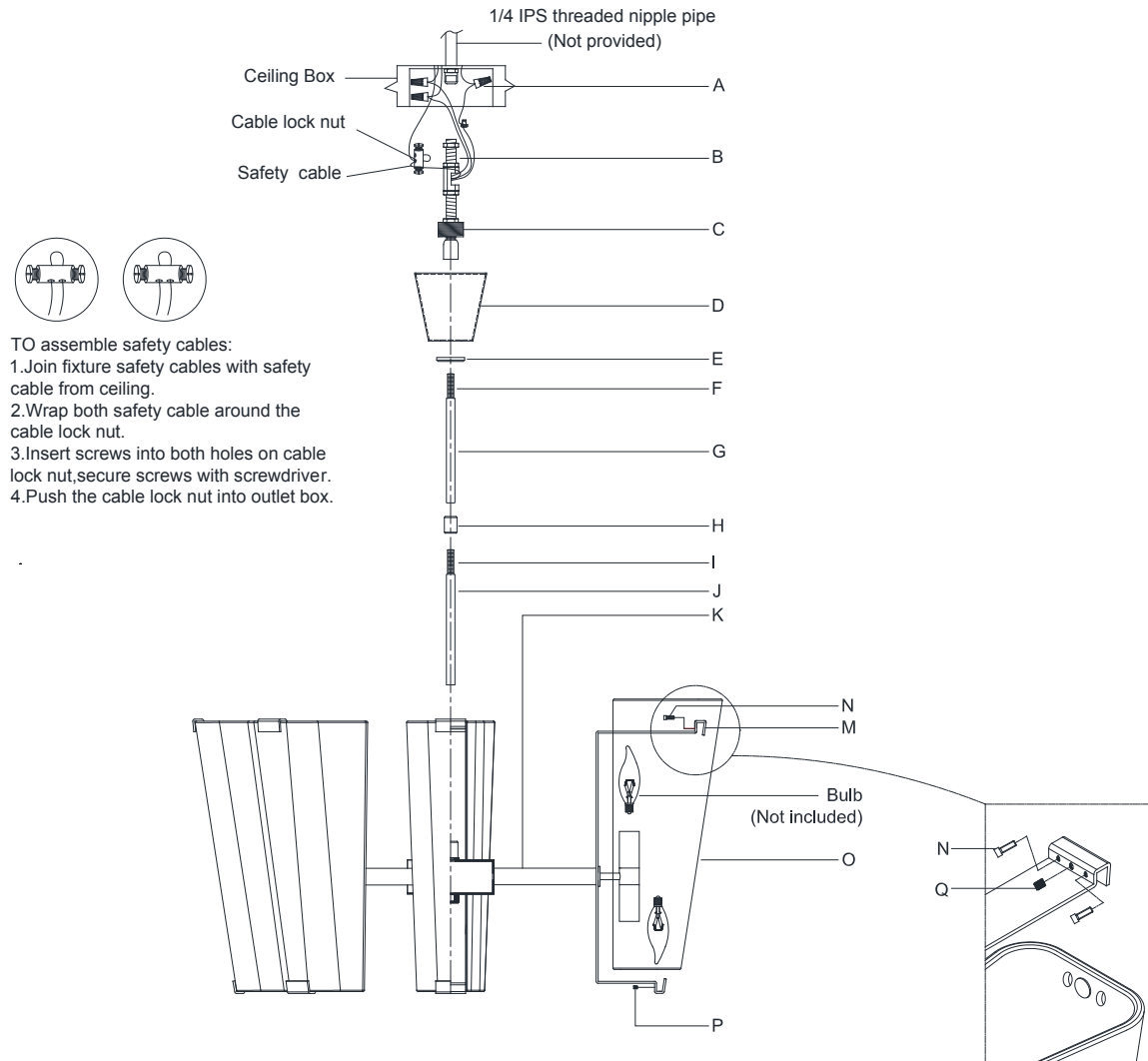
WE RECOMMEND INSTALLATION OF THIS LIGHTING FIXTURE BE DONE BY A LICENSED ELECTRICIAN.

WARNING*SWITCH OFF THE MAIN ELECTRICAL SUPPLY FROM THE MAIN FUSE BOX/CIRCUIT BREAKER BEFORE INSTALLATION.**

INSPECT ITEM CAREFULLY BEFORE ATTEMPTING TO INSTALL. IF THERE IS ANY DAMAGE OR OBVIOUS DEFECT. DO NOT INSTALL.

ITEM MAY NOT BE RETURNED ONCE IT HAS BEEN INSTALLED.

NOTE: CAREFULLY UNPACK EACH PIECE IN TOP LAYER OF PACKING PRIOR TO REMOVING. RETAIN ALL PACKING MATERIAL UNTIL INSPECTION AND INSTALLATION ARE FINAL.



TO assemble safety cables:

1. Join fixture safety cables with safety cable from ceiling.
2. Wrap both safety cable around the cable lock nut.
3. Insert screws into both holes on cable lock nut, secure screws with screwdriver.
4. Push the cable lock nut into outlet box.

12. Attach the glass shade (O) to the fixture body (K) and secure with metal bar (M) and screws (N & Q & P).

13. Installation is complete, turn on power at fuse or circuit breaker.

***Clean with a dry, soft cloth only. Use no harsh abrasives or chemical agents.

