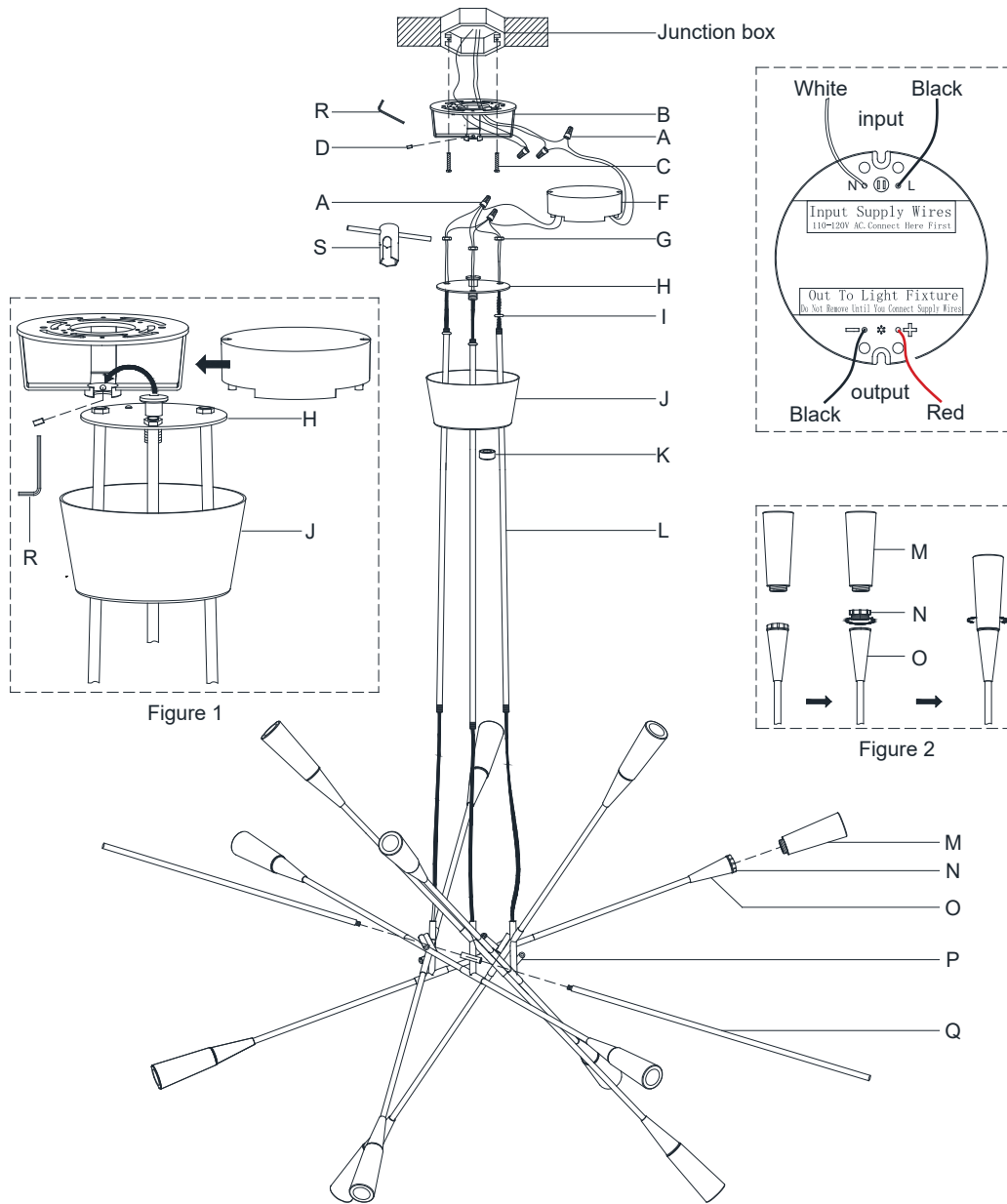


ASSEMBLY INSTRUCTIONS



Stellar Large Chandelier

Item # CHC 5600

WE RECOMMEND INSTALLATION OF THIS LIGHTING FIXTURE BE DONE BY A LICENSED ELECTRICIAN.

WARNING*SWITCH OFF THE MAIN ELECTRICAL SUPPLY FROM THE MAIN FUSE BOX/CIRCUIT BREAKER BEFORE INSTALLATION.**

INSPECT ITEM CAREFULLY BEFORE ATTEMPTING TO INSTALL. IF THERE IS ANY DAMAGE OR OBVIOUS DEFECT. DO NOT INSTALL.

ITEM MAY NOT BE RETURNED ONCE IT HAS BEEN INSTALLED.

NOTE: CAREFULLY UNPACK EACH PIECE IN TOP LAYER OF PACKING PRIOR TO REMOVING. RETAIN ALL PACKING MATERIAL UNTIL INSPECTION AND INSTALLATION ARE FINAL.

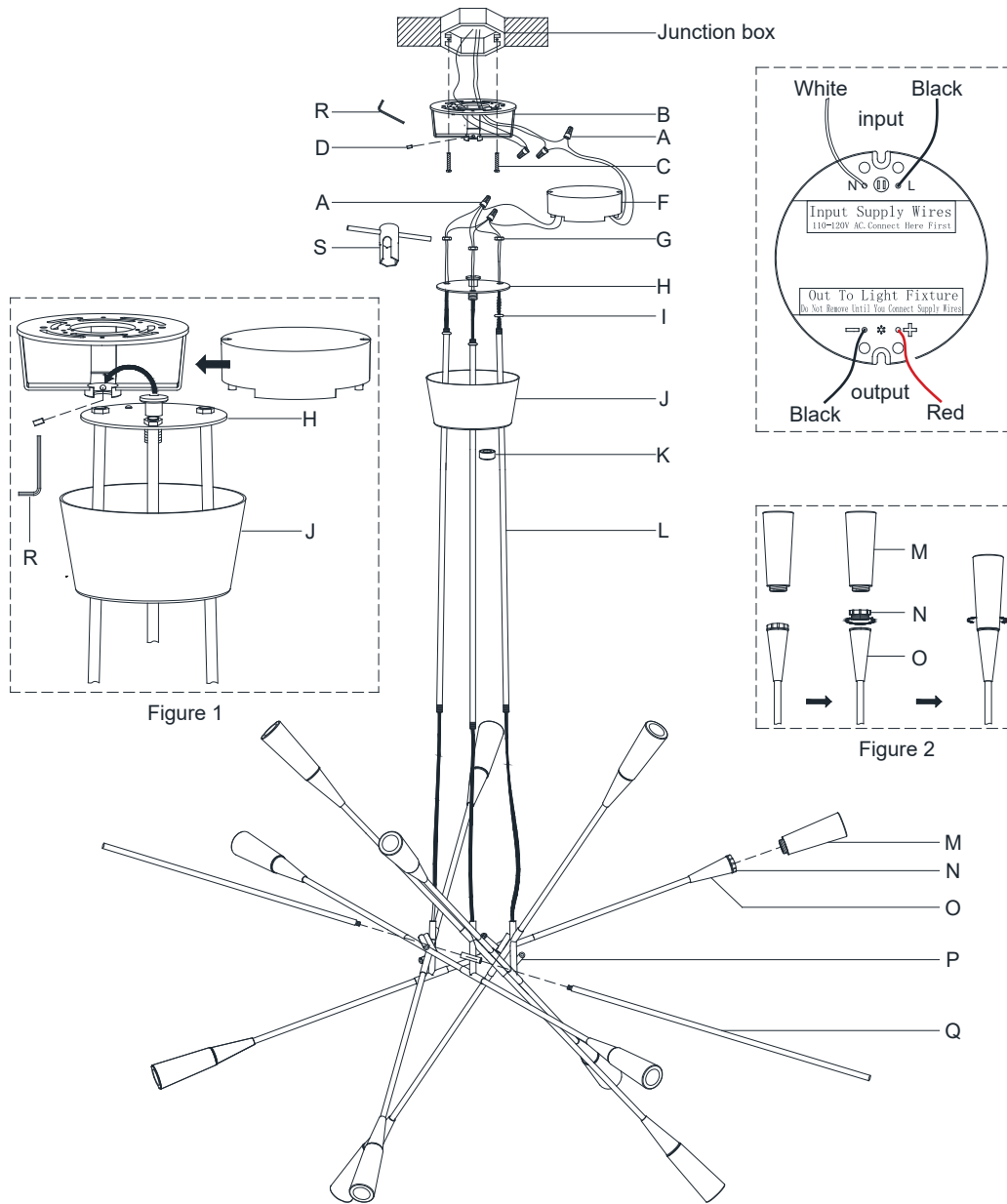
- Carefully remove all parts from the box.
- Remove the mounting plate (B) from the canopy (J) by unscrewing the finial (K).
- Install the mounting plate (B) to the junction box and secure with the mounting screws (C).
- Connect the junction box ground wire to the ground wire on the mounting plate (B) using the wire nut (A).

IT IS IMPERATIVE THAT THIS FIXTURE BE GROUNDED.

- Feed the fixture wires pass through the rods (L) one by one, then thread the rods (L) to the top of the fixture body (P).
- Let the rods (L) pass the holes on the canopy (J), then thread the check ring (I) to the top of the rods (L) and lock tight.
- Install the metal plate (H) to the rods (L) and secure with the lock nuts (G) using the T-wrench (S) provided.
- Raise the fixture body, hang the metal plate (H) to the mounting plate (B) and secure with the set screw (D) with using the L-wrench (R) provided as shown in figure 2.
- Connect the fixture black wires to the driver output black wire using the wire nut (A).
- Connect the fixture red wires to the driver output red wire using the wire nut (A).
- Connect the driver input white wire to the neutral wire in the junction box using the wire nut (A).
- Connect the driver input black wire to the hot wire in the junction box using wire nut (A).

DO NOT REVERSE THE HOT AND NEUTRAL CONNECTIONS OTHERWISE SAFETY WILL BE COMPROMISED.

ASSEMBLY INSTRUCTIONS



Stellar Large Chandelier

Item # CHC 5600

WE RECOMMEND INSTALLATION OF THIS LIGHTING FIXTURE BE DONE BY A LICENSED ELECTRICIAN.

WARNING*SWITCH OFF THE MAIN ELECTRICAL SUPPLY FROM THE MAIN FUSE BOX/CIRCUIT BREAKER BEFORE INSTALLATION.**

INSPECT ITEM CAREFULLY BEFORE ATTEMPTING TO INSTALL. IF THERE IS ANY DAMAGE OR OBVIOUS DEFECT. DO NOT INSTALL.

ITEM MAY NOT BE RETURNED ONCE IT HAS BEEN INSTALLED.

NOTE: CAREFULLY UNPACK EACH PIECE IN TOP LAYER OF PACKING PRIOR TO REMOVING. RETAIN ALL PACKING MATERIAL UNTIL INSPECTION AND INSTALLATION ARE FINAL.

13. Carefully tuck the wire connections into the junction box.
14. Carefully put the driver (F) into the mounting plate (B) from the open side.
15. Install the canopy (J) to the mounting plate (B) and secure with the finial (K).
16. Thread the metal bars (O) to the fixture body (P).
17. Unscrew the protective caps (N) from the socket covers (O), then install acrylic lens (M) by screwing clockwise to the socket covers (O) as shown in figure 2. Discard protective caps (N) after assembly.
18. Installation is complete, turn on power at fuse or circuit breaker.

***Clean with a dry, soft cloth only. Use no harsh abrasives or chemical agents.