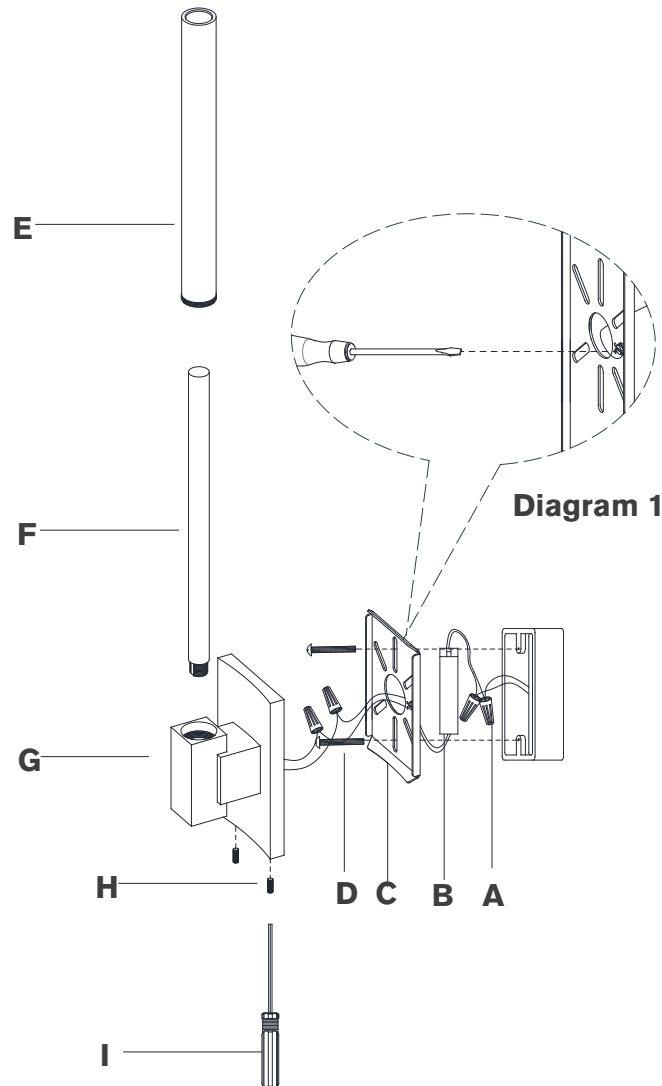


ASSEMBLY INSTRUCTIONS



Mafra Small Sconce

Item # IKF 2362

NOTICE:

This light fixture should be installed in accordance with all applicable, local installation codes, and by a person familiar with the construction and operation of it, as well as the hazards involved. Inspect item and contents carefully. If any damage or defect is found, do not install. Retain all packaging material until installation is complete and approved.

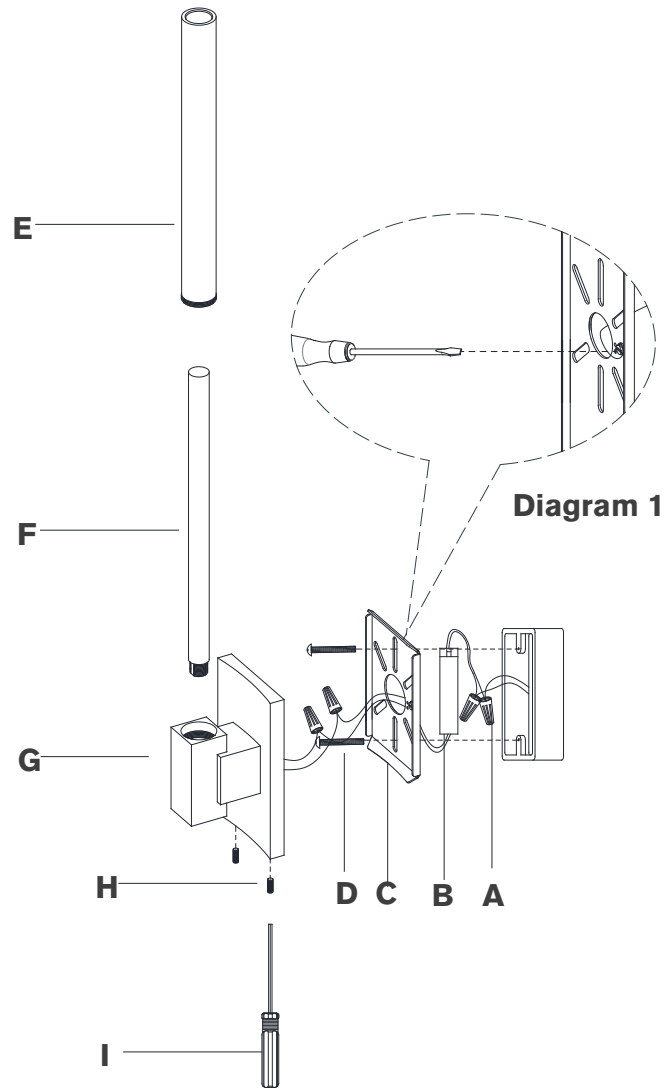
TOOLS REQUIRED (NOT INCLUDED):

Phillips Screwdriver

Slotted Screwdriver

1. Carefully remove all parts from the box. Place on a clean, soft surface.
2. Remove mounting plate (C) from fixture by removing set screws (H) using provided screwdriver (I).
3. Connect fixture neutral wire (black) to driver (B) output neutral wire (black) using wire nut (A).
4. Connect fixture hot wire (red) to driver (B) output hot wire (red) using wire nut (A).
5. Install mounting plate (C) to junction box and secure with mounting screws (D).
6. Insert driver (B) into junction box.
7. Connect supply ground wire (usually green or bare copper) around the green grounding screw (see diagram 1). Tighten.
NOTE: It is imperative that the fixture is grounded.
8. Connect driver (B) input neutral wire (white) to the supply neutral wire (usually white) using wire nut (A).
9. Connect driver (B) input hot wire (black) to the supply hot wire (usually black) using wire nut (A).
CAUTION: Do not reverse the hot and neutral connections.
10. Make sure all wire connections are tight, then carefully tuck driver (B) into the junction box.
11. Install fixture to mounting plate (C) and secure with set screws (H) using provided screwdriver (I).

ASSEMBLY INSTRUCTIONS



Mafra Small Sconce

Item # IKF 5360

NOTICE:

This light fixture should be installed in accordance with all applicable, local installation codes, and by a person familiar with the construction and operation of it, as well as the hazards involved. Inspect item and contents carefully. If any damage or defect is found, do not install. Retain all packaging material until installation is complete and approved.

12. Make sure all wire connections are tight, then carefully tuck into the junction box.
13. Install fixture to mounting plate **(C)** and secure with set screws **(H)** using provided screwdriver **(I)**.
14. Install LED bulb **(F)** to socket.
15. Thread shade **(E)** to fixture body **(G)**.

NOTE: Do not overtighten otherwise shade could become damaged.

Care Instructions: Clean only with a soft dry cloth or feather duster. Do not use abrasive or chemical agents.