

## ASSEMBLY INSTRUCTIONS

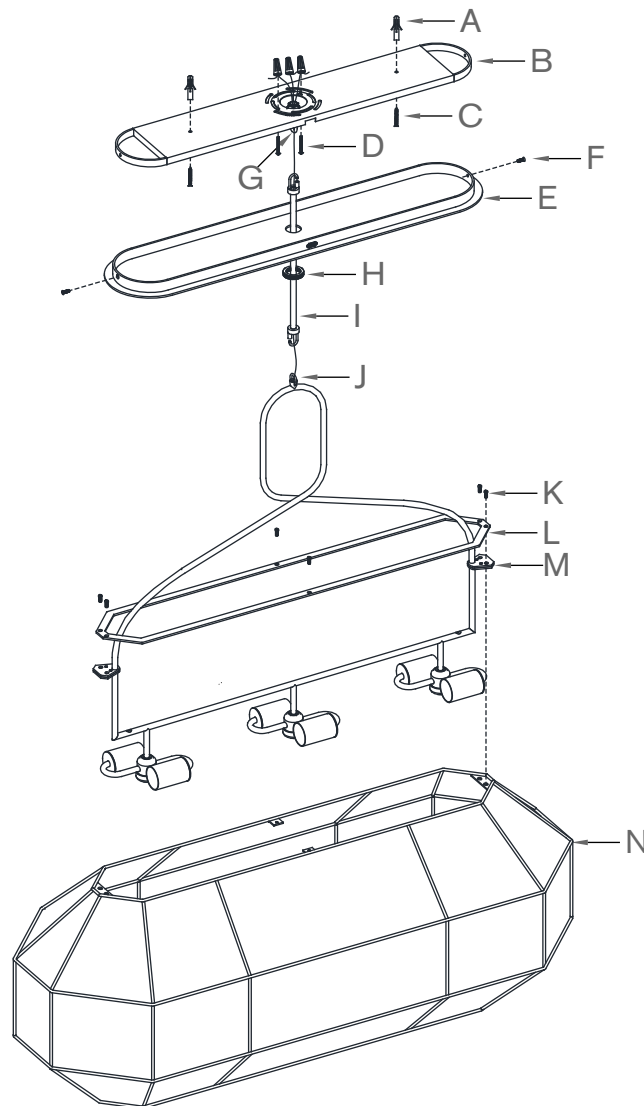
Forza Medium Gathered Linear Lantern  
Item # KW 5317

**WE RECOMMEND INSTALLATION OF THIS LIGHTING FIXTURE BE DONE BY A LICENSED ELECTRICIAN.**

**WARNING \*\*\* SWITCH OFF THE MAIN ELECTRICAL SUPPLY FROM THE MAIN FUSE BOX/CIRCUIT BREAKER BEFORE INSTALLATION.**

**INSPECT ITEM CAREFULLY BEFORE ATTEMPTING TO INSTALL. IF THERE IS ANY DAMAGE OR OBVIOUS DEFECT, DO NOT INSTALL.**

**ITEM MAY NOT BE RETURNED ONCE IT HAS BEEN INSTALLED.**



1. Carefully remove all parts from the carton.
2. Remove mounting plate (B) from canopy (E) by removing canopy screws (F).
3. Attach mounting plate (B) on the ceiling outlet box. Mark center points for mounting holes with a pencil on the ceiling. Remove mounting plate (B).
4. Drill small holes on each point location on the ceiling, each hole should be large enough to accommodate to the plastic anchor (A). Push plastic anchors (A) into the holes in the ceiling.
5. Affix mounting plate (B) to ceiling outlet box, aligning holes and secure by inserting mounting screws (D) to the holes of outlet box and screws (C) to the plastic anchors (A) in the ceiling. Insert light bulbs into sockets.
6. Remove screws (K) from top of lantern shade (N), insert socket assembly (L) into lantern shade (N), aligning the holes on (L), (M) with the holes on shade (N) and secure with screws (K).
7. Feed wires through the connection rod (I), canopy ring (H), canopy (E) and mounting loop (G).
8. Hook connection rod (I) on top loop (J).
9. Unscrew canopy ring (H), slide canopy ring (H) and canopy (E) on connection rod (I).
10. Attach top of connection rod (I) to mounting loop (G).
11. Attach the bare copper ground wire from the fixture to the ground junction box wire (usually green or copper), fasten together with a plastic wire connector. Tightly wrap the wire connector with electrical tape. Be sure no wire strands are exposed. IT IS IMPERATIVE THAT THE OUTLET BOX IN YOUR HOME BE PROPERLY GROUNDED.
12. Connect neutral wire from fixture (ribbed molded wire) to the neutral wire from the junction box (usually white). Fasten both wires together with a plastic wire connector and tightly wrap the wire connector with electrical tape. Be sure no wire strands are exposed.
13. Connect the hot wire from the fixture (smooth wire) to the hot wire (usually black) from the junction box. Fasten both together with a plastic wire connector and wrap the connection with electrical tape. DO NOT REVERSE THE HOT AND NEUTRAL CONNECTIONS OTHERWISE SAFETY WILL BE COMPROMISED.
14. Tuck the wire connections neatly into the ceiling outlet box.
15. Slip canopy (E) to ceiling and secure with canopy ring (H) and canopy screws (F).
16. Restore power and test fixture. Installation is complete.

\*\*\* Clean with a dry, soft cloth only. Use no harsh abrasives or chemical agents.