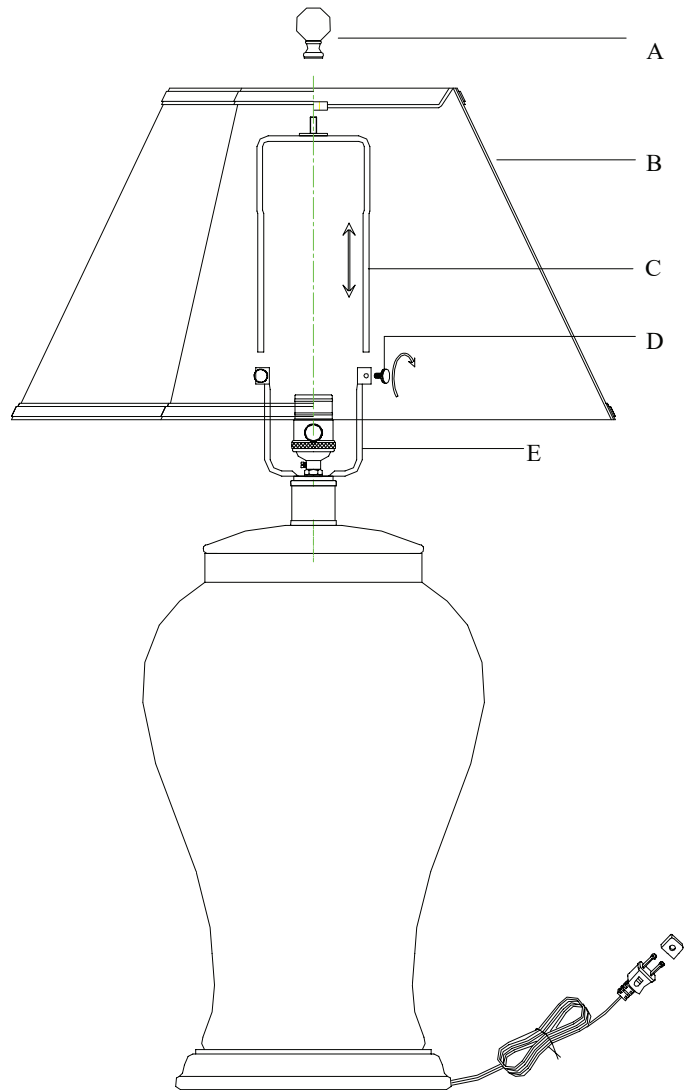


## ASSEMBLY INSTRUCTIONS



## Gable Table Lamp

Item # RL 15032

### NOTICE:

This light fixture should be installed in accordance with all applicable, local installation codes, and by a person familiar with the construction and operation of it, as well as the hazards involved. Inspect item and contents carefully. If any damage or defect is found, do not install. Retain all packaging material until installation is complete and approved.

1. Insert harp (C) into harp holder (E) harp can be adjusted by releasing/tightening the knob (D)
2. Remove finial (A) from harp (C)
3. Insert light bulb (not included) into socket
4. Place shade (B) over the bolt on top of harp (C). Secure it in place with the finial (A)
5. Plug in lamp to the electrical outlet.

**Care Instructions:** Clean only with a soft dry cloth or feather duster. Do not use abrasive or chemical agents.

# RALPH LAUREN

