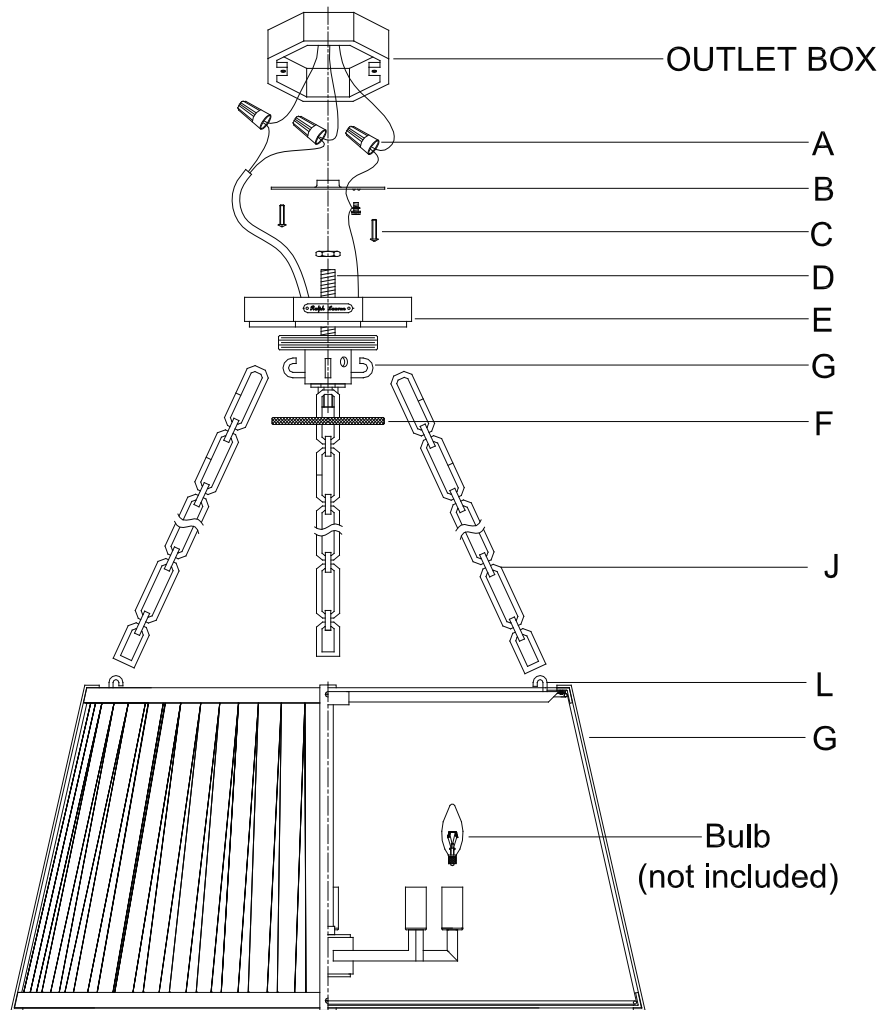


## ASSEMBLY INSTRUCTIONS



## Windsor Large Hanging Shade

Item # RL 5252

### NOTICE:

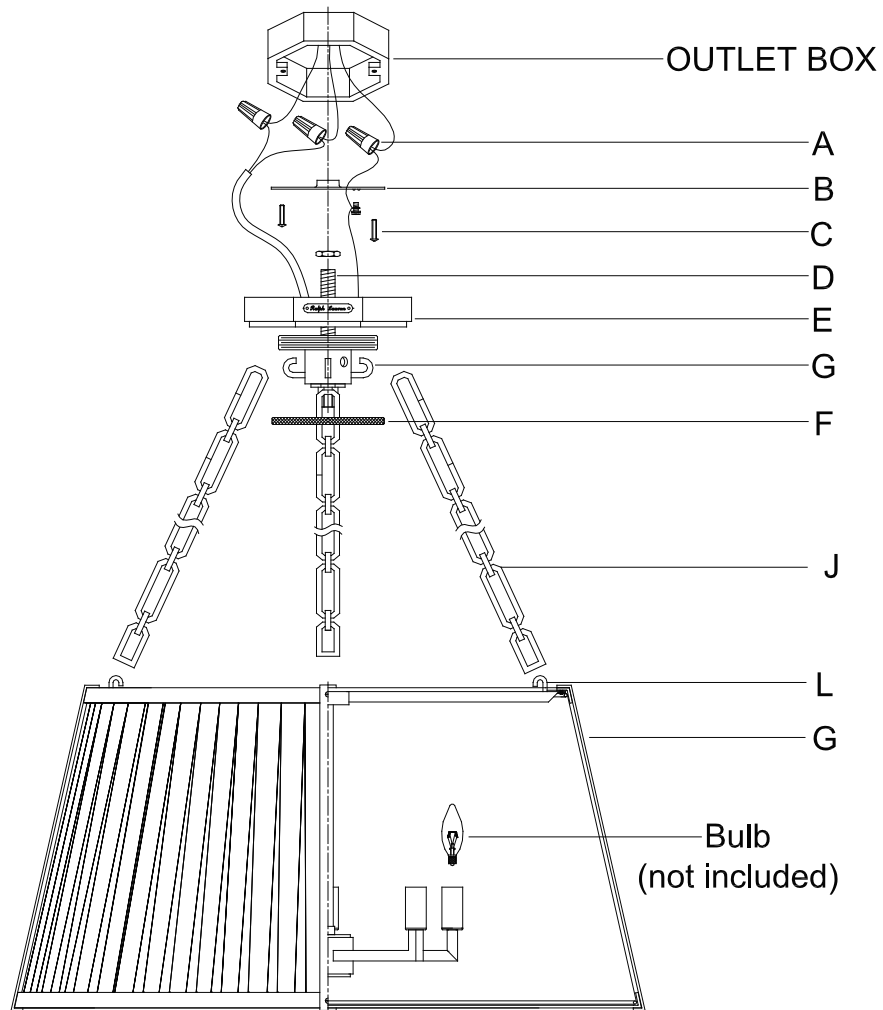
This light fixture should be installed in accordance with all applicable, local installation codes, and by a person familiar with the construction and operation of it, as well as the hazards involved. Inspect item and contents carefully. If any damage or defect is found, do not install. Retain all packaging material until installation is complete and approved.

1. Carefully remove all parts from the box.
2. Install the crossbar (B) to the outlet box by mounting screws (C) provided.
3. Let canopy (E) and lock collar (F) go through the thread nipple (D), then thread the thread nipple (D) onto the crossbar (B).
4. Hang the chain (J) one end to the hook (G), and other end to the hook (L).
5. Unwrap the wiring from the top of the fixture body. Weave the power supply cord and the ground wire through the chain (J).
6. When you reach the canopy, measure the wires then cut. Be certain to leave enough to connect inside of the outlet box.
7. Strip the insulation back on the two power supply wires about 5/8".
8. Twist the power supply and ground wire together and push through the center hole of the thread nipple (D).
9. Connect the fixture ground (bare) wire with the ground wire from the outlet box using wire nut (A). If your house does not have ground wire, then attach this wire to the green grounding screw inside of the outlet box.  
IT IS IMPERATIVE THAT THIS FIXTURE BE GROUNDED.
10. Connect the fixture Neutral wire (ribbed, no markings) with the neutral wire from the outlet box using wire nut (A).
11. Connect the fixture Hot (smooth edge, markings) wire with the hot wire from the outlet box using wire nut (A).  
DO NOT REVERSE THE HOT AND NEUTRAL CONNECTIONS OR SAFETY WILL BE COMPROMISED.

# RALPH LAUREN



## ASSEMBLY INSTRUCTIONS



## Windsor Large Hanging Shade

Item # RL 5252

### NOTICE:

This light fixture should be installed in accordance with all applicable, local installation codes, and by a person familiar with the construction and operation of it, as well as the hazards involved. Inspect item and contents carefully. If any damage or defect is found, do not install. Retain all packaging material until installation is complete and approved.

12. Tuck these wire connections neatly into the outlet box to secure.
13. Put canopy (E) to crossbar (B), and secure with lock collar (F).
14. Insert bulbs (not included) into the sockets.
15. Installation is complete, turn on power at fuse or circuit breaker.

Care Instructions: Clean only with a soft dry cloth or feather duster. Do not use abrasive or chemical agents.

# RALPH LAUREN

