

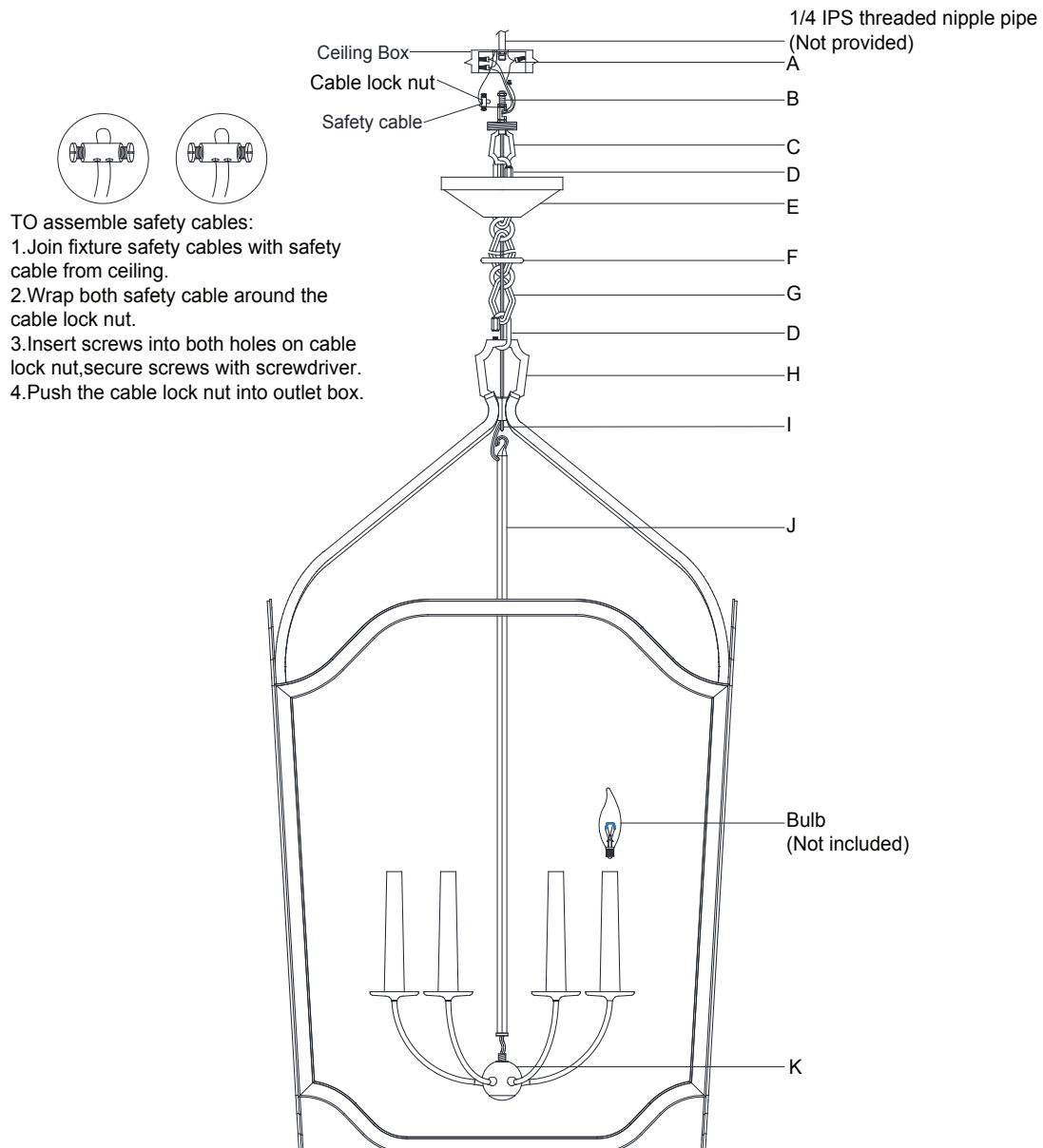
## ASSEMBLY INSTRUCTIONS

## Ancaster Grande Blacksmith Lantern

Item # RL 5783

### NOTICE:

This light fixture should be installed in accordance with all applicable, local installation codes, and by a person familiar with the construction and operation of it, as well as the hazards involved. Inspect item and contents carefully. If any damage or defect is found, do not install. Retain all packaging material until installation is complete and approved.



1. Carefully remove all parts from the box.
2. A 1/4 IPS pipe must be installed through the junction box and secured to a structural member of the building. This item must hang independently of the junction box. Then install the threaded nipple (B) into the 1/4 IPS PIPE.
3. Install the canopy (E) to collar loop (C) and secure with collar ring (F). If needed, adjust canopy height by loosening hex nuts and screwing collar loop (C) up or down then re-secure.
4. With the fixture desired height, shorten the chain (G) as needed using the chain pliers (not included).
5. Open the chain quick link (D), then attach the chain quick link (D) to the collar loop (C). Secure the chain quick link (D).
6. Open the chain quick link (D) from the opposite side then attach to the fixture loop (H). Secure the chain quick link (D).
7. Hang the fixture cluster hook (J) to the ring (I), then pass the fixture wires and safety cable through the hole.
8. Weave the fixture wires and safety cable through the chain (G).
9. When you reach the canopy (E) and collar loop (C), measure the wires then cut, be certain to leave enough length to connect the wires in the junction box.
10. Strip the insulation on the fixture wires about 5/8".
11. Loosen the collar ring (F) and let the canopy (E) slip down the chain (G) carefully.

# RALPH LAUREN



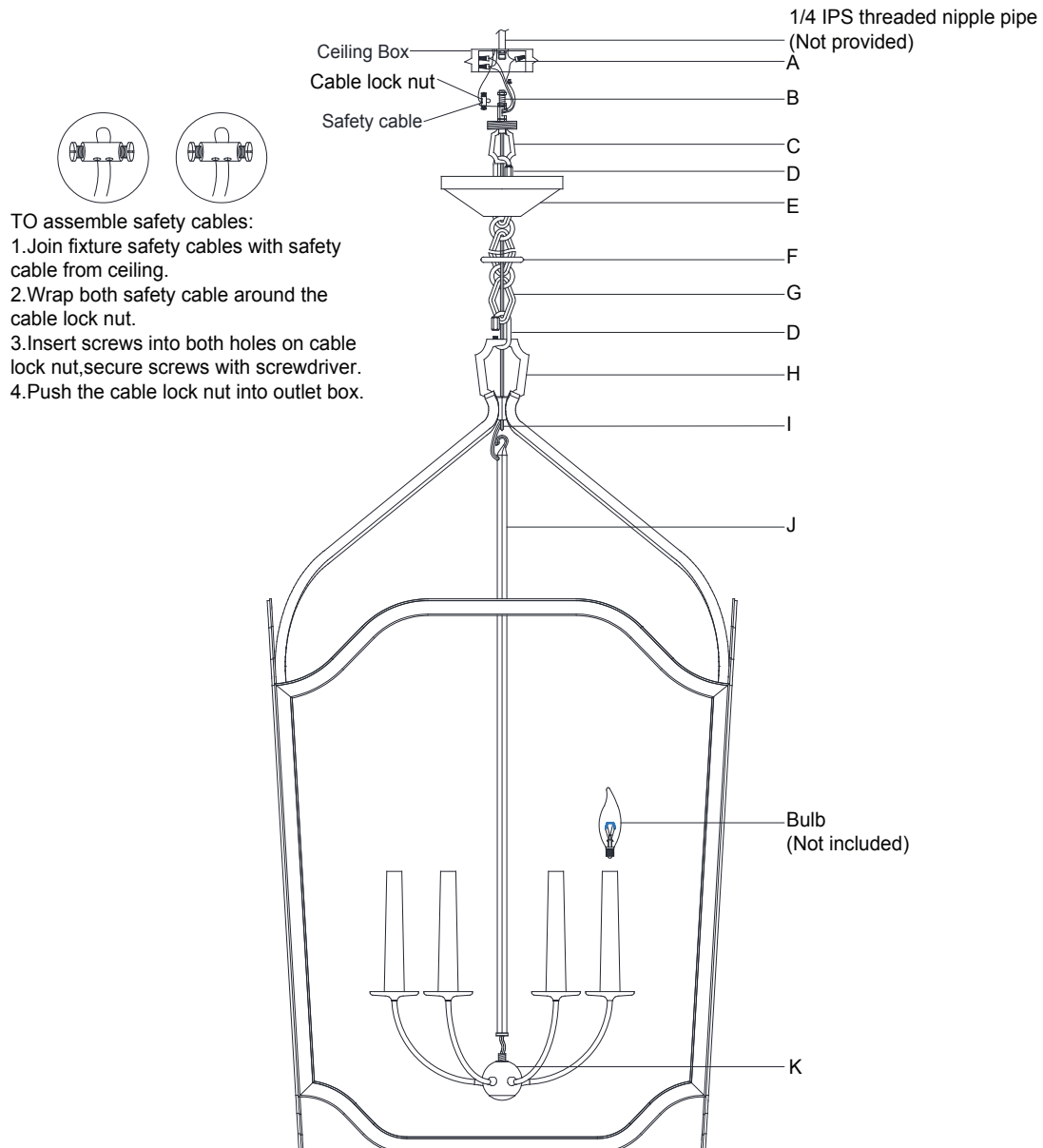
## ASSEMBLY INSTRUCTIONS

## Ancaster Grande Blacksmith Lantern

Item # RL 5783

### NOTICE:

This light fixture should be installed in accordance with all applicable, local installation codes, and by a person familiar with the construction and operation of it, as well as the hazards involved. Inspect item and contents carefully. If any damage or defect is found, do not install. Retain all packaging material until installation is complete and approved.



12. Twist the fixture wires together and push through the center hole of the collar loop (C).

13. Connect the fixture ground wire to the ground wire in the junction box using the wire nut (A).

IT IS IMPERATIVE THAT THIS FIXTURE BE GROUNDED.

14. Connect the fixture ribbed wire (no markings) to the neutral wire in the junction box using the wire nut (A).

15. Connect the fixture smooth wire (with markings) to the hot wire in the junction box using the wire nut (A).

DO NOT REVERSE THE HOT AND NEUTRAL CONNECTIONS OTHERWISE SAFETY WILL BE COMPROMISED.

16. Carefully tuck the wire connections into the junction box.

17. Install the canopy (E) to the junction box and secure with collar ring (F).

18. Insert bulbs (not included) into the sockets.

19. Installation is complete, turn on power at fuse or circuit breaker.

Care Instructions: Clean only with a soft dry cloth or feather duster. Do not use abrasive or chemical agents.

# RALPH LAUREN

