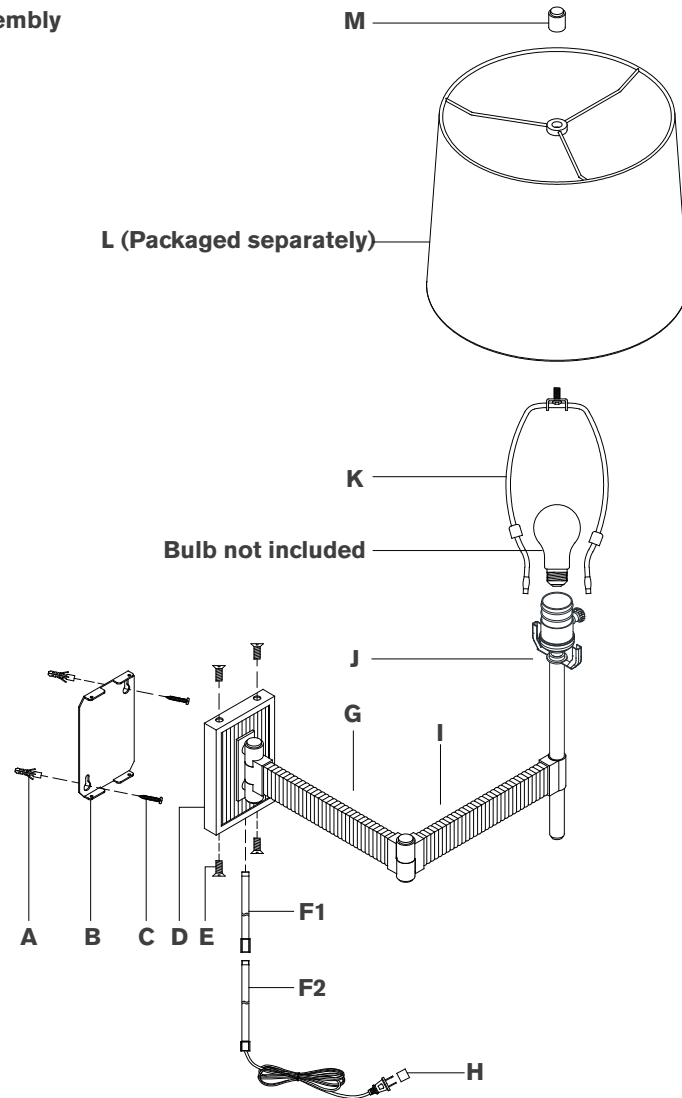


## ASSEMBLY INSTRUCTIONS

Portable assembly



## Elle Swing Arm Sconce

Item # SK 2556

### NOTICE:

This light fixture should be installed in accordance with all applicable, local installation codes, and by a person familiar with the construction and operation of it, as well as the hazards involved. Inspect item and contents carefully. If any damage or defect is found, do not install. Retain all packaging material until installation is complete and approved.

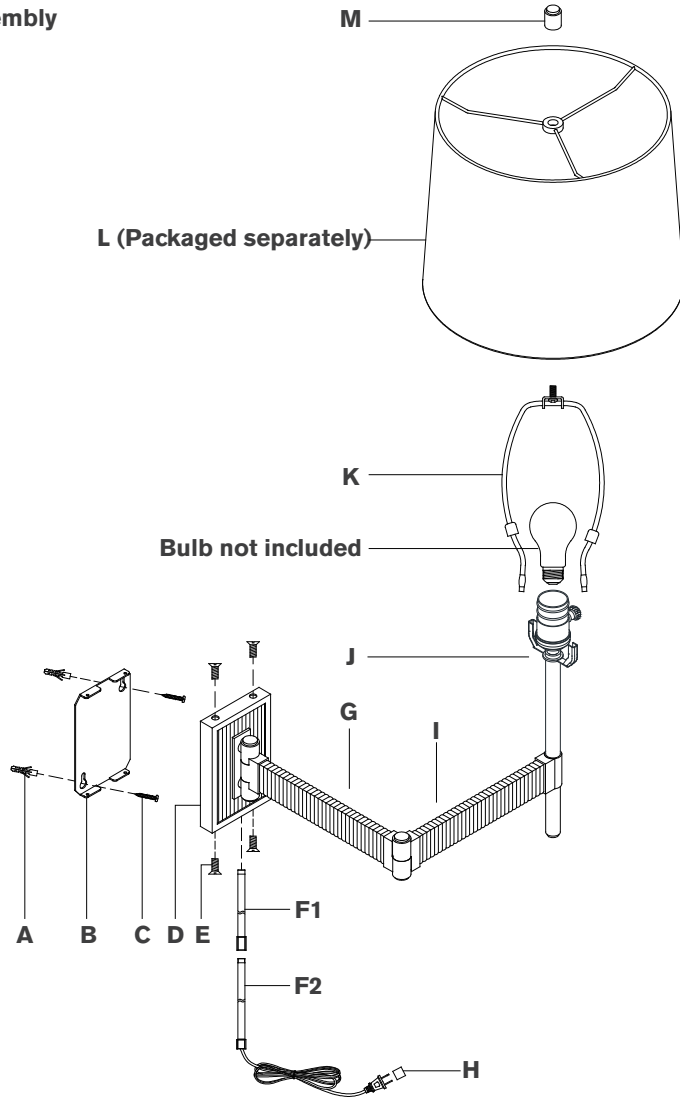
### TOOLS REQUIRED (NOT INCLUDED):

Phillips Screwdriver	Slotted Screwdriver	Drill
Pencil	Hammer	Scissors

1. Carefully remove all parts from the box. Place on a clean, soft surface.
  2. Remove portable mounting plate (B) from fixture (D) by removing screws (E).
  3. Using portable mounting plate (B) as a guide, mark anchor positions.
  4. Using a drill bit slightly smaller than the anchor, drill holes in the marked positions. Install anchors (A) into the holes using hammer.
  5. Install portable mounting plate (B) to wall anchors using wood screws (C), then secure fixture (D) to portable mounting plate (B) using screws (E).
  6. Thread cord covers (F1) & (F2) to fixture (D).
  7. Install harp (K) by squeezing together and inserting into the top of saddle (J).
  8. Remove finial (M) from harp (K).
  9. Remove shade (L) from packaging and install to harp (K) using finial (M).
  10. Install light bulb into the socket.
- NOTE:** If shade has additional packaging, carefully cut off from interior of shade to avoid damages.

## ASSEMBLY INSTRUCTIONS

Portable assembly



## Elle Swing Arm Sconce

Item # SK 2556

### NOTICE:

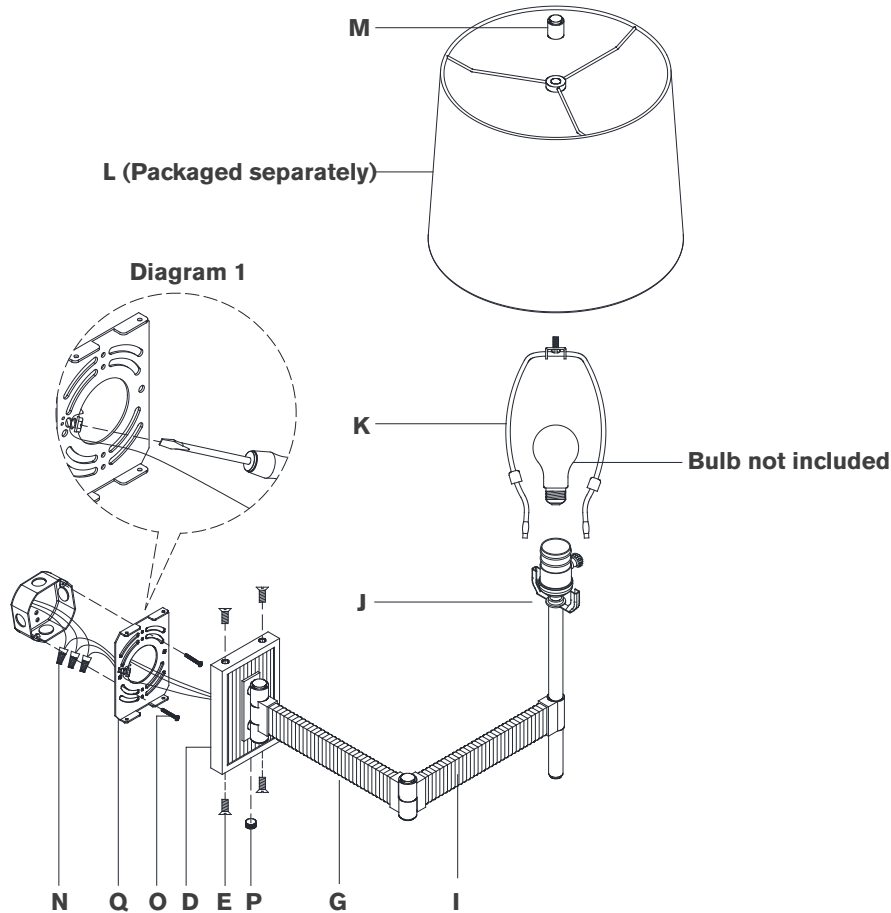
This light fixture should be installed in accordance with all applicable, local installation codes, and by a person familiar with the construction and operation of it, as well as the hazards involved. Inspect item and contents carefully. If any damage or defect is found, do not install. Retain all packaging material until installation is complete and approved.

11. Swing arms **(G) & (I)** to desired angle.
12. Remove protective cover **(H)** from plug.
13. Plug into electrical outlet and test the fixture.

**Care Instructions:** Clean only with a soft dry cloth or feather duster. Do not use abrasive or chemical agents.

## ASSEMBLY INSTRUCTIONS

### Hardwire assembly



## Elle Swing Arm Sconce

Item # SK 2556

### NOTICE:

This light fixture should be installed in accordance with all applicable, local installation codes, and by a person familiar with the construction and operation of it, as well as the hazards involved. Inspect item and contents carefully. If any damage or defect is found, do not install. Retain all packaging material until installation is complete and approved.

### TOOLS REQUIRED (NOT INCLUDED):

Phillips Screwdriver

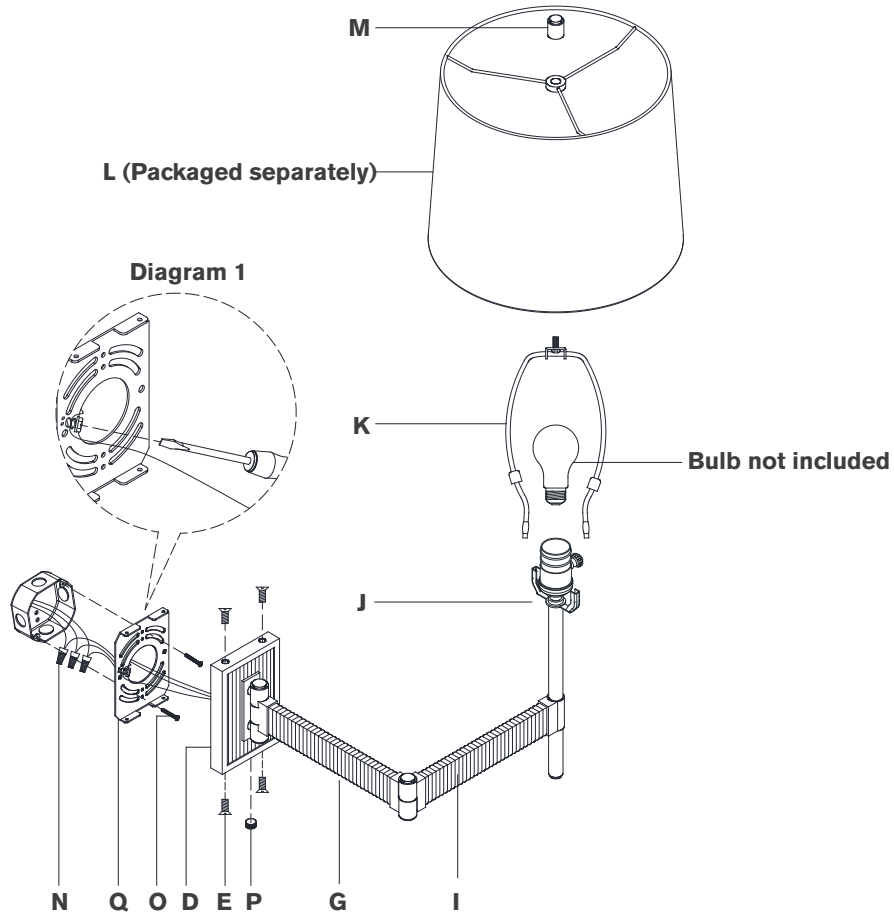
Slotted Screwdriver

Scissors

1. Carefully remove all parts from the box. Place on a clean, soft surface.
2. Remove portable mounting plate (B) from fixture (D) by removing screws (E).
3. Install hardwire mounting plate (Q) (located inside packaging) to the junction box and secure with mounting screws (O).
4. Remove cord covers and portable cord by loosening the wire nuts.
5. Insert direct wire plug (P) to the bottom of fixture (D).
6. Wrap fixture ground wire (bare copper) around the green grounding screw (see diagram 1). Tighten. Continue fixture ground wire and connect to supply ground wire (usually green or bare copper) using wire nut (N).
- NOTE:** It is imperative that the fixture is grounded.
7. Connect fixture neutral wire (white) to the supply neutral wire (usually white) using wire nut (N).
8. Connect the fixture hot wire (black) to the supply hot wire (usually black) using the wire nut (N).
- CAUTION:** Do not reverse the hot and neutral connections.
9. Make sure all wire connections are tight, then carefully tuck into the junction box.
10. Install fixture (D) to mounting plate (Q) and secure with screws (E).

## ASSEMBLY INSTRUCTIONS

### Hardwire assembly



## Elle Swing Arm Sconce

Item # SK 2556

### NOTICE:

This light fixture should be installed in accordance with all applicable, local installation codes, and by a person familiar with the construction and operation of it, as well as the hazards involved. Inspect item and contents carefully. If any damage or defect is found, do not install. Retain all packaging material until installation is complete and approved.

11. Install harp (**K**) by squeezing together and inserting into the top of saddle (**J**).
12. Remove finial (**M**) from harp (**K**).
13. Remove shade (**L**) from packaging and install to harp (**K**) using finial (**M**).

**NOTE:** If shade has additional packaging, carefully cut off from interior of shade to avoid damages.

14. Install light bulb into the socket.
15. Swing arms (**G** & **I**) to desired angle.

**Care Instructions:** Clean only with a soft dry cloth or feather duster. Do not use abrasive or chemical agents.